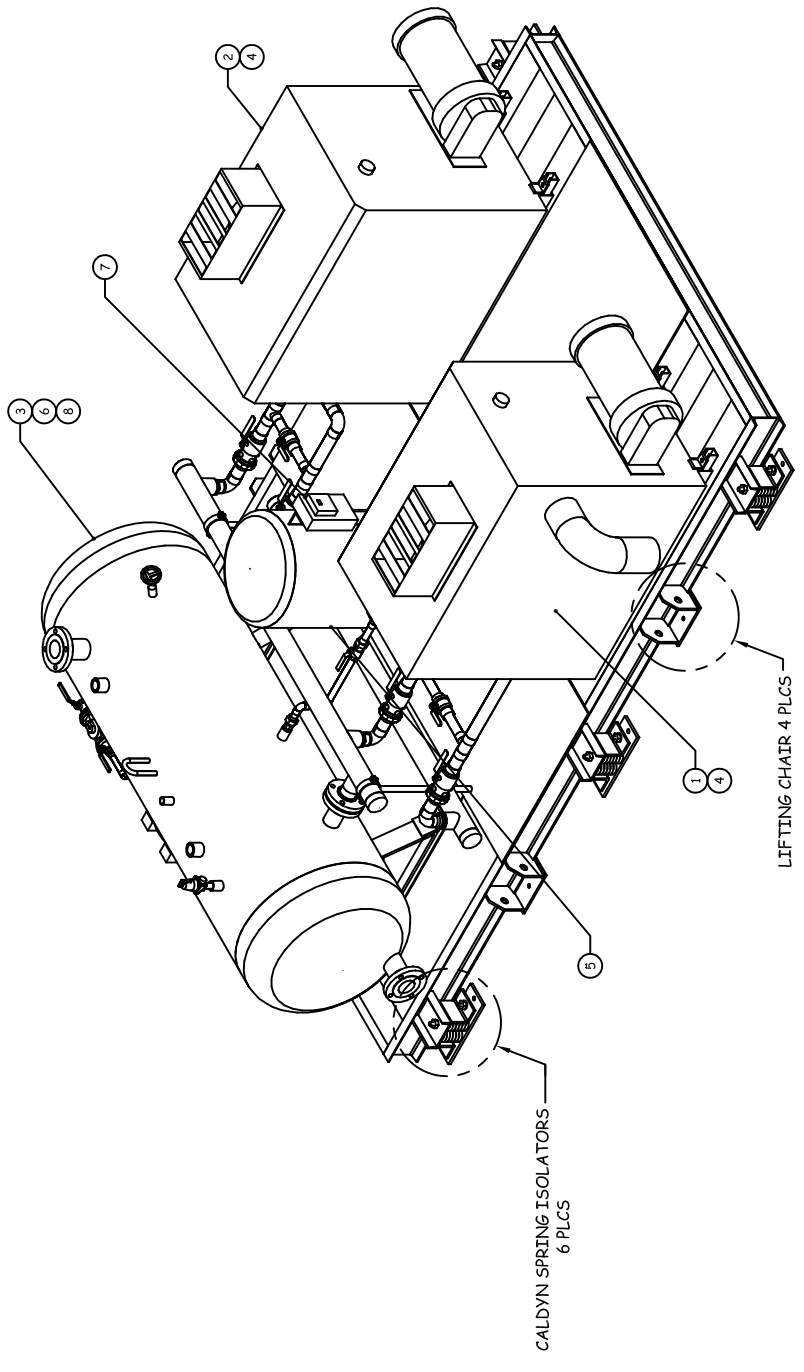
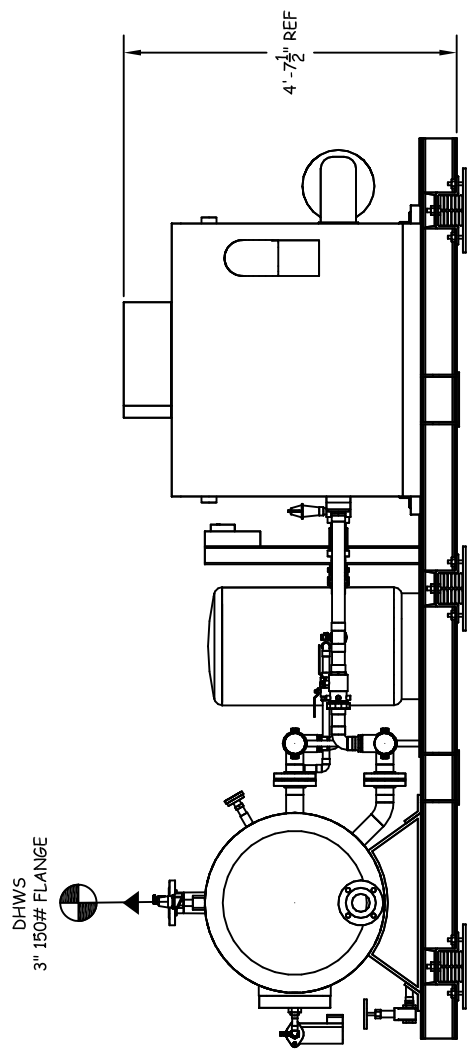


TOP VIEW

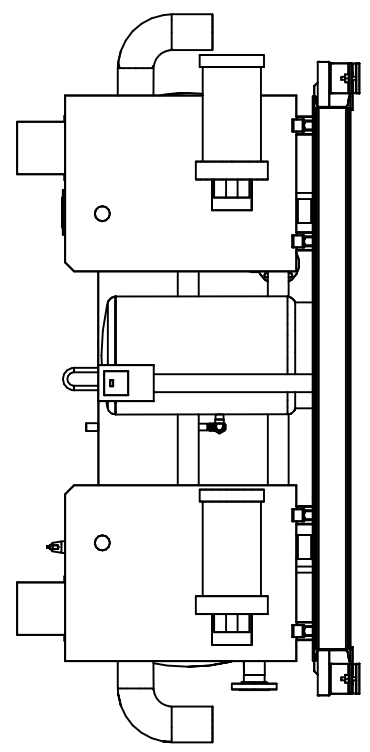


CALDYN SPRING ISOLATORS
6 PLCS

LIFTING CHAIR 4 PLCS



FRONT VIEW



RIGHT END VIEW

DESIGN NOTES:

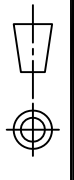
- (1) COMPLETE SYSTEM TO BE HYDRO TESTED TO 125 PSI PRIOR TO SHIPPING.
- (2) STEEL FRAME AND COMPONENTS TO RECEIVE TWO COATS OF GRAY MACHINE ENAMEL.
- (3) ALL WELDED WATER PIPING TO BE WELDED IN ACCORDANCE TO ASME B31.9
- (4) COMPLETE PACKAGE SYSTEM TO BE UL LISTED.

☉ = DENOTES CONTRACTOR POINT OF CONNECTION

UL LISTED
PACKAGED PUMPING SYSTEMS
&
HEAT TRANSFER SYSTEMS

APPROXIMATE SHIPPING WEIGHT: LBS.
APPROXIMATE OPERATING WEIGHT: LBS.

THIS DRAWING AND THE INFORMATION CONTAINED HEREIN ARE THE PROPERTY OF FLOWTHERM SYSTEMS, A DIVISION OF CALIFORNIA HYDRONICS CORP. COPIES ARE ISSUED IN STRICT CONFIDENCE AND SHALL NOT BE REPRODUCED OR COPIED, OR USED AS THE BASIS FOR THE MANUFACTURING OR SALE OF PRODUCT WITHOUT PRIOR WRITTEN PERMISSION OF CALIFORNIA-HYDRONICS CORP.



JOB NAME:
CONTRACTOR:

DRWN. DATE CKD. APPROVED
TOLERANCES UNLESS OTHERWISE SPECIFIED
DEC. FRA. ANGLE SIZE SCALE
.500" 1/2" 5° D

FlowTHERM Systems

DRAWING TITLE:
DOMESTIC HOT WATER SYSTEM

FAB No.	DRAWING No.	REV