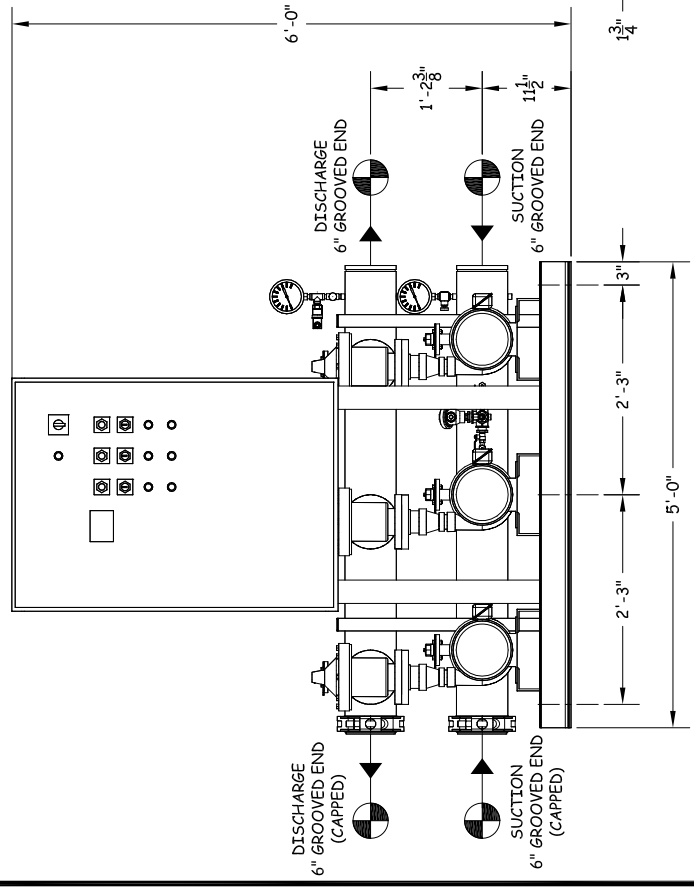
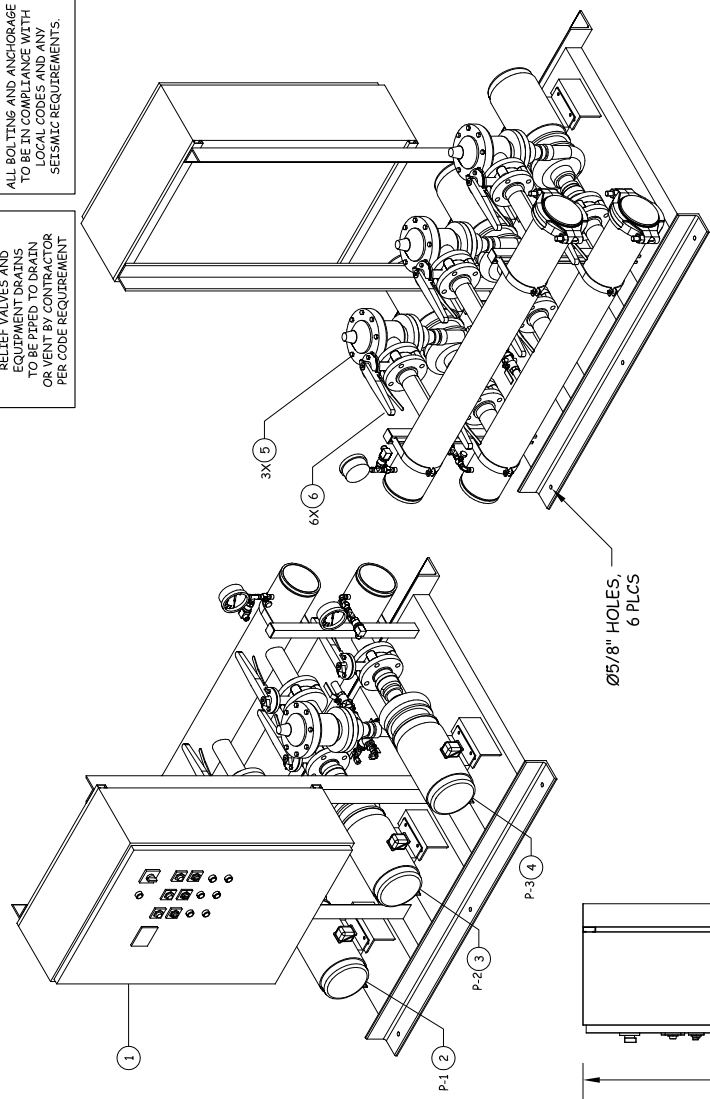
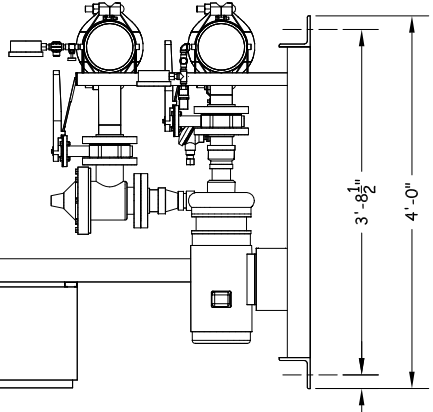


RELIEF VALVES AND ANCHORAGE EQUIPMENT DRAINS TO BE FIRED TO DRAIN OR TO ANCHORAGE PER CODE REQUIREMENT.

ALL BOLTING AND ANCHORAGE TO BE IN COMPLIANCE WITH LOCAL CODES AND ANY SEISMIC REQUIREMENTS.



FRONT VIEW



RIGHT END VIEW

- GPM		- PSI		- PSI						
TOTAL FLOW		TOTAL DISCHARGE PRESSURE		AVAILABLE PRESSURE						
TOTAL SYSTEM CAPACITY										
3	P-3	600LBS	1 1/2" X 2'-6"	-	3	3500	460 / 60 / 3	TEFC/P.E.		
2	P-2	600LBS	1 1/2" X 2'-6"	-	3	3500	460 / 60 / 3	TEFC/P.E.		
1	P-1	600LBS	1 1/2" X 2'-6"	-	3	3500	460 / 60 / 3	TEFC/P.E.		
ITEM	TAG	MANUFACTURER	SERIES	MODEL	GPM	TDH	HP	RPM	VOLTS/HZ/PH	ENCLOSURE

PUMP SCHEDULE

FLOWTHERM systems
HAYWARD, CALIFORNIA

PROJECT NAME: _____
CUSTOMER: _____
DRAWN BY DATE: CH/18/16
CHECKED BY: _____
APPROVED BY: _____
TOLERANCES UNLESS OTHERWISE SPECIFIED:
DEC. .500" FRACTION 1/2" ANGLE 5° SCALE 1" = 1'-0"
DRAWING No. FEV3-10
FAB No. _____
REV. A

THIS DRAWING AND THE INFORMATION DEPICTED THEREIN IS THE PROPERTY OF FLOWTHERM SYSTEMS, A DIVISION OF CHC. COPIES ARE ISSUED IN STRICT CONFIDENCE AND ARE NOT TO BE REPRODUCED, COPIED, OR USED AS THE BASIS FOR MANUFACTURING OR SALE OF PRODUCT WITHOUT PRIOR WRITTEN PERMISSION OF CHC.

UL LISTED
PACKAGED PUMPING SYSTEMS & HEAT TRANSFER SYSTEMS

APPROXIMATE SHIPPING WEIGHT: 1,499 LBS.
APPROXIMATE OPERATING WEIGHT: 1,679 LBS.

GENERAL NOTES:
(1) SINGLE POINT POWER CONNECTION AT CONTROL PANEL.
(2) HYDRO PRESSURE CHECK AT 125 PSI.
(3) ASSEMBLED SYSTEM TO BE PAINTED WITH INDUSTRIAL MACHINE ENAMEL PRIOR TO SHIPMENT.

○ = DENOTES CONTRACTOR POINT OF CONNECTION

42" SERVICE CLEARANCE REQUIRED IN FRONT OF CONTROL PANEL