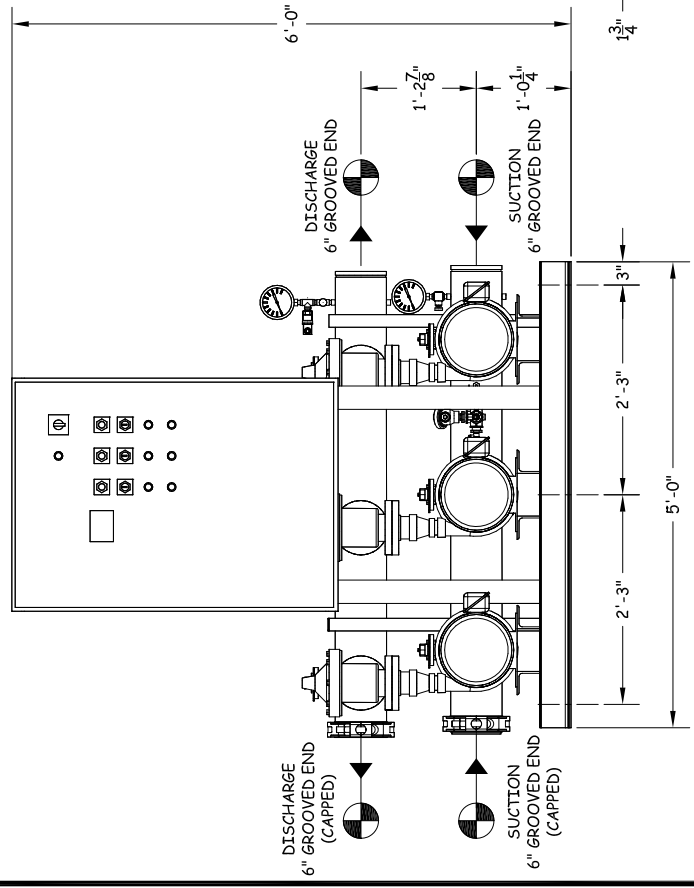
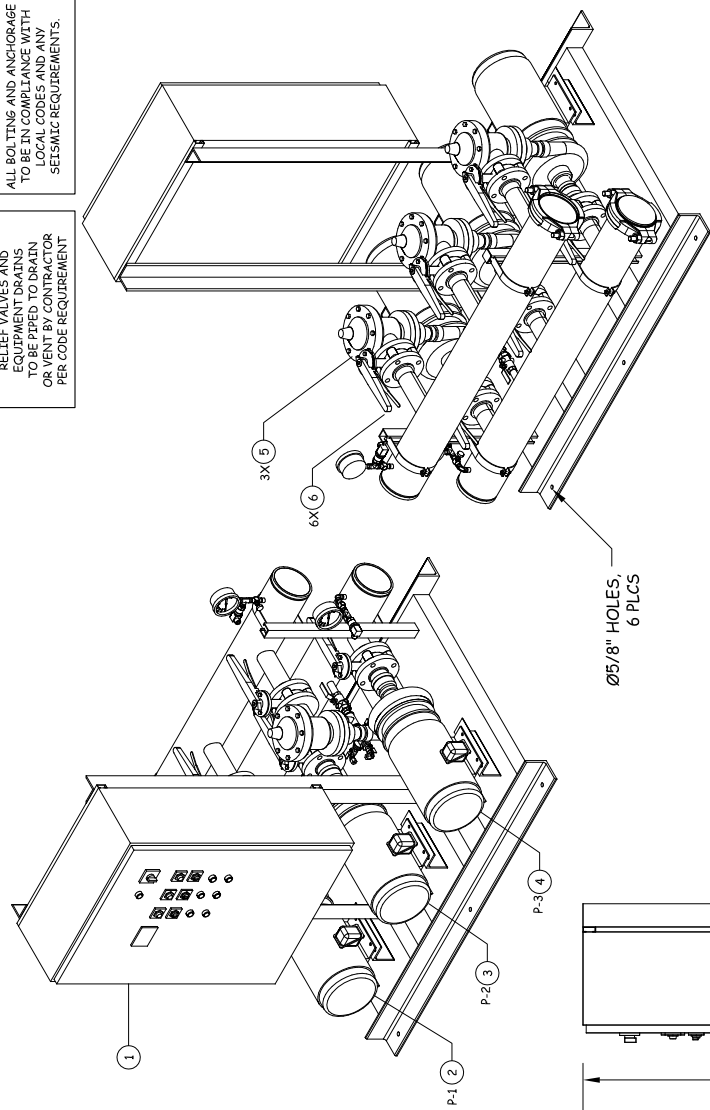
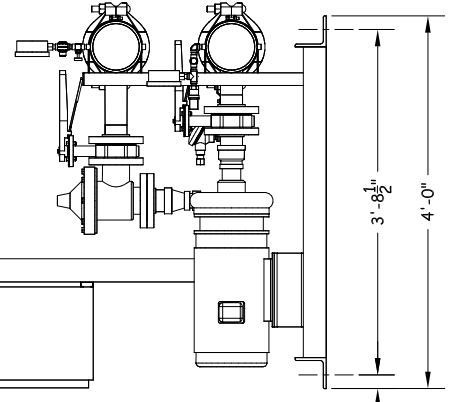


RELIEF VALVES AND ANCHORAGE EQUIPMENT DRAINS TO BE FIRED TO DRAIN OR TO ANCHORAGE PER CODE REQUIREMENT.

ALL BOLTING AND ANCHORAGE TO BE IN COMPLIANCE WITH LOCAL CODES AND ANY SEISMIC REQUIREMENTS.



FRONT VIEW



RIGHT END VIEW

- GPM		- PSI		- PSI	
TOTAL FLOW		TOTAL DISCHARGE PRESSURE		AVAILABLE PRESSURE	
TOTAL SYSTEM CAPACITY					
3	P-3	600LBS	1 1/2 X 2 - 8	-	7 1/2
2	P-2	600LBS	1 1/2 X 2 - 8	-	7 1/2
1	P-1	600LBS	1 1/2 X 2 - 8	-	7 1/2
ITEM	TAG	MANUFACTURER	SERIES	MODEL	GPM TDH HP RPM VOLTS/Hz/PH ENCLOSURE

- GPM		- PSI		- PSI	
TOTAL FLOW		TOTAL DISCHARGE PRESSURE		AVAILABLE PRESSURE	
TOTAL SYSTEM CAPACITY					
3	P-3	600LBS	1 1/2 X 2 - 8	-	7 1/2
2	P-2	600LBS	1 1/2 X 2 - 8	-	7 1/2
1	P-1	600LBS	1 1/2 X 2 - 8	-	7 1/2
ITEM	TAG	MANUFACTURER	SERIES	MODEL	GPM TDH HP RPM VOLTS/Hz/PH ENCLOSURE

- GPM		- PSI		- PSI	
TOTAL FLOW		TOTAL DISCHARGE PRESSURE		AVAILABLE PRESSURE	
TOTAL SYSTEM CAPACITY					
3	P-3	600LBS	1 1/2 X 2 - 8	-	7 1/2
2	P-2	600LBS	1 1/2 X 2 - 8	-	7 1/2
1	P-1	600LBS	1 1/2 X 2 - 8	-	7 1/2
ITEM	TAG	MANUFACTURER	SERIES	MODEL	GPM TDH HP RPM VOLTS/Hz/PH ENCLOSURE

PROJECT NAME: _____
 CUSTOMER: _____
 DRAWN BY DATE: CH/18/16
 CHECKED BY: _____
 APPROVED BY: _____
 TOLERANCES UNLESS OTHERWISE SPECIFIED:
 DEC. 500" 1/2" ANGLE 5" SCALE 1" = 1'-0"
 FAB No. _____ DRAWING No. FEV3-12
 REV A

THIS DRAWING AND THE INFORMATION DEPICTED THEREIN IS THE PROPERTY OF FLOW-THERM SYSTEMS, A DIVISION OF CHC. COPIES ARE ISSUED IN STRICT CONFIDENCE AND ARE NOT TO BE REPRODUCED, COPIED, OR USED AS THE BASIS FOR MANUFACTURING OR SALE OF PRODUCT WITHOUT PRIOR WRITTEN PERMISSION OF CHC.

LISTED
 PACKAGED PUMPING SYSTEMS
 & HEAT TRANSFER SYSTEMS

UL

APPROXIMATE SHIPPING WEIGHT: 1,719 LBS
 APPROXIMATE OPERATING WEIGHT: 1,898 LBS

GENERAL NOTES:
 (1) SINGLE POINT POWER CONNECTION AT CONTROL PANEL.
 (2) HYDRO PRESSURE CHECK AT 125 PSI.
 (3) ASSEMBLED SYSTEM TO BE PAINTED WITH INDUSTRIAL MACHINE ENAMEL PRIOR TO SHIPMENT.
 - DENOTES CONTRACTOR POINT OF CONNECTION

FLOW-THERM systems
 HAYWARD, CALIFORNIA

VARIABLE SPEED TRIPLE X PRESSURE BOOSTER