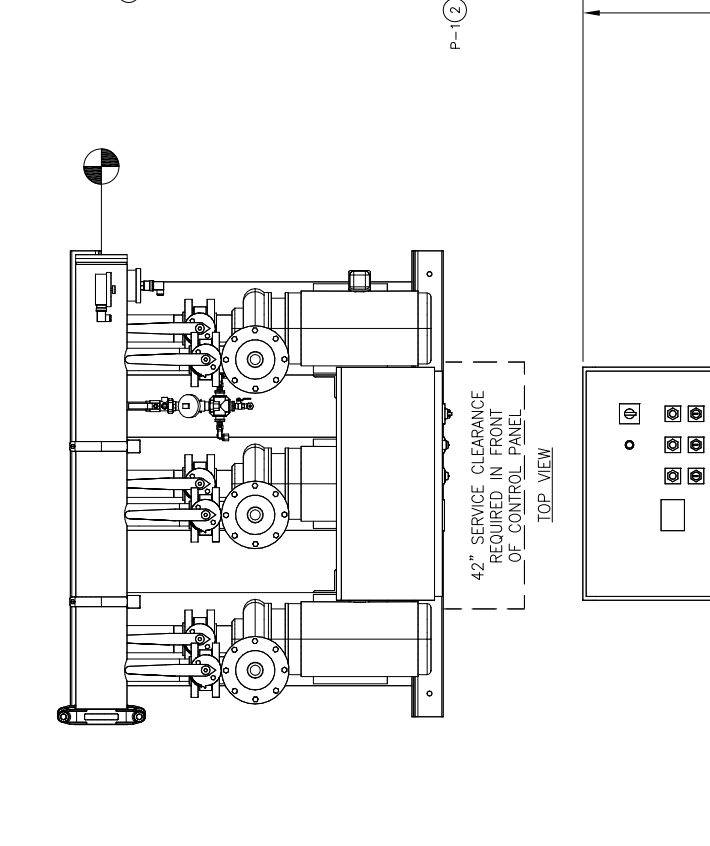
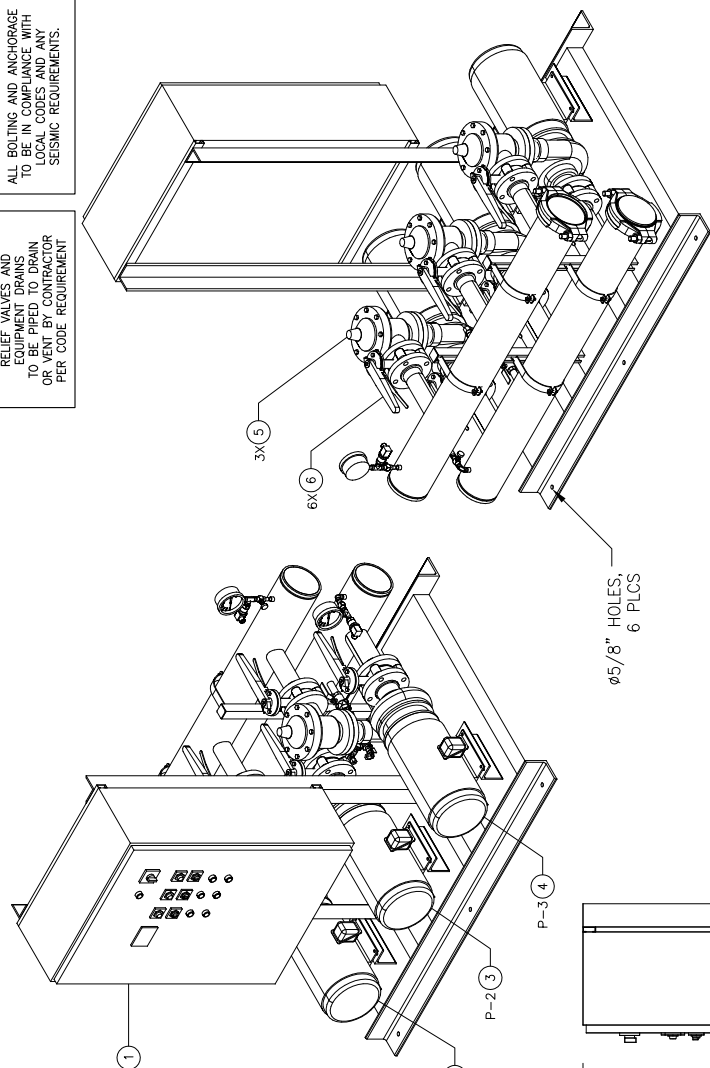
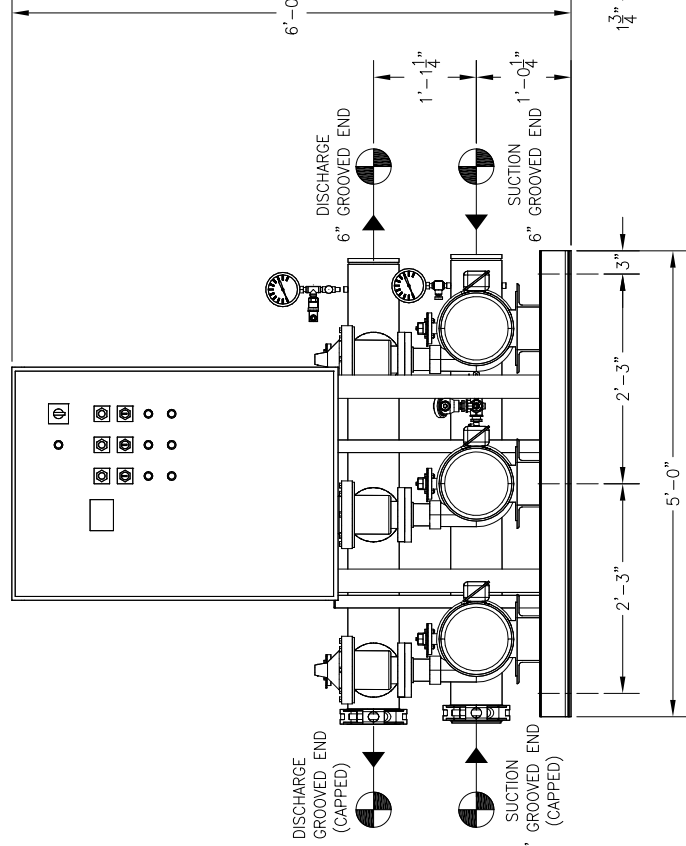
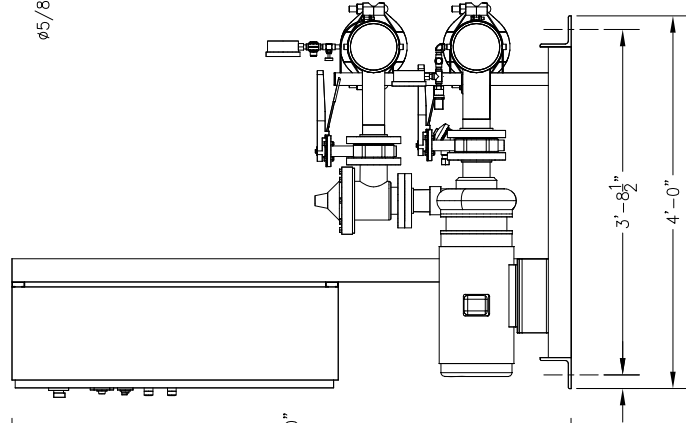


RELIEF VALVES AND EQUIPMENT DRAINS TO BE PIPED TO DRAIN OR TO AT LEAST PER CODE REQUIREMENT.

ALL BOLTING AND ANCHORAGE TO BE IN COMPLIANCE WITH LOCAL CODES AND ANY SEISMIC REQUIREMENTS.



- GPM		- PSI		- PSI									
TOTAL FLOW		TOTAL DISCHARGE PRESSURE		AVAILABLE PRESSURE									
4	P-3	GOULDS	2 1/2 X 3-7	-	10	3500	460	/	60	/	3	TEFC	P.E.
3	P-2	GOULDS	2 1/2 X 3-7	-	10	3500	460	/	60	/	3	TEFC	P.E.
2	P-1	GOULDS	2 1/2 X 3-7	-	10	3500	460	/	60	/	3	TEFC	P.E.
ITEM	TAG	MANUFACTURER	SERIES	MODEL	GPM	TDH	HP	RPM	VOLTS/HZ	PH	ENCLOSURE	PUMP SCHEDULE	



PROJECT NAME:
 CUSTOMER:
 DRAWN BY DATE: 05/18/16
 CHECKED BY APPROVED BY:
 TOLERANCES UNLESS OTHERWISE SPECIFIED
 DEC. .500" FRACTION 1/2" ANGLE 5" SCALE 1" = 1'-0"

THE DRAWING AND THE INFORMATION DEPICTED THEREIN IS THE PROPERTY OF FLOWTHERM SYSTEMS, A DIVISION OF CHC. COPIES ARE MADE FOR FIELD USE ONLY AND ARE NOT TO BE USED FOR MANUFACTURING OR SALE OF THE PRODUCT WITHOUT PRIOR WRITTEN PERMISSION OF CHC.

UL LISTED
 PACKAGED PUMPING SYSTEMS & HEAT TRANSFER SYSTEMS

GENERAL NOTES:
 (1) SINGLE POINT POWER CONNECTION AT CONTROL PANEL.
 (2) HYDRO PRESSURE CHECK AT 125 PSI.
 (3) ASSEMBLED SYSTEM TO BE PAINTED WITH INDUSTRIAL MACHINE ENAMEL PRIOR TO SHIPMENT.

APPROXIMATE SHIPPING WEIGHT: 1,809 LBS.
 APPROXIMATE OPERATING WEIGHT: 1,989 LBS.

□ = DENOTES CONTRACTOR POINT OF CONNECTION



DRAWING TITLE: VARIABLE SPEED TRIPLEX PRESSURE BOOSTER
 DRAWING No. FEV3-15
 REV A