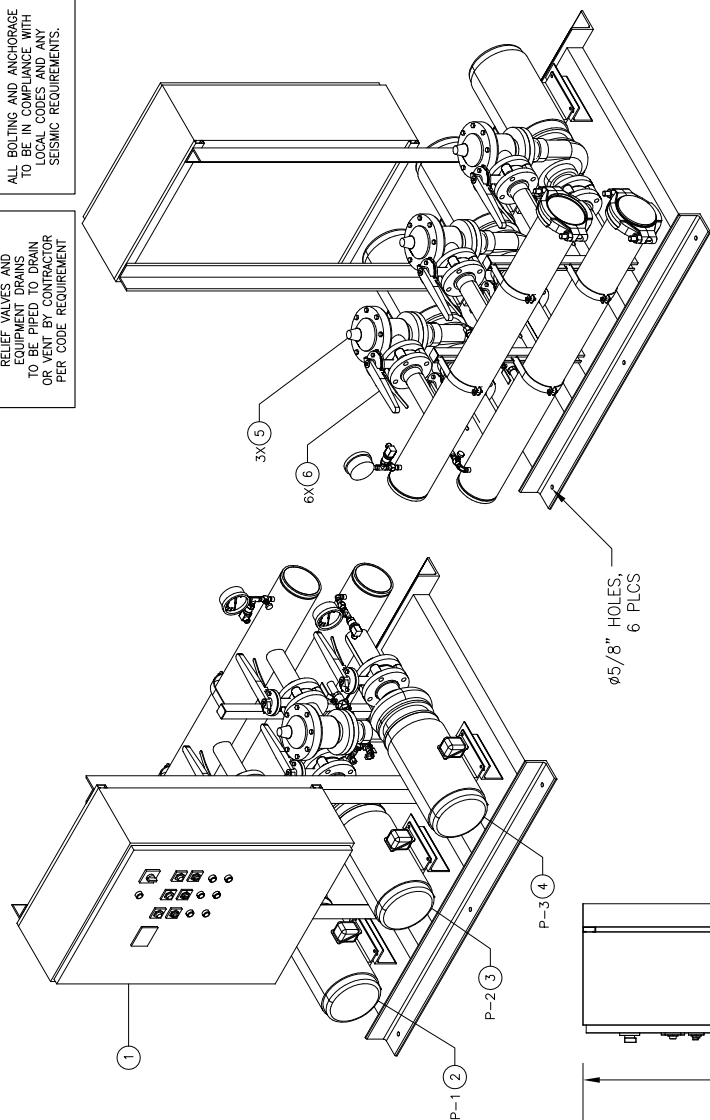
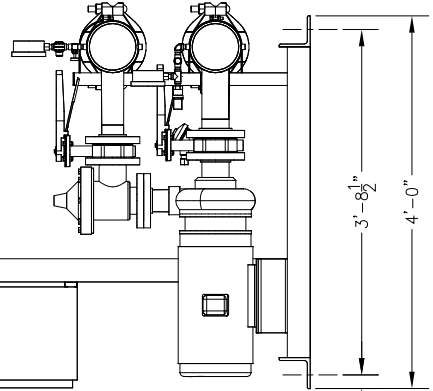
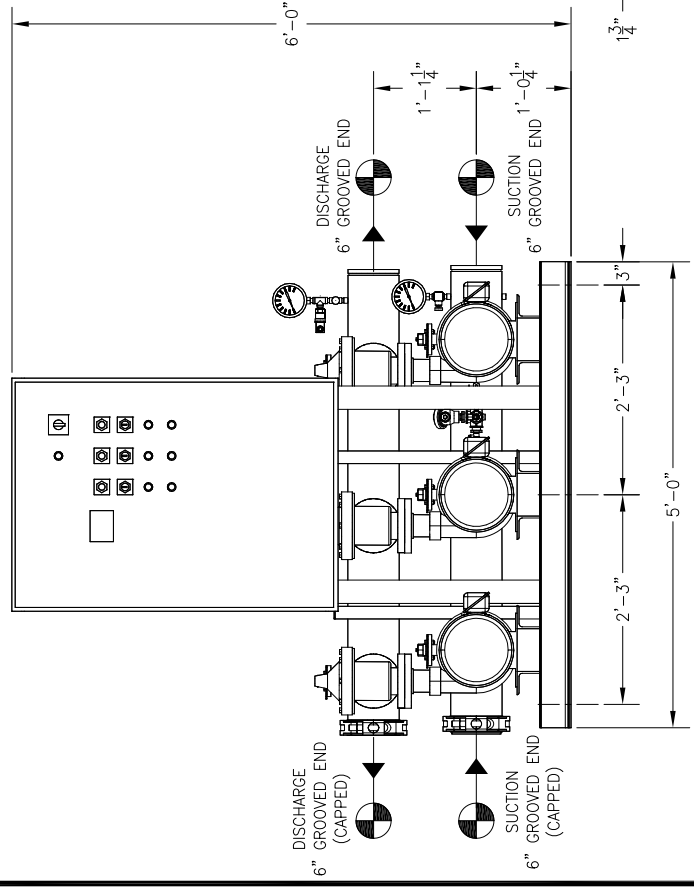
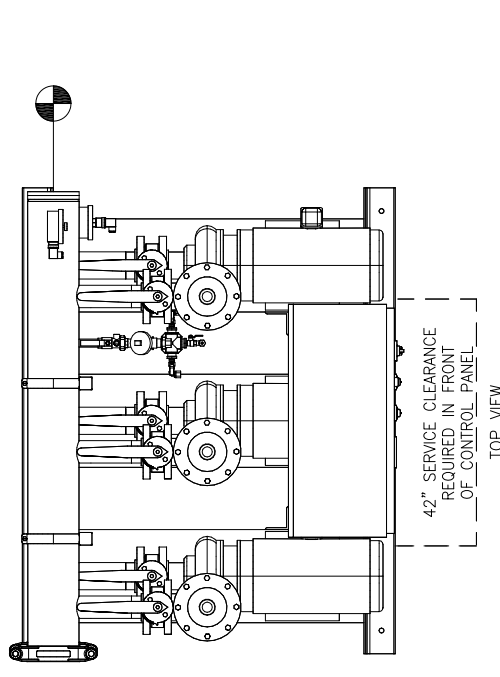


RELIEF VALVES AND EQUIPMENT DRAINS TO BE PIPED TO DRAIN OR TO AT LEAST PER CODE REQUIREMENT.

ALL BOLTING AND ANCHORAGE TO BE IN COMPLIANCE WITH LOCAL CODES AND ANY SEISMIC REQUIREMENTS.



- GPM		- PSI		- PSI									
TOTAL FLOW		TOTAL DISCHARGE PRESSURE		AVAILABLE PRESSURE									
4	P-3	GOULDS	2 1/2 X 3-7	-	15	3500	460	/	60	/	3	TEFC	P.E.
3	P-2	GOULDS	2 1/2 X 3-7	-	15	3500	460	/	60	/	3	TEFC	P.E.
2	P-1	GOULDS	2 1/2 X 3-7	-	15	3500	460	/	60	/	3	TEFC	P.E.
ITEM	TAG	MANUFACTURER	SERIES	MODEL	GPM	TDH	HP	RPM	VOLTS/HZ	PH	ENCLOSURE	PUMP SCHEDULE	



RIGHT END VIEW

UL LISTED
PACKAGED PUMPING SYSTEMS & HEAT TRANSFER SYSTEMS

THE DRAWING AND THE INFORMATION DERIVED THEREIN IS THE PROPERTY OF FLOWTHERM SYSTEMS, A DIVISION OF CHC. COPIES ARE MADE FOR RECORD PURPOSES AND ARE NOT TO BE USED FOR CONSTRUCTION OR AS THE BASIS FOR MANUFACTURING OR SALE OF THE PRODUCT WITHOUT PRIOR WRITTEN PERMISSION OF CHC.

PROJECT NAME: _____
CUSTOMER: _____
DRAWN BY DATE: _____
CHECKED BY APPROVED BY: _____
TOLERANCES UNLESS OTHERWISE SPECIFIED: _____
DEC. .500" FRACTION 1/2" ANGLE 5" SCALE 1" = 1'-0"

APPROXIMATE SHIPPING WEIGHT: 1,809 LBS.
APPROXIMATE OPERATING WEIGHT: 1,989 LBS.

GENERAL NOTES:
(1) SINGLE POINT POWER CONNECTION AT CONTROL PANEL.
(2) HYDRO PRESSURE CHECK AT 125 PSI.
(3) ASSEMBLED SYSTEM TO BE PAINTED WITH INDUSTRIAL MACHINE ENAMEL PRIOR TO SHIPMENT.

□ = DENOTES CONTRACTOR POINT OF CONNECTION

FLOWTHERM systems
HAYWARD, CALIFORNIA

DRAWING TITLE: VARIABLE SPEED TRIPLEX PRESSURE BOOSTER
DRAWING No. FEV3-16
REV A