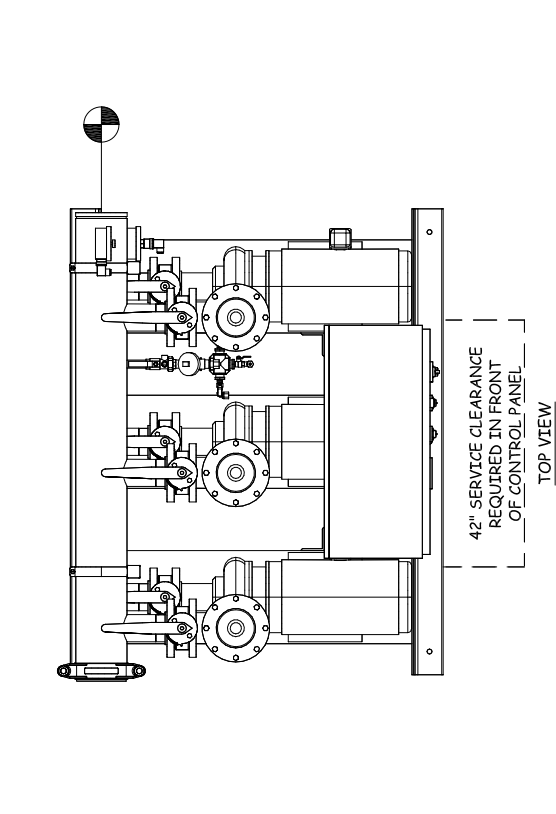
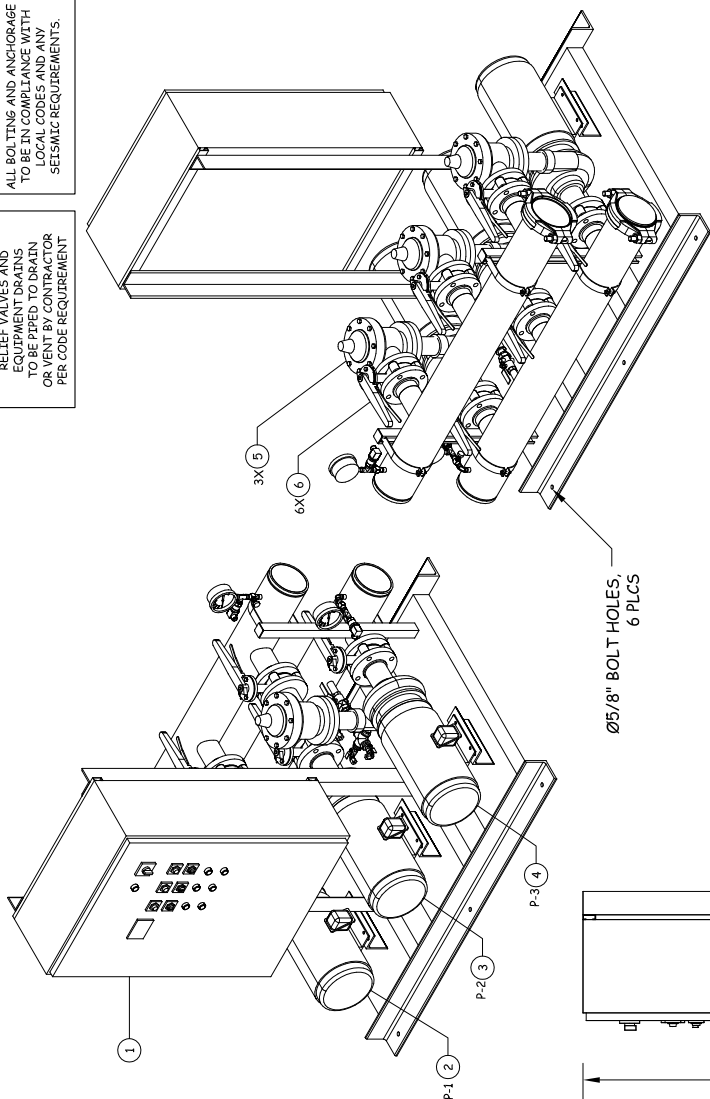
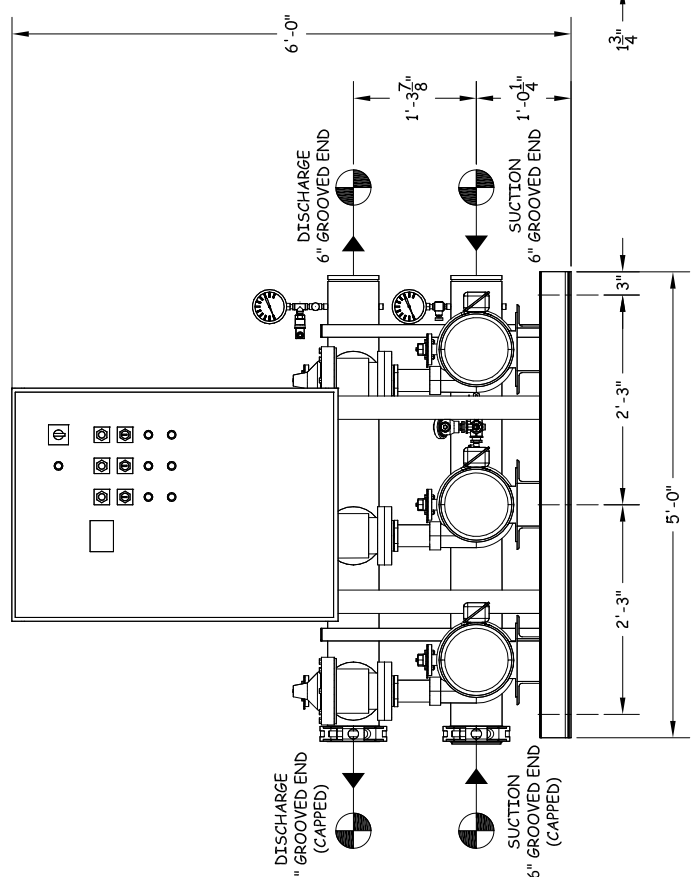
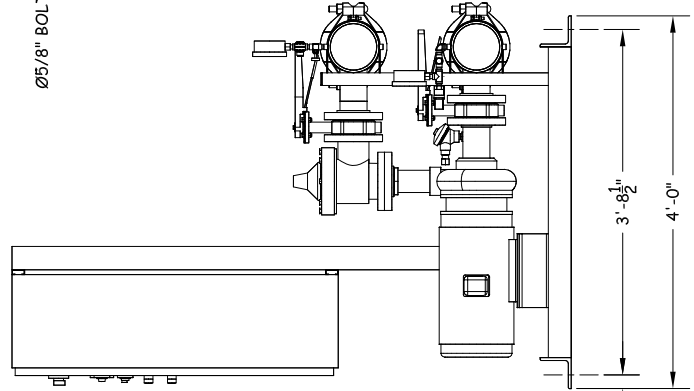


RELIEF VALVES AND ANCHORAGE EQUIPMENT DRAINS TO BE PERMITTED TO DRAIN OR TO BE ANCHORED PER CODE REQUIREMENTS.

ALL BOLTING AND ANCHORAGE TO BE IN COMPLIANCE WITH LOCAL CODES AND ANY SEISMIC REQUIREMENTS.



- GPM		- PSI		- PSI		- PSI	
TOTAL FLOW		TOTAL DISCHARGE PRESSURE		TOTAL SYSTEM CAPACITY		AVAILABLE PRESSURE	
3	P-3	600LBS	2 1/2 X 3 - 7	-	7 1/2	3500	460 / 60 / 3
2	P-2	600LBS	2 1/2 X 3 - 7	-	7 1/2	3500	460 / 60 / 3
1	P-1	600LBS	2 1/2 X 3 - 7	-	7 1/2	3500	460 / 60 / 3
ITEM	TAG	MANUFACTURER	SERIES	MODEL	GPM	TDH	HP
PUMP SCHEDULE							
ENCLOSURE							



FLOWTHERM systems
HAYWARD, CALIFORNIA

PROJECT NAME: _____
DRAWING TITLE: VARIABLE SPEED TRIPLE X PRESSURE BOOSTER
DRAWING No. FEV3-18

CUSTOMER: _____
DRAWN BY DATE: 07/05/15
CHECKED BY: _____
APPROVED BY: _____
TOLERANCES UNLESS OTHERWISE SPECIFIED:
DEC. .500" FRACTION 1/2" ANGLE 5° SCALE 1" = 1'-0"

UL LISTED
PACKAGED PUMPING SYSTEMS & HEAT TRANSFER SYSTEMS

APPROXIMATE SHIPPING WEIGHT: 1,746 LBS
APPROXIMATE OPERATING WEIGHT: 1,931 LBS

GENERAL NOTES:
(1) SINGLE POINT POWER CONNECTION AT CONTROL PANEL.
(2) HYDRO PRESSURE CHECK AT 125 PSI.
(3) ASSEMBLED SYSTEM TO BE PAINTED WITH INDUSTRIAL MACHINE ENAMEL PRIOR TO SHIPMENT.
- DENOTES CONTRACTOR POINT OF CONNECTION