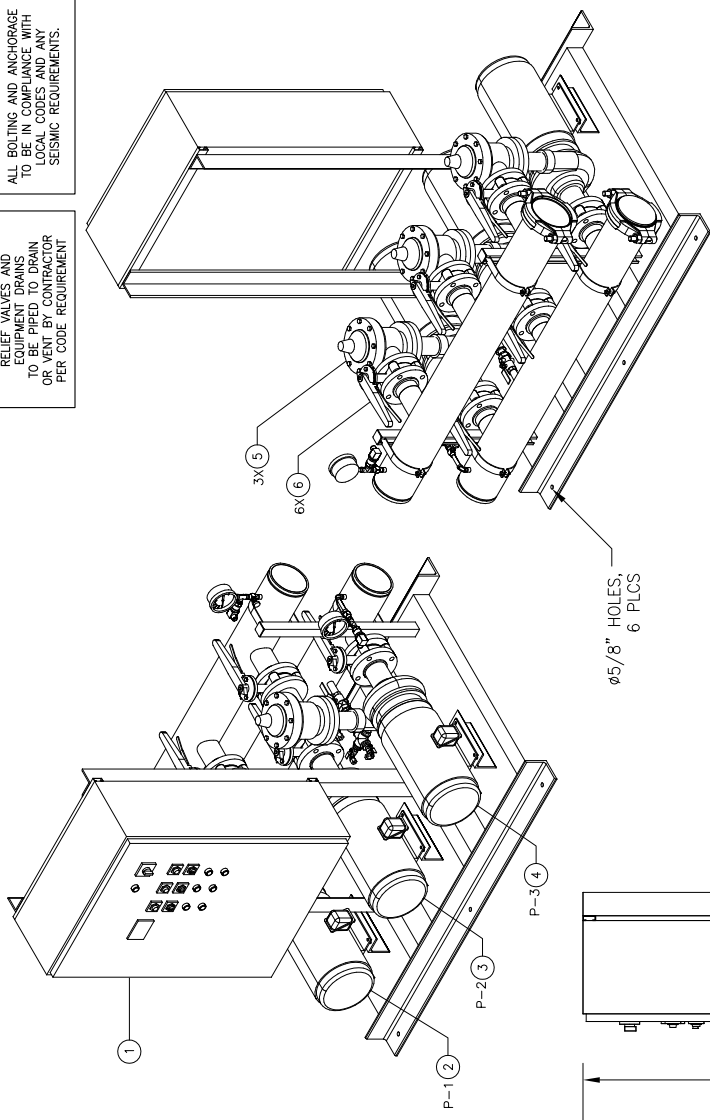
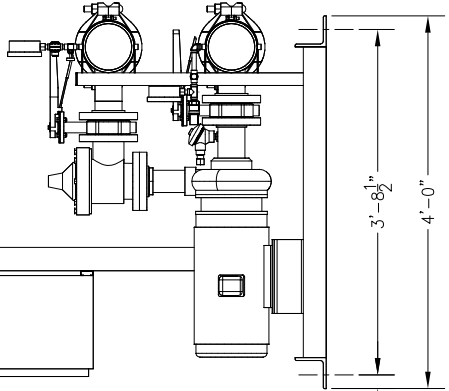
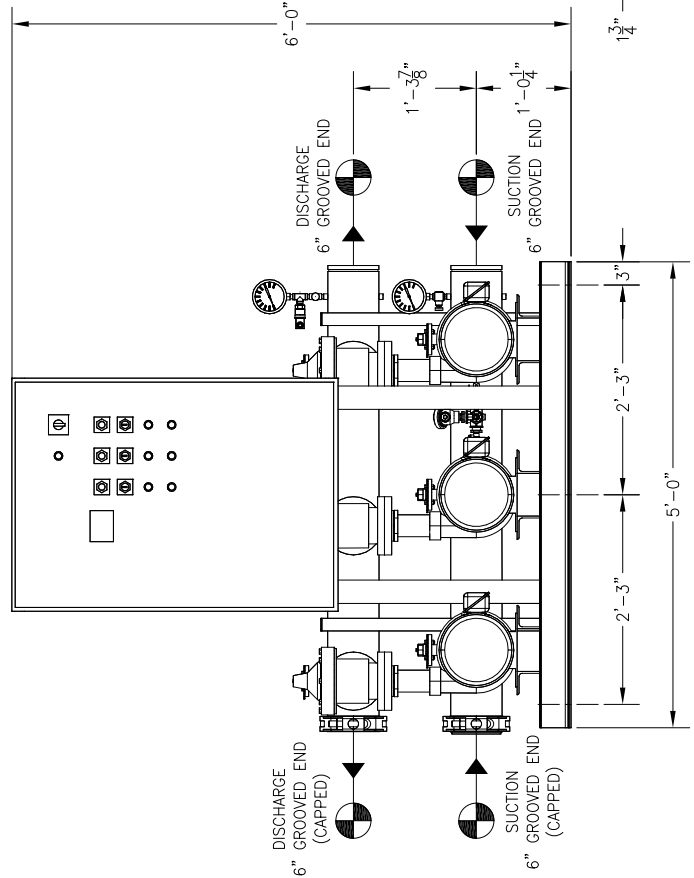
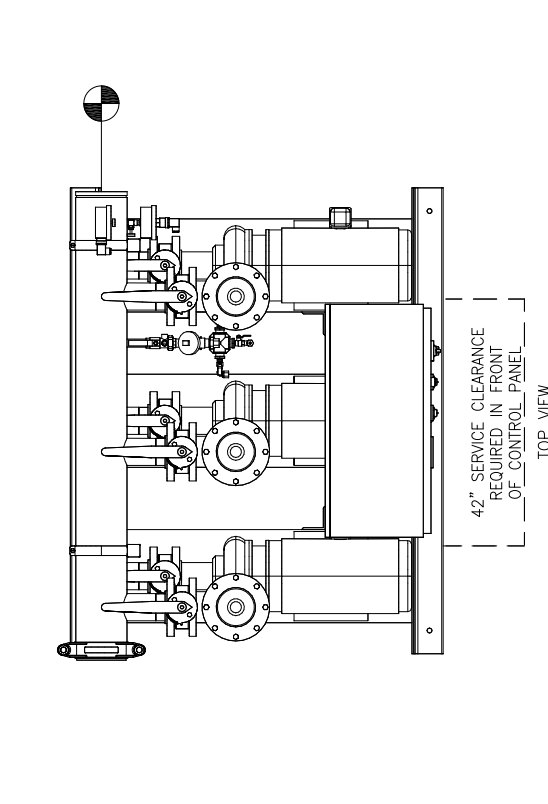


RELIEF VALVES AND EQUIPMENT DRAINS TO BE PIPED TO DRAIN OR TO THE STREET PER CODE REQUIREMENT.

ALL BOLTING AND ANCHORAGE TO BE IN COMPLIANCE WITH LOCAL CODES AND ANY SEISMIC REQUIREMENTS.



-GPM		- PSI		- PSI										
TOTAL FLOW		TOTAL DISCHARGE PRESSURE		AVAILABLE PRESSURE										
TOTAL SYSTEM CAPACITY														
3	P-3	GOULDS	12.5 X 3 - 7	-	10	3500	460	/	60	/	3	TEFC	P.E.	
2	P-2	GOULDS	12.5 X 3 - 7	-	-	10	3500	460	/	60	/	3	TEFC	P.E.
1	P-1	GOULDS	12.5 X 3 - 7	-	-	10	3500	460	/	60	/	3	TEFC	P.E.
ITEM	TAG	MANUFACTURER	SERIES	MODEL	GPM	TDH	HP	RPM	VOLTS/HZ	PH	ENCLOSURE			
PUMP SCHEDULE														



GENERAL NOTES:

- (1) SINGLE POINT POWER CONNECTION AT CONTROL PANEL.
- (2) HYDRO PRESSURE CHECK AT 125 PSI.
- (3) ASSEMBLED SYSTEM TO BE PAINTED WITH INDUSTRIAL MACHINE ENAMEL PRIOR TO SHIPMENT.

UL LISTED
PACKAGED PUMPING SYSTEMS & HEAT TRANSFER SYSTEMS

APPROXIMATE SHIPPING WEIGHT: 1,855 LBS.
APPROXIMATE OPERATING WEIGHT: 2,040 LBS.

PROJECT NAME:
CUSTOMER:
DRAWN BY DATE: 01/25/15
CHECKED BY APPROVED BY:
TOLERANCES UNLESS OTHERWISE SPECIFIED
DEC. .500" FRACTION: 1/2" ANGLE: 5" SCALE: 1" = 1'-0"

FLOWTHERM systems
HAYWARD, CALIFORNIA

DRAWING TITLE: VARIABLE SPEED TRIPLEX PRESSURE BOOSTER
DRAWING No. FEV3-19
REV. A