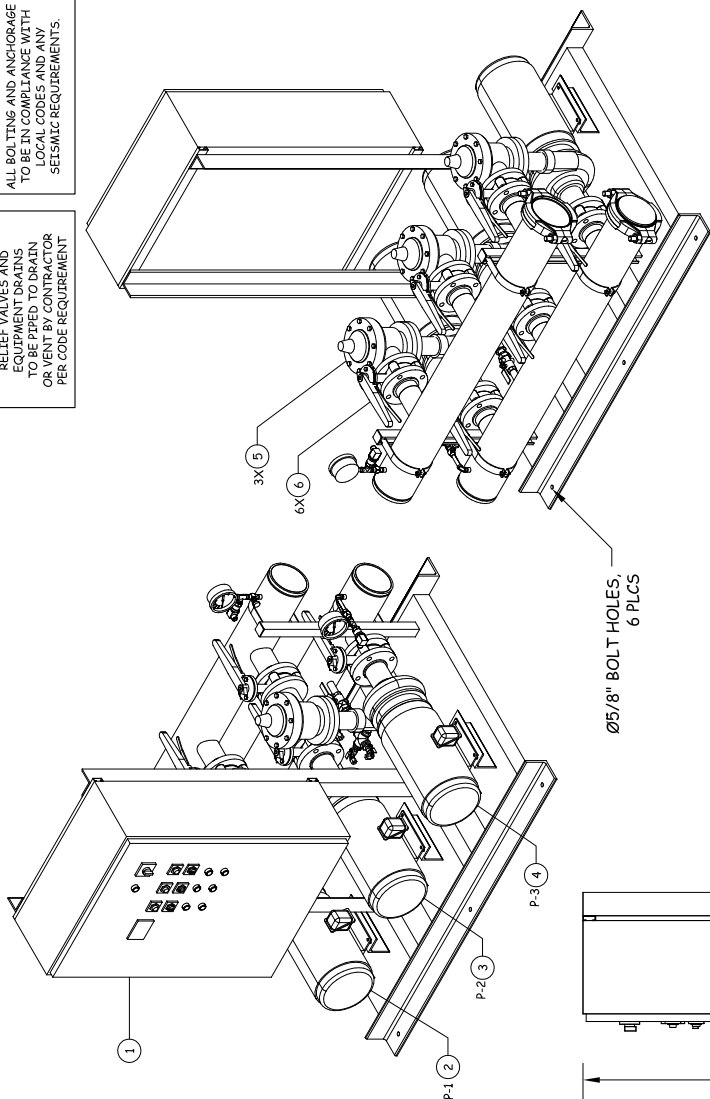
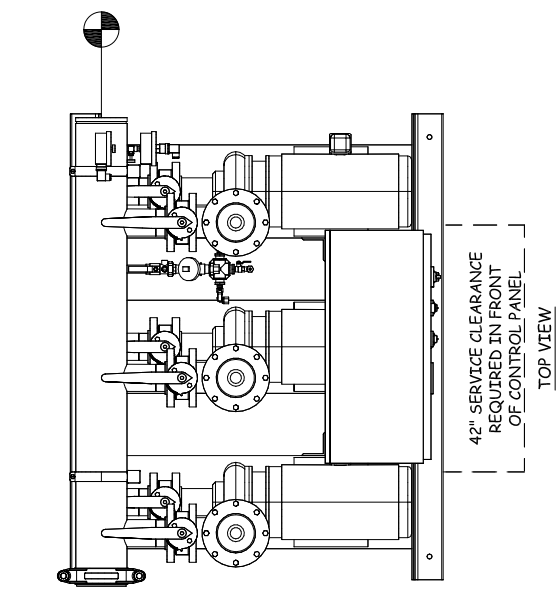


RELIEF VALVES AND ANCHORAGE EQUIPMENT DRAINS TO BE FITTED TO DRAIN OR TO A SINK OR SEWER PER CODE REQUIREMENT.

ALL BOLTING AND ANCHORAGE TO BE IN COMPLIANCE WITH LOCAL CODES AND ANY SEISMIC REQUIREMENTS.

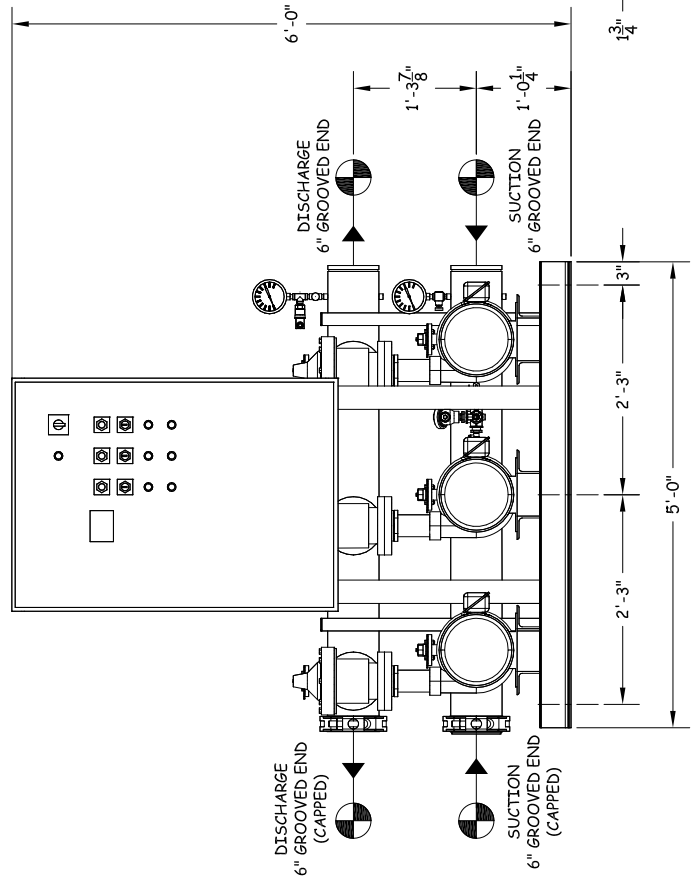


Ø5/8" BOLT HOLES, 6 PLCS

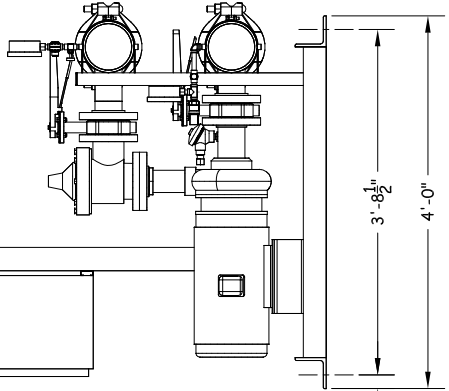


42" SERVICE CLEARANCE REQUIRED IN FRONT OF CONTROL PANEL.

TOP VIEW



FRONT VIEW



RIGHT END VIEW

- GPM		- PSI		- PSI						
TOTAL FLOW		TOTAL DISCHARGE PRESSURE		AVAILABLE PRESSURE						
3	P-3	60ULDS	2 1/2 X 3 - 7	-	10	15	460 / 60 / 3	TEFC/P.E.		
2	P-2	60ULDS	2 1/2 X 3 - 7	-	10	15	460 / 60 / 3	TEFC/P.E.		
1	P-1	60ULDS	2 1/2 X 3 - 7	-	10	15	460 / 60 / 3	TEFC/P.E.		
ITEM	TAG	MANUFACTURER	SERIES	MODEL	GPM	TDH	HP	RPM	VOLTS/HZ/PH	ENCLOSURE

PUMP SCHEDULE

FLOWTHERM systems
HAYWARD, CALIFORNIA

PROJECT NAME: VARIABLE SPEED TRIPLE X PRESSURE BOOSTER

CUSTOMER: [Blank]

DRAWN BY DATE: [Blank] / [Blank] / 15

CHECKED BY: [Blank]

APPROVED BY: [Blank]

TOLERANCES UNLESS OTHERWISE SPECIFIED:
DEC. .500" FRACTIONAL ANGLE 5° SCALE 1" = 1'-0"

DRAWING No. FEV3-20

REV A

THIS DRAWING AND THE INFORMATION DEPICTED THEREIN IS THE PROPERTY OF FLOWTHERM SYSTEMS, A DIVISION OF CHC. COPIES ARE ISSUED IN STRICT CONFIDENCE AND ARE NOT TO BE REPRODUCED, COPIED, OR USED AS THE BASIS FOR MANUFACTURING OR SALE OF PRODUCT WITHOUT PRIOR WRITTEN PERMISSION OF CHC.

UL LISTED PACKAGED PUMPING SYSTEMS & HEAT TRANSFER SYSTEMS

APPROXIMATE SHIPPING WEIGHT: 1,895 LBS

APPROXIMATE OPERATING WEIGHT: 2,040 LBS

GENERAL NOTES:
(1) SINGLE POINT POWER CONNECTION AT CONTROL PANEL.
(2) HYDRO PRESSURE CHECK AT 125 PSI.
(3) ASSEMBLED SYSTEM TO BE PAINTED WITH INDUSTRIAL MACHINE ENAMEL PRIOR TO SHIPMENT.

- DENOTES CONTRACTOR POINT OF CONNECTION

UL LISTED PACKAGED PUMPING SYSTEMS & HEAT TRANSFER SYSTEMS

APPROXIMATE SHIPPING WEIGHT: 1,895 LBS

APPROXIMATE OPERATING WEIGHT: 2,040 LBS

GENERAL NOTES:
(1) SINGLE POINT POWER CONNECTION AT CONTROL PANEL.
(2) HYDRO PRESSURE CHECK AT 125 PSI.
(3) ASSEMBLED SYSTEM TO BE PAINTED WITH INDUSTRIAL MACHINE ENAMEL PRIOR TO SHIPMENT.

- DENOTES CONTRACTOR POINT OF CONNECTION