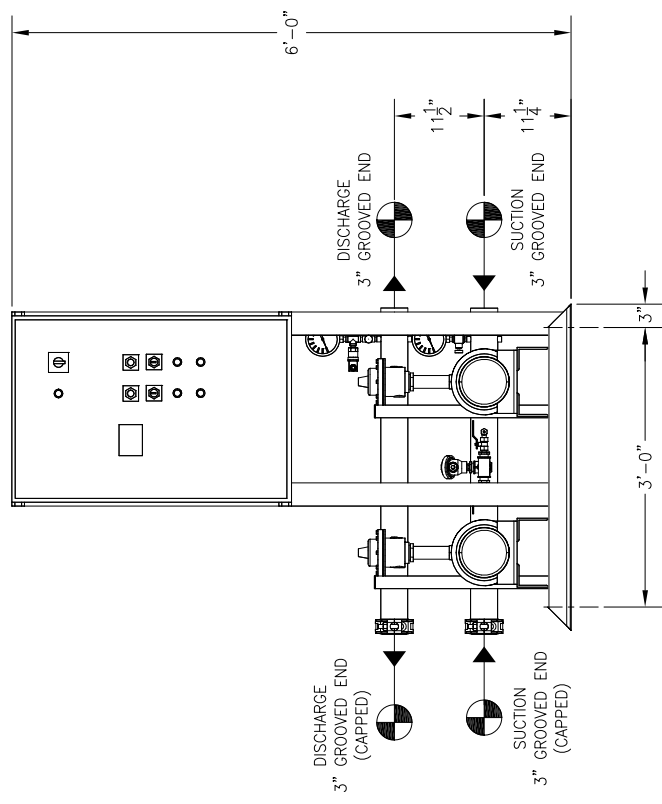
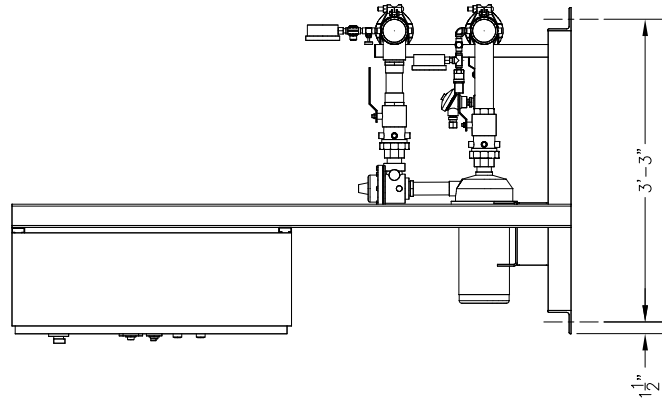
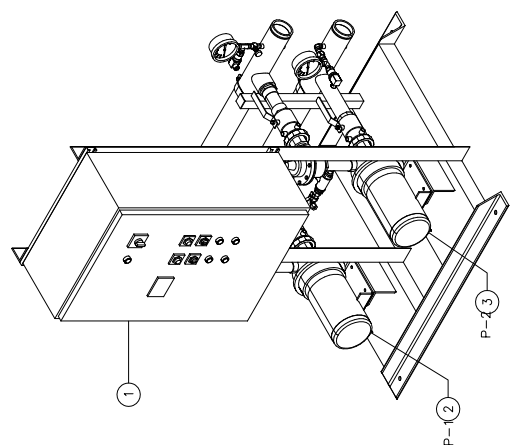


TOP VIEW

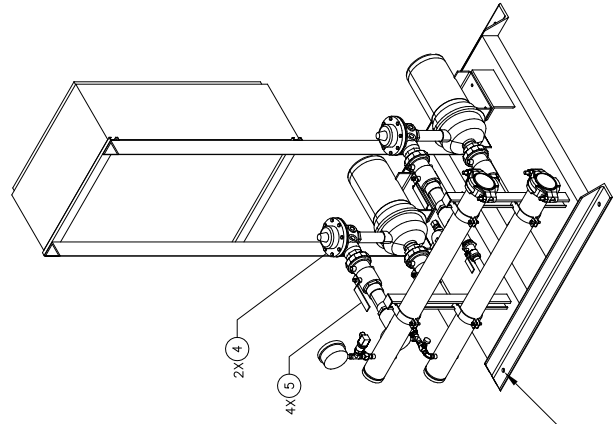


FRONT VIEW



RIGHT END VIEW

RELIEF VALVES AND EQUIPMENT DRAINS TO BE PIPED TO DRAIN OR TO THE STREET PER CODE REQUIREMENT.



4 5/8" HOLES, 4 PLCS

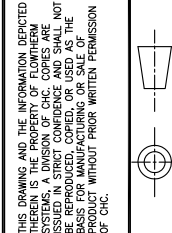
ALL BOLTING AND ANCHORAGE TO BE IN COMPLIANCE WITH LOCAL CODES AND ANY SEISMIC REQUIREMENTS.

TOTAL FLOW		TOTAL DISCHARGE PRESSURE		TOTAL SYSTEM CAPACITY		AVAILABLE PRESSURE				
- GPM		- PSI		- PSI		- PSI				
3	P-2	GOULDS	NPE 1.25 X 1.5-6	-	1 1/2	3500	460 / 60 / 3	TEFC P.E.		
2	P-1	GOULDS	NPE 1.25 X 1.5-6	-	1 1/2	3500	460 / 60 / 3	TEFC P.E.		
ITEM	TAG	MANUFACTURER	SERIES	MODEL	GPM	TDH	HP	RPM	VOLTS/Hz/PH	ENCLOSURE
PUMP SCHEDULE										

GENERAL NOTES:
 (1) SINGLE POINT POWER CONNECTION AT CONTROL PANEL.
 (2) HYDRO PRESSURE CHECK AT 125 PSI.
 (3) ASSEMBLED SYSTEM TO BE PAINTED WITH INDUSTRIAL MACHINE ENAMEL PRIOR TO SHIPMENT.

UL LISTED
 PACKAGED PUMPING SYSTEMS & HEAT TRANSFER SYSTEMS

APPROXIMATE SHIPPING WEIGHT: 602 LBS.
 APPROXIMATE OPERATING WEIGHT: 643 LBS.



PROJECT NAME:
 CUSTOMER:
 DRAWN BY DATE: 12/16/14
 CHECKED BY APPROVED BY:
 TOLERANCES UNLESS OTHERWISE SPECIFIED
 DEC. .500" 1/2" 5" 1" = 1'-0"

FLOWTHERM systems
 HAYWARD, CALIFORNIA

DRAWING TITLE: VARIABLE SPEED DUPLEX PRESSURE BOOSTER
 FAB No. DRAWING No. REV. A