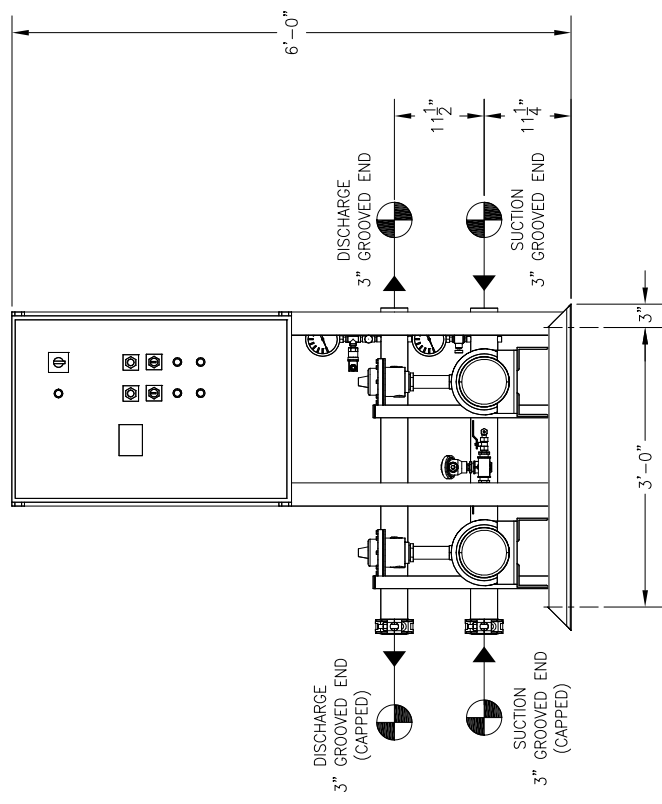
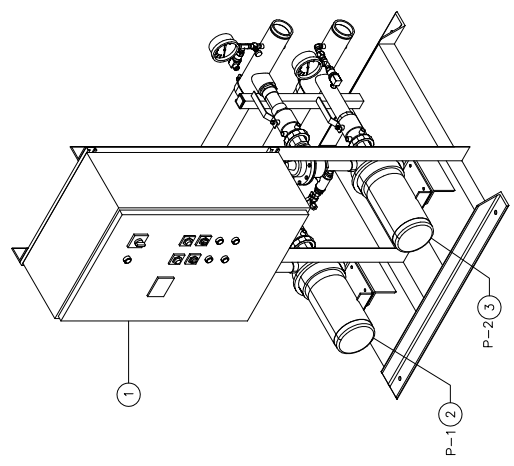


TOP VIEW

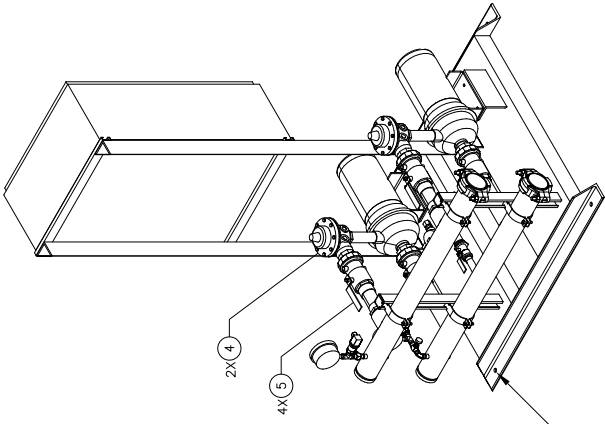


FRONT VIEW



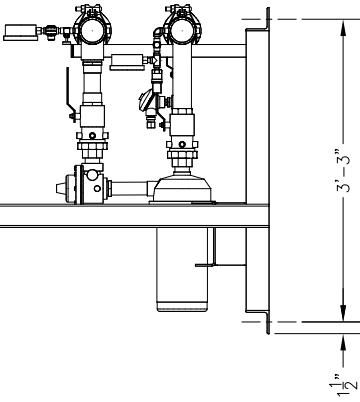
ø5/8" HOLES,
4 PLCS

RELIEF VALVES AND EQUIPMENT DRAINS TO BE PIPED TO DRAIN OR TO THE STREET PER CODE REQUIREMENT.



ALL BOLTING AND ANCHORAGE TO BE IN COMPLIANCE WITH LOCAL CODES AND ANY SEISMIC REQUIREMENTS.

TOTAL FLOW		TOTAL DISCHARGE PRESSURE		TOTAL SYSTEM CAPACITY		AVAILABLE PRESSURE				
- GPM		- PSI		- PSI		- PSI				
3	P-2	GOULDS	NPE 1.25 X 1.5 - 6	-	-	2	3500	460 / 60 / 3	TEFC P.E.	
2	P-1	GOULDS	NPE 1.25 X 1.5 - 6	-	-	2	3500	460 / 60 / 3	TEFC P.E.	
ITEM	TAG	MANUFACTURER	SERIES	MODEL	GPM	TDH	HP	RPM	VOLTS/Hz/PH	ENCLOSURE
PUMP SCHEDULE										



RIGHT END VIEW

THE DRAWING AND THE INFORMATION DERIVED THEREIN IS THE PROPERTY OF FLOWTHERM SYSTEMS, A DIVISION OF CHC. COPIES ARE MADE FOR THE RECORD AND ARE NOT TO BE REPRODUCED OR USED AS THE BASIS FOR MANUFACTURING OR SALE OF THE PRODUCT WITHOUT PRIOR WRITTEN PERMISSION OF CHC.

UL LISTED
PACKAGED PUMPING SYSTEMS & HEAT TRANSFER SYSTEMS

APPROXIMATE SHIPPING WEIGHT: 615 LBS.
APPROXIMATE OPERATING WEIGHT: 656 LBS.

GENERAL NOTES:
(1) SINGLE POINT POWER CONNECTION AT CONTROL PANEL.
(2) HYDRO PRESSURE CHECK AT 125 PSI.
(3) ASSEMBLED SYSTEM TO BE PAINTED WITH INDUSTRIAL MACHINE ENAMEL PRIOR TO SHIPMENT.

☉ = DENOTES CONTRACTOR POINT OF CONNECTION

PROJECT NAME:
CUSTOMER:

DRAWN BY DATE: 12/16/14
CHECKED BY APPROVED BY:
TOLERANCES UNLESS OTHERWISE SPECIFIED
DEC. .500" 1/2" 5" C
SCALE 1" = 1'-0"

FLOWTHERM systems
HAYWARD, CALIFORNIA

DRAWING TITLE: VARIABLE SPEED DUPLEX PRESSURE BOOSTER
DRAWING No. FEV2-2
REV. A