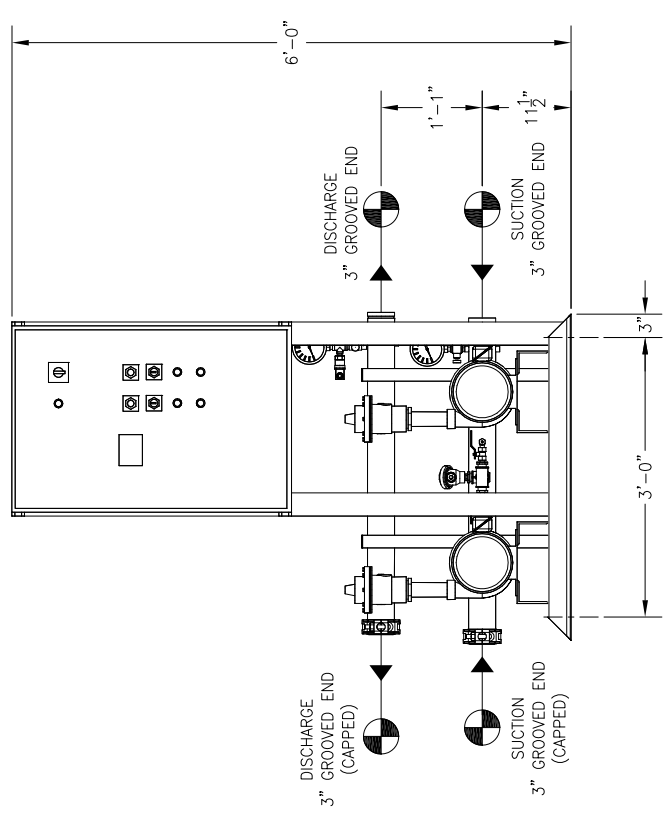
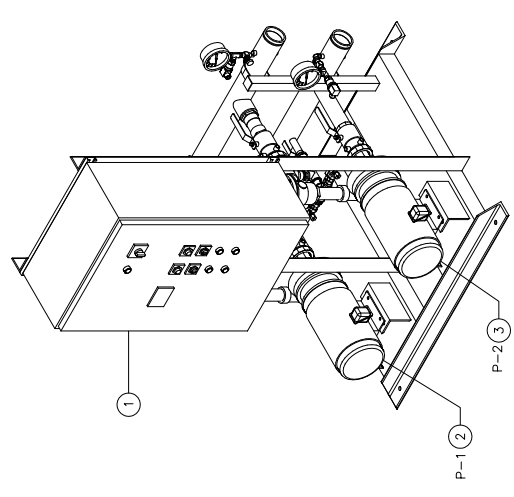


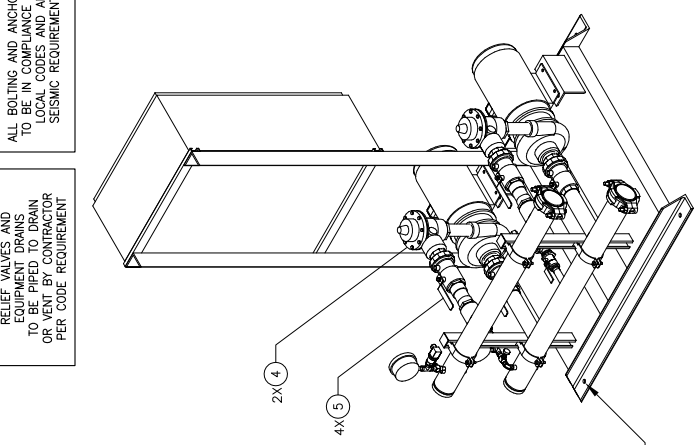
TOP VIEW



FRONT VIEW



P-1 (2) P-2 (3) P-3



ø5/8" HOLES, 4 PLCS

RELIEF VALVES AND EQUIPMENT DRAINS TO BE PIPED TO DRAIN OR TO THE STREET PER CODE REQUIREMENT.

ALL BOLTING AND ANCHORAGE TO BE IN COMPLIANCE WITH LOCAL CODES AND ANY SEISMIC REQUIREMENTS.

TOTAL FLOW		PSI		TOTAL DISCHARGE PRESSURE		AVAILABLE PRESSURE	
GPM		PSI		TOTAL SYSTEM CAPACITY		PSI	
3	P-2	GOULDS	3656	1.5 X 2 - 6	-	-	-
2	P-1	GOULDS	3656	1.5 X 2 - 6	-	-	-
ITEM	TAG	MANUFACTURER	SERIES	MODEL	GPM	TDH	HP
							RPM
							VOLTS/Hz/PH
							ENCLOSURE
							PUMP SCHEDULE

UL LISTED
PACKAGED PUMPING SYSTEMS & HEAT TRANSFER SYSTEMS

FLOWTHERM systems
HAYWARD, CALIFORNIA

PROJECT NAME: _____
CUSTOMER: _____
DRAWN BY DATE: 12/17/14 CHECKED BY APPROVED BY: _____
TOLERANCES UNLESS OTHERWISE SPECIFIED: _____
DEC. .500" FRACTION 1/2" ANGLE 5" SCALE 1" = 1'-0"

APPROXIMATE SHIPPING WEIGHT: 832 LBS.
APPROXIMATE OPERATING WEIGHT: 875 LBS.

GENERAL NOTES:
(1) SINGLE POINT POWER CONNECTION AT CONTROL PANEL.
(2) HYDRO PRESSURE CHECK AT 125 PSI.
(3) ASSEMBLED SYSTEM TO BE PAINTED WITH INDUSTRIAL MACHINE ENAMEL PRIOR TO SHIPMENT.

VARIBLE SPEED DUPLEX PRESSURE BOOSTER
DRAWING No. FEV2-6
REV. A