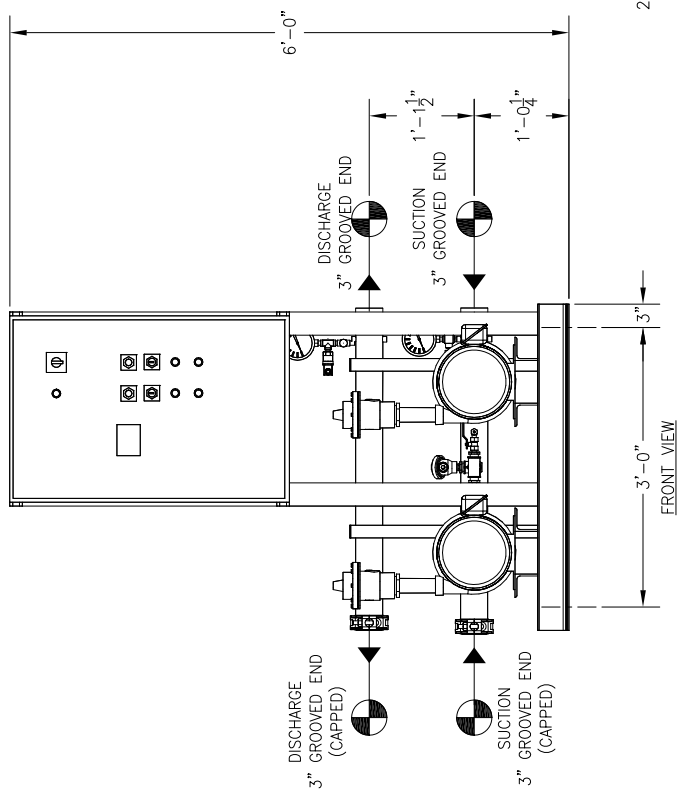
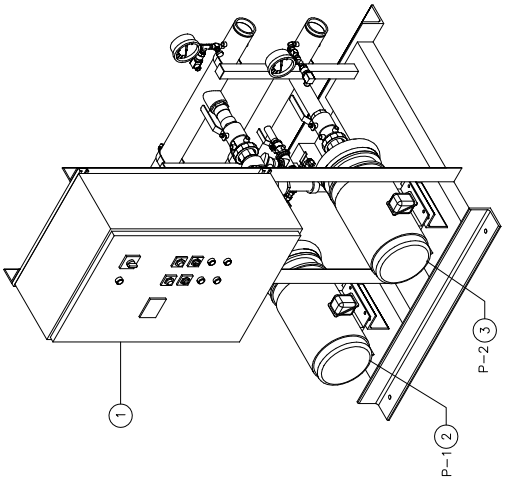


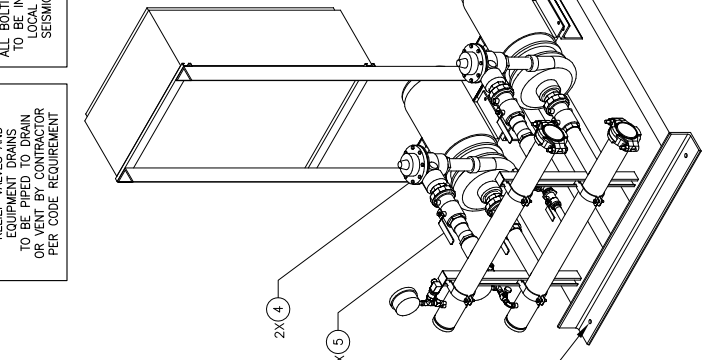
TOP VIEW



FRONT VIEW



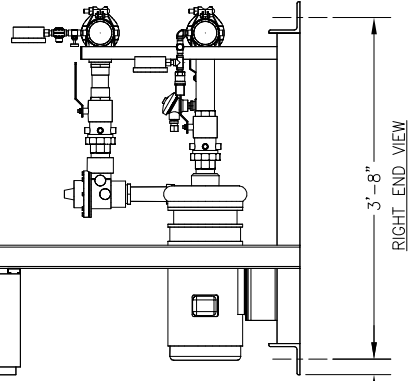
ø5/8" HOLES, 4 PLCS



RELIEF VALVES AND EQUIPMENT DRAINS TO BE PIPED TO DRAIN OR TO THE STREET PER CODE REQUIREMENT.

ALL BOLTING AND ANCHORAGE TO BE IN COMPLIANCE WITH LOCAL CODES AND ANY SEISMIC REQUIREMENTS.

TOTAL FLOW		PSI		TOTAL DISCHARGE PRESSURE		AVAILABLE PRESSURE				
		TOTAL SYSTEM CAPACITY								
3	P-2	GOULDS	3656	1 1/2 X 2-8	-	7 1/2	3500	460 / 60 / 3	TEFC P.E.	
2	P-1	GOULDS	3656	1 1/2 X 2-8	-	7 1/2	3500	460 / 60 / 3	TEFC P.E.	
ITEM	TAG	MANUFACTURER	SERIES	MODEL	GPM	TDH	HP	RPM	VOLTS/Hz/PH	ENCLOSURE
PUMP SCHEDULE										



RIGHT END VIEW

GENERAL NOTES:
 (1) SINGLE POINT POWER CONNECTION AT CONTROL PANEL.
 (2) HYDRO PRESSURE CHECK AT 125 PSI.
 (3) ASSEMBLED SYSTEM TO BE PAINTED WITH INDUSTRIAL MACHINE ENAMEL PRIOR TO SHIPMENT.

UL LISTED
 PACKAGED PUMPING SYSTEMS
 & HEAT TRANSFER SYSTEMS

APPROXIMATE SHIPPING WEIGHT: 1,030 LBS.
 APPROXIMATE OPERATING WEIGHT: 1,073 LBS.

THE DRAWING AND THE INFORMATION DEPICTED THEREIN IS THE PROPERTY OF FLOWTHERM SYSTEMS, A DIVISION OF CHC. COPIES ARE BEING FOR CONSTRUCTION AND NOT TO BE USED FOR MANUFACTURING OR SALE OF THE PRODUCT WITHOUT PRIOR WRITTEN PERMISSION OF CHC.

PROJECT NAME:
 CUSTOMER:
 DRAWN BY DATE: 12/17/14
 CHECKED BY APPROVED BY:
 TOLERANCES UNLESS OTHERWISE SPECIFIED
 DEC. .500" 1/2" 5" 1" = 1'-0"

FLOWTHERM systems
 HAYWARD, CALIFORNIA

DRAWING TITLE: VARIABLE SPEED DUPLEX PRESSURE BOOSTER
 FAB No. DRAWING No. REV A