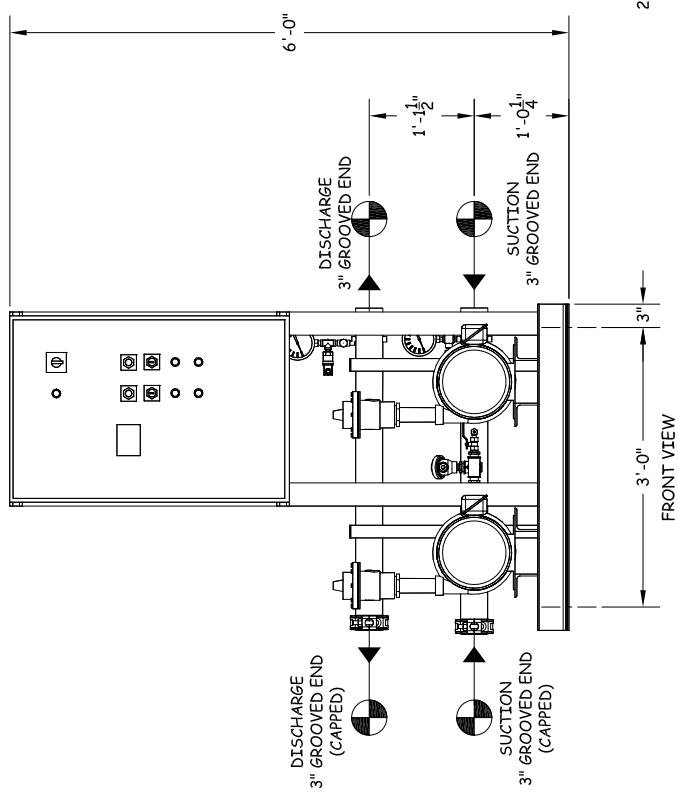
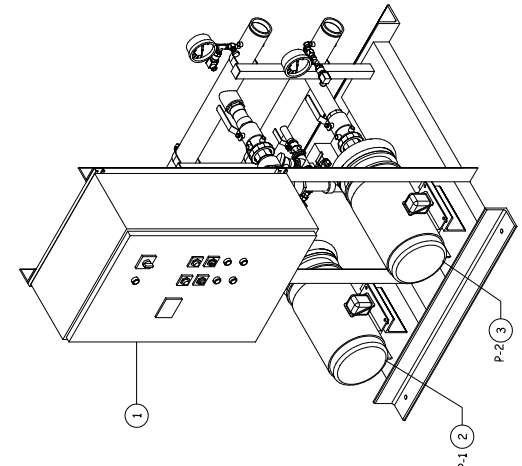


TOP VIEW

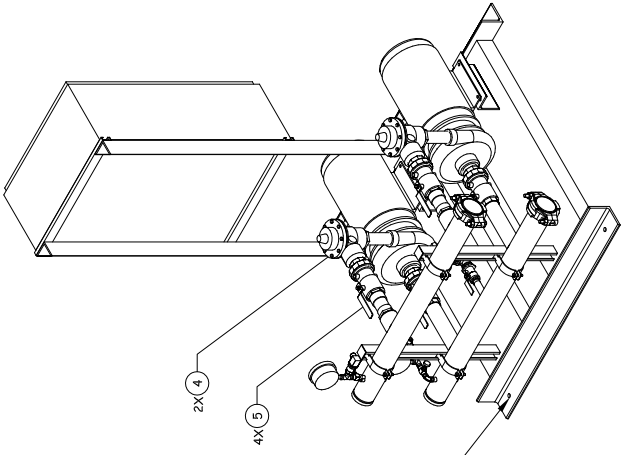


FRONT VIEW



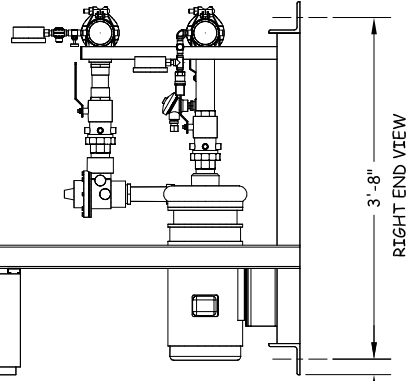
Ø5/8" BOLT HOLES, 4 PLCS

RELIEF VALVES AND EQUIPMENT DRAINS TO BE FITTED TO DRAIN OR TO THE SEWER PER CODE REQUIREMENT.



ALL BOLTING AND ANCHORAGE TO BE IN COMPLIANCE WITH LOCAL CODES AND ANY SEISMIC REQUIREMENTS.

TOTAL FLOW		PSI		TOTAL DISCHARGE PRESSURE		AVAILABLE PRESSURE	
ITEM	TAG	MANUFACTURER	SERIES	MODEL	GPM	TDH	HP
3	P-2	GOULDS	3656	11/2 X 2-8	-	-	10
2	P-1	GOULDS	3656	11/2 X 2-8	-	-	10
		TOTAL SYSTEM CAPACITY					
		PUMP SCHEDULE					
					RPM	VOLTS/HZ/PH	ENCLOSURE
					3500	460 / 60 / 3	TEFC/P.E.
					3500	460 / 60 / 3	TEFC/P.E.



RIGHT END VIEW

GENERAL NOTES:

- (1) SINGLE POINT POWER CONNECTION AT CONTROL PANEL.
- (2) HYDRO PRESSURE CHECK AT 125 PSI.
- (3) ASSEMBLED SYSTEM TO BE PAINTED WITH INDUSTRIAL MACHINE ENAMEL PRIOR TO SHIPMENT.

Ø = DENOTES CONTRACTOR POINT OF CONNECTION TO SHIPMENT.

LISTED

PACKAGED PUMPING SYSTEMS & HEAT TRANSFER SYSTEMS

UL

APPROXIMATE SHIPPING WEIGHT: 1,102 LBS

APPROXIMATE OPERATING WEIGHT: 1,145 LBS

THIS DRAWING AND THE INFORMATION DERIVED THEREIN IS THE PROPERTY OF FLOWTHERM SYSTEMS, A DIVISION OF CHC. COPIES ARE ISSUED IN STRICT CONFIDENCE AND ARE NOT TO BE REPRODUCED OR USED AS THE BASIS FOR MANUFACTURING OR SALE OF PRODUCT WITHOUT PRIOR WRITTEN PERMISSION OF CHC.

PROJECT NAME:

CUSTOMER:

DRAWN BY DATE: 12/17/14

CHECKED BY / APPROVED BY:

TOLERANCES UNLESS OTHERWISE SPECIFIED:

DEC. .500"

FAC. 1/2"

ANGLE 5°

SCALE 1" = 1'-0"

FLOWTHERM systems

HAYWARD, CALIFORNIA

DRAWING No. FEV2-9

DRAWING TITLE: FEV2-9 VARIABLE SPEED DUPLEX PRESSURE BOOSTER

REV A