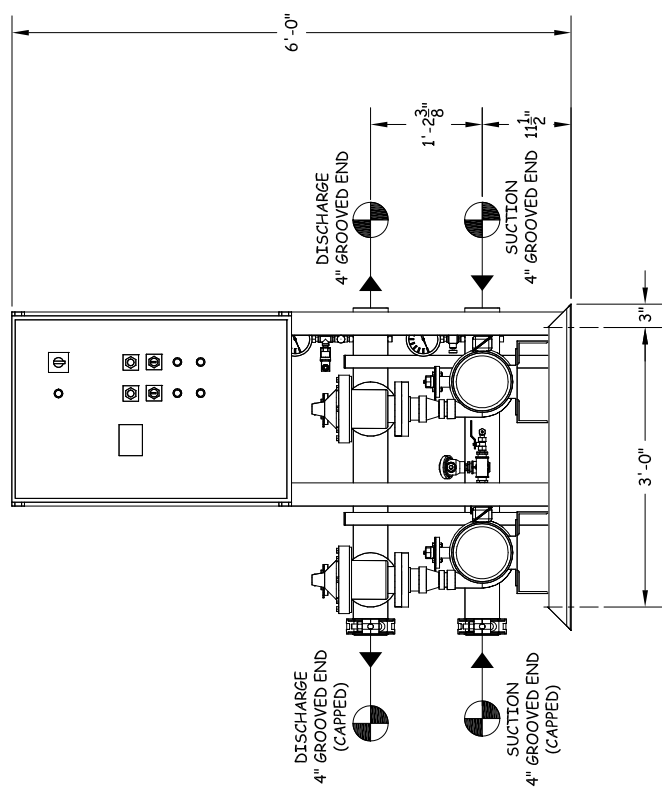
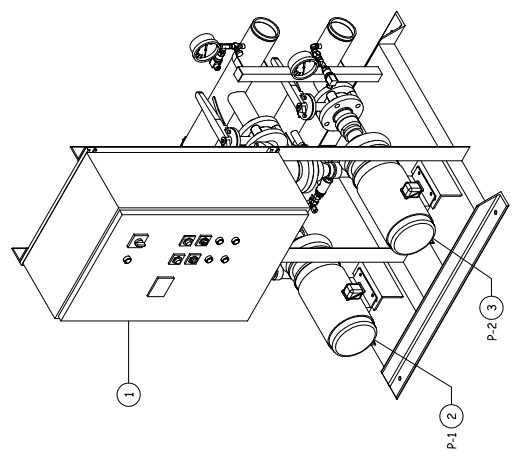


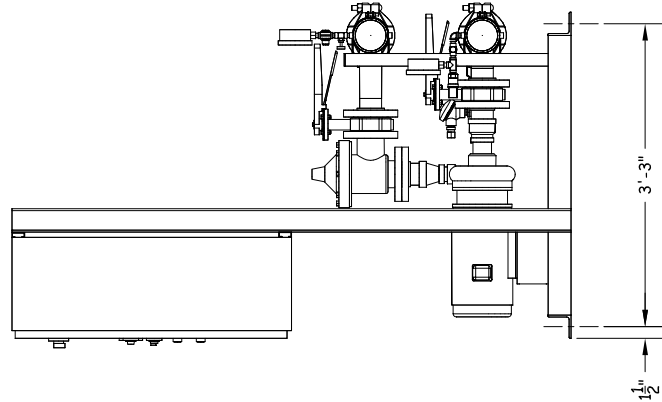
TOP VIEW



FRONT VIEW

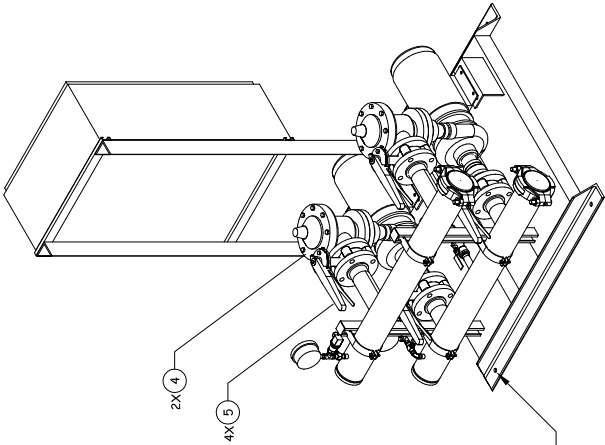


Ø5/8" HOLES,  
4 PLCS



RIGHT END VIEW

RELIEF VALVES AND EQUIPMENT DRAINS TO BE FITTED TO DRAIN OR TO THE SEWER PER CODE REQUIREMENT.



ALL BOLTING AND ANCHORAGE TO BE IN COMPLIANCE WITH LOCAL CODES AND ANY SEISMIC REQUIREMENTS.

TOTAL FLOW		PSI		TOTAL DISCHARGE PRESSURE		AVAILABLE PRESSURE	
TOTAL SYSTEM CAPACITY							
3	P-2	600LBS	11/2 X 2-6	-	3	3500	460 / 60 / 3
2	P-1	600LBS	11/2 X 2-6	-	3	3500	460 / 60 / 3
ITEM	TAG	MANUFACTURER	SERIES	MODEL	GPM	TDH	HP
PUMP SCHEDULE							

**GENERAL NOTES:**  
 (1) SINGLE POINT POWER CONNECTION AT CONTROL PANEL.  
 (2) HYDRO PRESSURE CHECK AT 125 PSI.  
 (3) ASSEMBLED SYSTEM TO BE PAINTED WITH INDUSTRIAL MACHINE ENAMEL PRIOR TO SHIPMENT.  
 - DENOTES CONTRACTOR POINT OF CONNECTION

**LISTED**  
 PACKAGED PUMPING SYSTEMS  
 & HEAT TRANSFER SYSTEMS

**UL**

APPROXIMATE SHIPPING WEIGHT: 966 LBS  
 APPROXIMATE OPERATING WEIGHT: 1,032 LBS

THIS DRAWING AND THE INFORMATION DEPICTED THEREIN IS THE PROPERTY OF FLOWTHERM SYSTEMS, A DIVISION OF CHC. COPIES ARE ISSUED IN STRICT CONFIDENCE AND ARE NOT TO BE REPRODUCED, COPIED, OR USED AS THE BASIS FOR MANUFACTURING OR SALE OF PRODUCT WITHOUT PRIOR WRITTEN PERMISSION OF CHC.

PROJECT NAME:  
 CUSTOMER:  
 DRAWN BY DATE: CH/15/16  
 CHECKED BY: APPROVED BY:  
 TOLERANCES UNLESS OTHERWISE SPECIFIED:  
 DEC. .500" FRACTION 1/2" ANGLE 5° SCALE 1" = 1'-0"

**FLOWTHERM systems**  
 HAYWARD, CALIFORNIA

DRAWING TITLE: VARIABLE SPEED DUPLEX PRESSURE BOOSTER  
 DRAWING No. FEV2-10  
 REV A