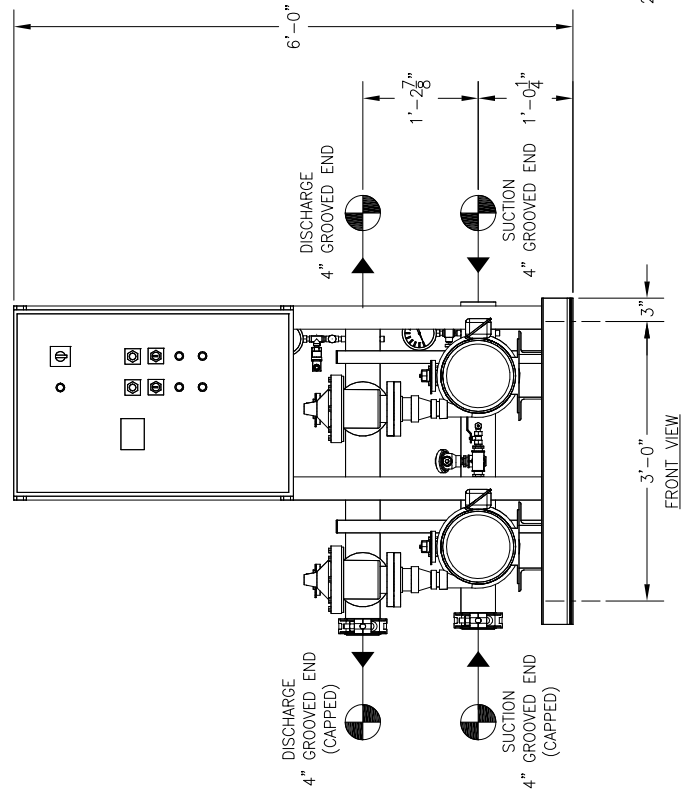
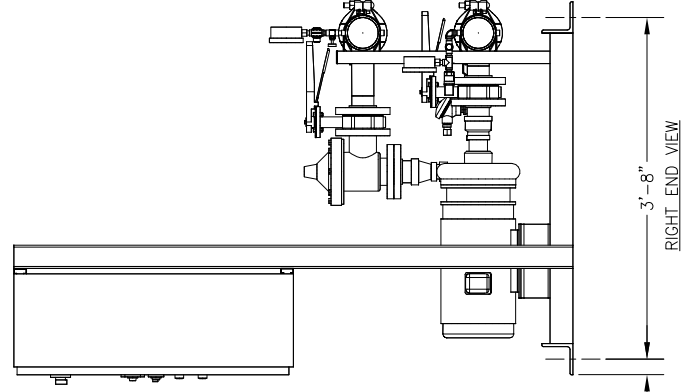


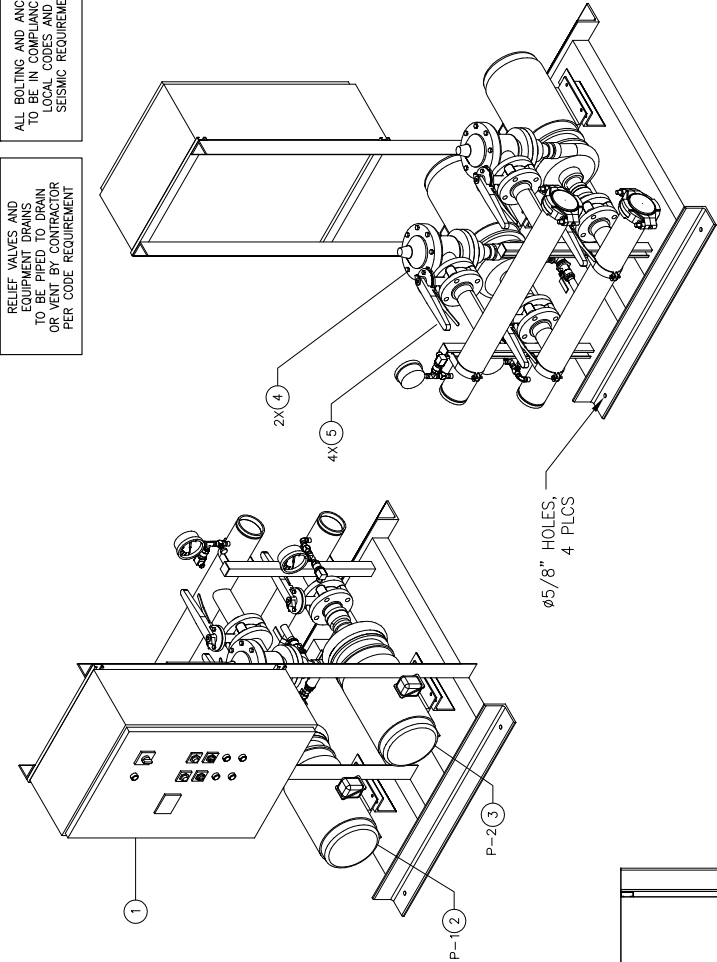
TOP VIEW



FRONT VIEW



RIGHT END VIEW



RELIEF VALVES AND EQUIPMENT DRAINS TO BE PIPED TO DRAIN OR TO THE STREET PER CODE REQUIREMENT.

ALL BOLTING AND ANCHORAGE TO BE IN COMPLIANCE WITH LOCAL CODES AND ANY SEISMIC REQUIREMENTS.

TOTAL FLOW		PSI		TOTAL DISCHARGE PRESSURE		AVAILABLE PRESSURE				
TOTAL SYSTEM CAPACITY										
3	P-2	GOULDS	1.5 X 2-8	-	7 1/2	3500	460 / 60 / 3	TEFC P.E.		
2	P-1	GOULDS	1.5 X 2-8	-	7 1/2	3500	460 / 60 / 3	TEFC P.E.		
ITEM	TAG	MANUFACTURER	SERIES	MODEL	GPM	TDH	HP	RPM	VOLTS/Hz/PH	ENCLOSURE
PUMP SCHEDULE										

GENERAL NOTES:  
 (1) SINGLE POINT POWER CONNECTION AT CONTROL PANEL.  
 (2) HYDRO PRESSURE CHECK AT 125 PSI.  
 (3) ASSEMBLED SYSTEM TO BE PAINTED WITH INDUSTRIAL MACHINE ENAMEL PRIOR TO SHIPMENT.

**UL LISTED**  
 PACKAGED PUMPING SYSTEMS  
 & HEAT TRANSFER SYSTEMS

APPROXIMATE SHIPPING WEIGHT: 1,184 LBS.  
 APPROXIMATE OPERATING WEIGHT: 1,250 LBS.

THE DRAWING AND THE INFORMATION DEPICTED THEREIN IS THE PROPERTY OF FLOWTHERM SYSTEMS, A DIVISION OF CHC. COPIES ARE MADE FOR RECORD PURPOSES AND ARE NOT TO BE USED FOR MANUFACTURING OR SALE OF THE PRODUCT WITHOUT PRIOR WRITTEN PERMISSION OF CHC.

PROJECT NAME:  
 CUSTOMER:  
 DRAWN BY DATE: 05/15/16  
 CHECKED BY APPROVED BY:  
 TOLERANCES UNLESS OTHERWISE SPECIFIED  
 DEC. .500"    FRACTION 1/2"    ANGLE 5°    SCALE 1" = 1'-0"

**FLOWTHERM systems**  
 HAYWARD, CALIFORNIA

DRAWING TITLE: VARIABLE SPEED DUPLEX PRESSURE BOOSTER  
 DRAWING No. FEV2-12  
 REV A