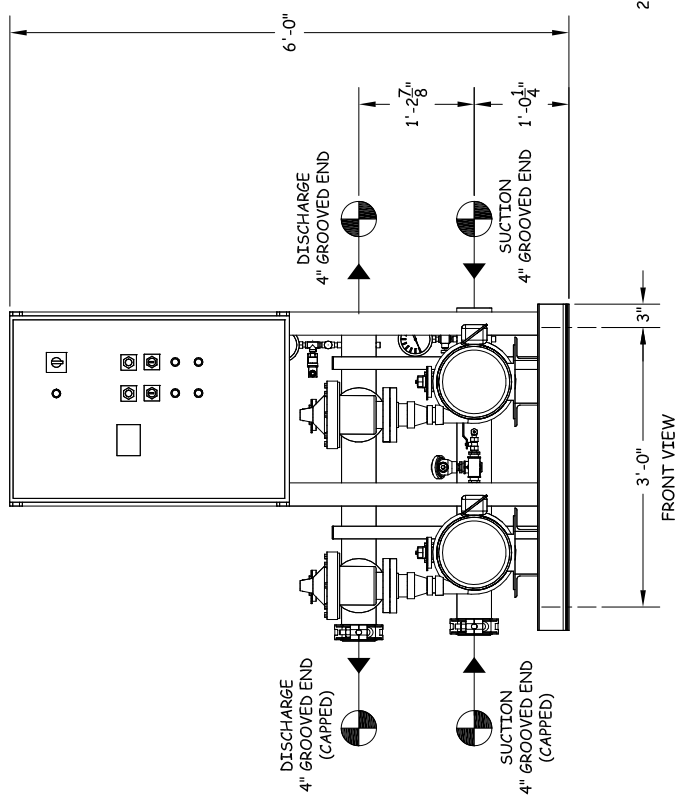
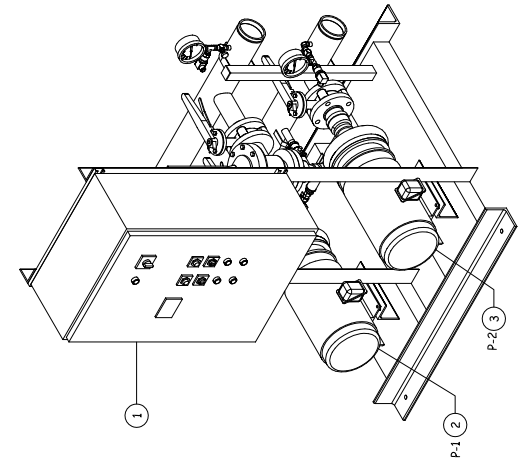


TOP VIEW



FRONT VIEW

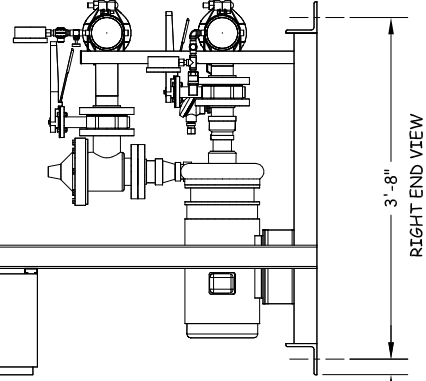


Ø5/8" BOLT HOLES, 4 PLCS

RELIEF VALVES AND EQUIPMENT DRAINS TO BE FIRED TO DRAIN OR TO VENT PER CODE REQUIREMENT.

ALL BOLTING AND ANCHORAGE TO BE IN COMPLIANCE WITH LOCAL CODES AND ANY SEISMIC REQUIREMENTS.

GPM		PSI		AVAILABLE PRESSURE						
TOTAL SYSTEM CAPACITY										
3	P-2	600LBS	11/2 X 2 - 8	-	10	3500	460 / 60 / 3	TEFC/P.E.		
2	P-1	600LBS	11/2 X 2 - 8	-	10	3500	460 / 60 / 3	TEFC/P.E.		
ITEM	TAG	MANUFACTURER	SERIES	MODEL	GPM	TDH	HP	RPM	VOLTS/PH/PH	ENCLOSURE
PUMP SCHEDULE										



RIGHT END VIEW

**GENERAL NOTES:**  
 (1) SINGLE POINT POWER CONNECTION AT CONTROL PANEL.  
 (2) HYDRO PRESSURE CHECK AT 125 PSI.  
 (3) ASSEMBLED SYSTEM TO BE PAINTED WITH INDUSTRIAL MACHINE ENAMEL PRIOR TO SHIPMENT.  
 - DENOTES CONTRACTOR POINT OF CONNECTION

**LISTED**  
 PACKAGED PUMPING SYSTEMS  
 & HEAT TRANSFER SYSTEMS

**UL**

APPROXIMATE SHIPPING WEIGHT: 1,238 LBS.  
 APPROXIMATE OPERATING WEIGHT: 1,304 LBS.

THIS DRAWING AND THE INFORMATION DEPICTED THEREIN IS THE PROPERTY OF FLOWTHERM SYSTEMS, A DIVISION OF CHC. COPIES ARE ISSUED IN STRICT CONFIDENCE AND ARE NOT TO BE REPRODUCED, COPIED, OR USED AS THE BASIS FOR MANUFACTURING OR SALE OF PRODUCT WITHOUT PRIOR WRITTEN PERMISSION OF CHC.

PROJECT NAME:  
 CUSTOMER:  
 DRAWN BY DATE: CH/15/16  
 CHECKED BY: APPROVED BY:  
 TOLERANCES UNLESS OTHERWISE SPECIFIED:  
 DEC. .500" FRACTIONAL ANGLE 5° SCALE 1" = 1'-0"  
 DRAWING No. FEV2-13 C  
 FAB No. FEV2-13  
 REV A

**FLOWTHERM** systems  
 HAYWARD, CALIFORNIA  
 FEV2-13 VARIABLE SPEED DUPLEX PRESSURE BOOSTER