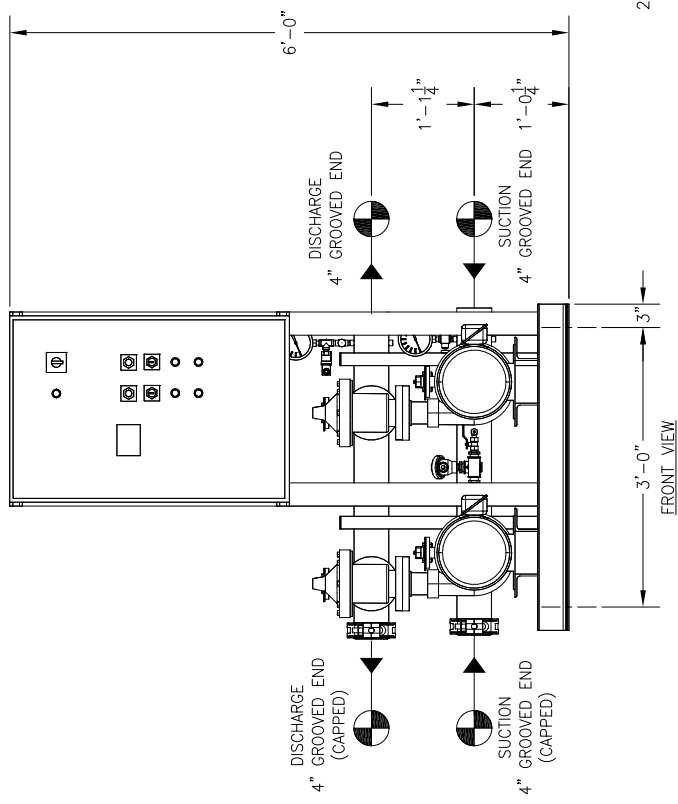
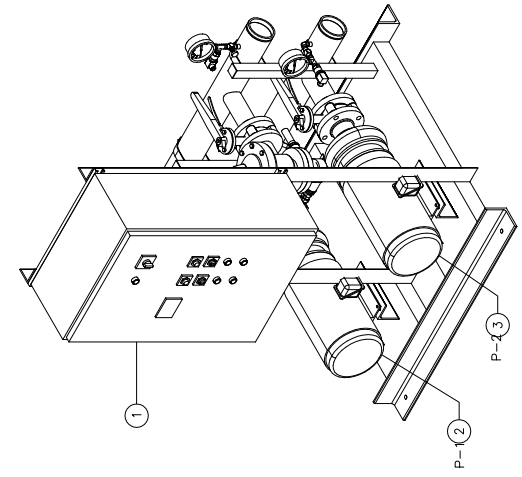


TOP VIEW

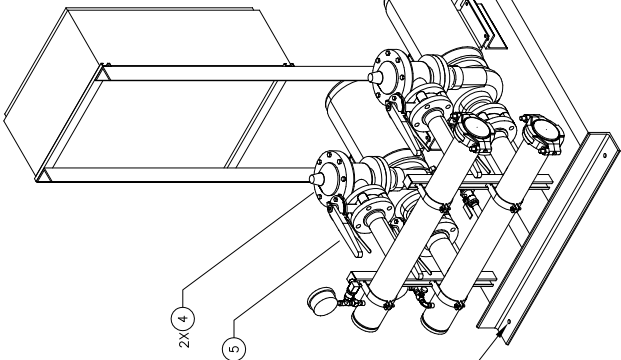


FRONT VIEW



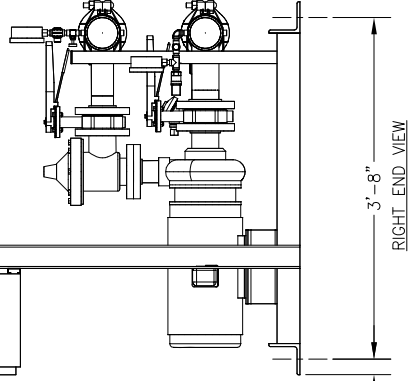
ø5/8" HOLES, 4 PLCS

RELIEF VALVES AND EQUIPMENT DRAINS TO BE PIPED TO DRAIN OR TO THE STREET PER CODE REQUIREMENT.



ALL BOLTING AND ANCHORAGE TO BE IN COMPLIANCE WITH LOCAL CODES AND ANY SEISMIC REQUIREMENTS.

TOTAL FLOW		TOTAL DISCHARGE PRESSURE		TOTAL SYSTEM CAPACITY		AVAILABLE PRESSURE				
GPM	PSI	GPM	PSI	GPM	PSI	GPM	PSI			
3	P-2	3656	2 1/2 X 3-7	-	15	3500	460 / 60 / 3	TEFC P.E.		
2	P-1	3656	2 1/2 X 3-7	-	15	3500	460 / 60 / 3	TEFC P.E.		
ITEM	TAG	MANUFACTURER	SERIES	MODEL	GPM	TDH	HP	RPM	VOLTS/Hz/PH	ENCLOSURE
PUMP SCHEDULE										



RIGHT END VIEW

GENERAL NOTES:
 (1) SINGLE POINT POWER CONNECTION AT CONTROL PANEL.
 (2) HYDRO PRESSURE CHECK AT 125 PSI.
 (3) ASSEMBLED SYSTEM TO BE PAINTED WITH INDUSTRIAL MACHINE ENAMEL PRIOR TO SHIPMENT.



LISTED
 PACKAGED PUMPING SYSTEMS
 & HEAT TRANSFER SYSTEMS

APPROXIMATE SHIPPING WEIGHT: 1,243 LBS.
 APPROXIMATE OPERATING WEIGHT: 1,308 LBS.

PROJECT NAME:
 CUSTOMER:
 DRAWN BY DATE: 05/18/16
 CHECKED BY APPROVED BY:
 TOLERANCES UNLESS OTHERWISE SPECIFIED
 DEC. .500" FRAC. 1/2" ANGLE 5' SCALE 1" = 1'-0"

DRAWING TITLE: VARIABLE SPEED DUPLEX PRESSURE BOOSTER
 HAYWARD, CALIFORNIA
 DRAWING No. FEV2-16
 REV. A

