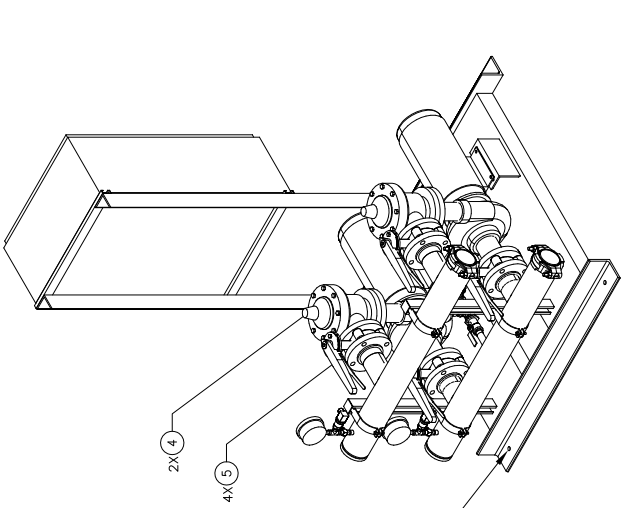
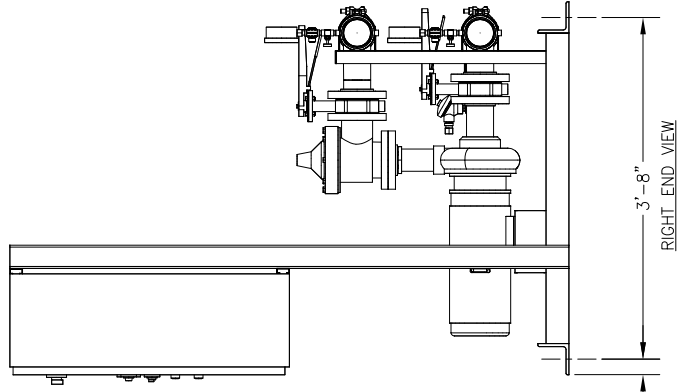
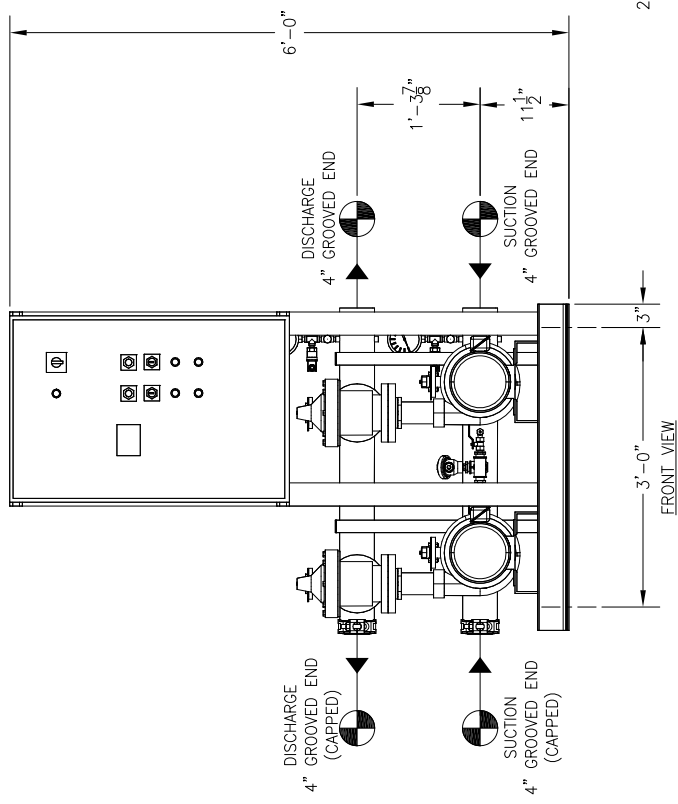


RELIEF VALVES AND EQUIPMENT DRAINS TO BE PIPED TO DRAIN OR TO THE STREET PER CODE REQUIREMENT.



ALL BOLTING AND ANCHORAGE TO BE IN COMPLIANCE WITH LOCAL CODES AND ANY SEISMIC REQUIREMENTS.

Ø5/8" HOLES, 4 PLCS



TOTAL FLOW		PSI		TOTAL DISCHARGE PRESSURE		AVAILABLE PRESSURE				
GPM		PSI		TOTAL SYSTEM CAPACITY		PSI				
3	P-2	GOULDS	3656	2 1/2 X 3-7	-	5	3500	460 / 60 / 3	TEFC P.E.	
2	P-1	GOULDS	3656	2 1/2 X 3-7	-	5	3500	460 / 60 / 3	TEFC P.E.	
ITEM	TAG	MANUFACTURER	SERIES	MODEL	GPM	TDH	HP	RPM	VOLTS/Hz/PH	ENCLOSURE
PUMP SCHEDULE										

GENERAL NOTES:

- (1) SINGLE POINT POWER CONNECTION AT CONTROL PANEL.
- (2) HYDRO PRESSURE CHECK AT 125 PSI.
- (3) ASSEMBLED SYSTEM TO BE PAINTED WITH INDUSTRIAL MACHINE ENAMEL PRIOR TO SHIPMENT.

⊕ = DENOTES CONTRACTOR POINT OF CONNECTION

UL LISTED
PACKAGED PUMPING SYSTEMS & HEAT TRANSFER SYSTEMS

APPROXIMATE SHIPPING WEIGHT: 1,147 LBS.
APPROXIMATE OPERATING WEIGHT: 1,212 LBS.

THE DRAWING AND THE INFORMATION DEPICTED THEREIN IS THE PROPERTY OF FLOWTHERM SYSTEMS, A DIVISION OF CHC. COPIES ARE BEING FOR CONSTRUCTION AND NOT TO BE USED FOR MANUFACTURING OR SALE OF THE PRODUCT WITHOUT PRIOR WRITTEN PERMISSION OF CHC.

PROJECT NAME:
CUSTOMER:
DRAWN BY DATE: 12/19/14
CHECKED BY APPROVED BY:
TOLERANCES UNLESS OTHERWISE SPECIFIED
DEC. .500" FRACTION: 1/2" ANGLE: 5° SCALE: 1" = 1'-0"

FLOWTHERM systems
HAYWARD, CALIFORNIA

DRAWING TITLE: VARIABLE SPEED DUPLEX PRESSURE BOOSTER

DRAWING No. FEV2-17
REV A