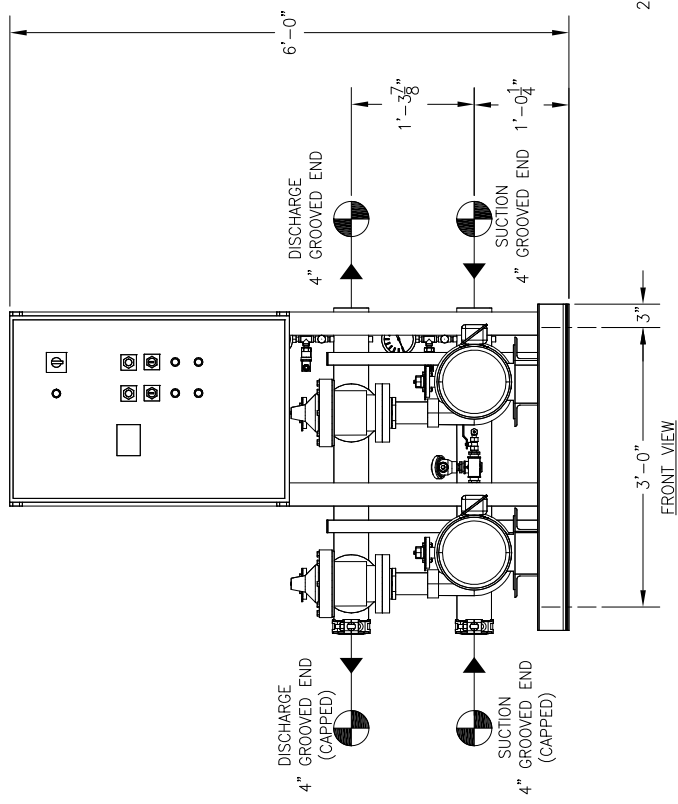
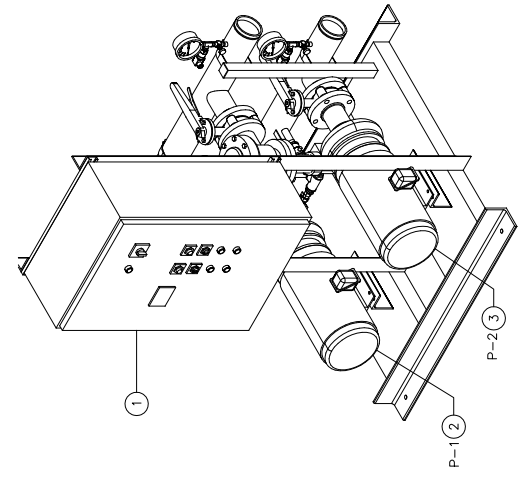


TOP VIEW



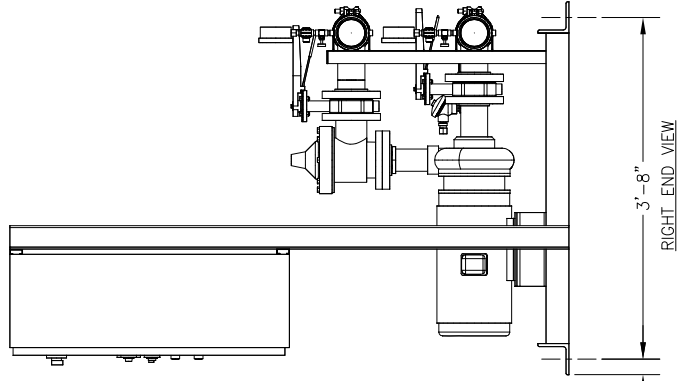
FRONT VIEW



ø5/8" HOLES, 4 PLCS

RELIEF VALVES AND EQUIPMENT DRAINS TO BE PIPED TO DRAIN OR TO THE STREET PER CODE REQUIREMENT.

ALL BOLTING AND ANCHORAGE TO BE IN COMPLIANCE WITH LOCAL CODES AND ANY SEISMIC REQUIREMENTS.



RIGHT END VIEW

TOTAL FLOW		PSI		TOTAL DISCHARGE PRESSURE		AVAILABLE PRESSURE	
GPM		PSI		TOTAL SYSTEM CAPACITY		PSI	
3	P-2	600LBS	125	3-7	-	7 1/2	3500
2	P-1	600LBS	125	3-7	-	7 1/2	3500
ITEM	TAG	MANUFACTURER	SERIES	MODEL	GPM	TDH	HP
					RPM	VOLTS/Hz/PH	ENCLOSURE

PUMP SCHEDULE							
3	P-2	600LBS	125	3-7	-	7 1/2	3500
2	P-1	600LBS	125	3-7	-	7 1/2	3500
ITEM	TAG	MANUFACTURER	SERIES	MODEL	GPM	TDH	HP
					RPM	VOLTS/Hz/PH	ENCLOSURE

UL LISTED
PACKAGED PUMPING SYSTEMS & HEAT TRANSFER SYSTEMS

FLOWTHERM systems
HAYWARD, CALIFORNIA

GENERAL NOTES:

- (1) SINGLE POINT POWER CONNECTION AT CONTROL PANEL.
- (2) HYDRO PRESSURE CHECK AT 125 PSI.
- (3) ASSEMBLED SYSTEM TO BE PAINTED WITH INDUSTRIAL MACHINE ENAMEL PRIOR TO SHIPMENT.

APPROXIMATE SHIPPING WEIGHT: 1,205 LBS.
APPROXIMATE OPERATING WEIGHT: 1,270 LBS.

PROJECT NAME:
CUSTOMER:
DRAWN BY DATE: 12/22/14
CHECKED BY APPROVED BY:
TOLERANCES UNLESS OTHERWISE SPECIFIED
DEC. .500" FRACTION: 1/2" ANGLE: 5" SCALE: 1" = 1'-0"

DRAWING TITLE: VARIABLE SPEED DUPLEX PRESSURE BOOSTER
DRAWING No. FEV2-18
REV A