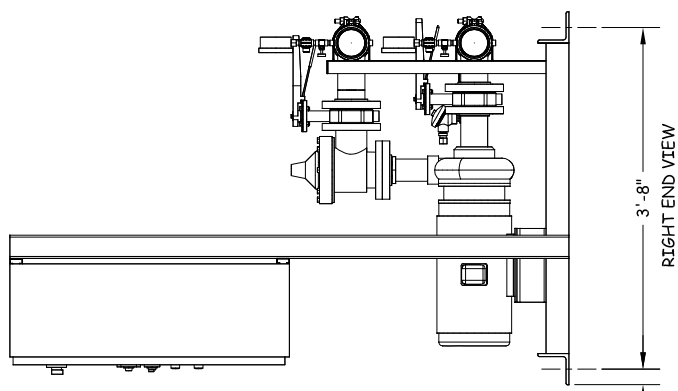
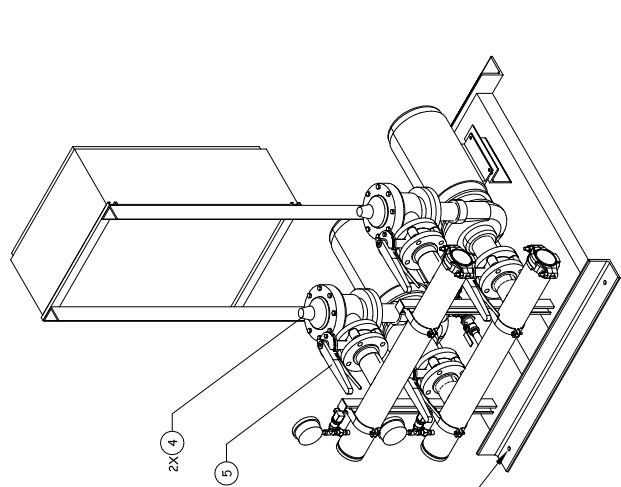


RELIEF VALVES AND EQUIPMENT DRAINS TO BE FIRED TO DRAIN OR TO BE FULFILLED PER CODE REQUIREMENT.



TOTAL FLOW		PSI		AVAILABLE PRESSURE						
GPM	TOTAL DISCHARGE PRESSURE	PSI	TOTAL SYSTEM CAPACITY	PSI	AVAILABLE PRESSURE					
3	P-2	600LBS	2 1/2 X 3 - 7	-	10	3500	460 / 60 / 3	TEFC/P.E.		
2	P-1	600LBS	2 1/2 X 3 - 7	-	10	3500	460 / 60 / 3	TEFC/P.E.		
ITEM	TAG	MANUFACTURER	SERIES	MODEL	GPM	TDH	HP	RPM	VOLTS/HZ/PH	ENCLOSURE

PUMP SCHEDULE

GENERAL NOTES:

- (1) SINGLE POINT POWER CONNECTION AT CONTROL PANEL.
- (2) HYDRO PRESSURE CHECK AT 125 PSI.
- (3) ASSEMBLED SYSTEM TO BE PAINTED WITH INDUSTRIAL MACHINE ENAMEL PRIOR TO SHIPMENT.

⊕ = DENOTES CONTRACTOR POINT OF CONNECTION

UL LISTED

PACKAGED PUMPING SYSTEMS & HEAT TRANSFER SYSTEMS

APPROXIMATE SHIPPING WEIGHT: 1,278 LBS.

APPROXIMATE OPERATING WEIGHT: 1,343 LBS.

THIS DRAWING AND THE INFORMATION DEPICTED THEREIN IS THE PROPERTY OF FLOWTHERM SYSTEMS, A DIVISION OF CHC. COPIES ARE ISSUED IN STRICT CONFIDENCE AND ARE NOT TO BE REPRODUCED, COPIED, OR USED AS THE BASIS FOR MANUFACTURING OR SALE OF PRODUCT WITHOUT PRIOR WRITTEN PERMISSION OF CHC.

TOLERANCES UNLESS OTHERWISE SPECIFIED:
DEC. .500"
FAC. 1/2"
ANG. 5°
SCALE 1" = 1'-0"

PROJECT NAME:

CUSTOMER:

DRAWN BY DATE 12/22/14

CHECKED BY APPROVED BY

FAB No. DRAWING No. FEV2-19

FEB2-19 VARIABLE SPEED DUPLEX PRESSURE BOOSTER

HAYWARD, CALIFORNIA

FLOWTHERM systems

REV A