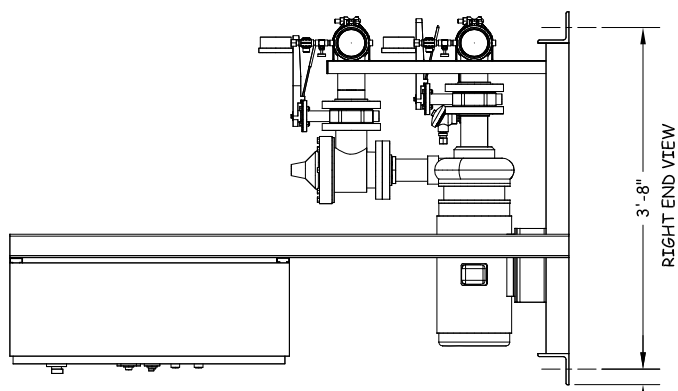


RELIEF VALVES AND EQUIPMENT DRAINS TO BE FIRED TO DRAIN OR TO BE FIRED PER CODE REQUIREMENT.

ALL BOLTING AND ANCHORAGE TO BE IN COMPLIANCE WITH LOCAL CODES AND ANY SEISMIC REQUIREMENTS.



GPM		PSI		TOTAL SYSTEM CAPACITY		AVAILABLE PRESSURE				
TOTAL FLOW	TOTAL DISCHARGE PRESSURE	TOTAL FLOW	TOTAL DISCHARGE PRESSURE	TOTAL FLOW	TOTAL DISCHARGE PRESSURE	TOTAL FLOW	TOTAL DISCHARGE PRESSURE			
3	P-2	600LBS	2 1/2 X 3 - 7	-	15	3500	460 / 60 / 3			
2	P-1	600LBS	2 1/2 X 3 - 7	-	15	3500	460 / 60 / 3			
ITEM	TAG	MANUFACTURER	SERIES	MODEL	GPM	TDH	HP	RPM	VOLTS/HZ/PH	ENCLOSURE
PUMP SCHEDULE										

GENERAL NOTES:

- (1) SINGLE POINT POWER CONNECTION AT CONTROL PANEL.
- (2) HYDRO PRESSURE CHECK AT 125 PSI.
- (3) ASSEMBLED SYSTEM TO BE PAINTED WITH INDUSTRIAL MACHINE ENAMEL PRIOR TO SHIPMENT.

○ = DENOTES CONTRACTOR POINT OF CONNECTION

UL

LISTED

PACKAGED PUMPING SYSTEMS & HEAT TRANSFER SYSTEMS

APPROXIMATE SHIPPING WEIGHT: 1,278 LBS.

APPROXIMATE OPERATING WEIGHT: 1,343 LBS.

THIS DRAWING AND THE INFORMATION DERIVED THEREIN IS THE PROPERTY OF FLOWTHERM SYSTEMS, A DIVISION OF CHC. COPIES ARE ISSUED IN STRICT CONFIDENCE AND ARE NOT TO BE REPRODUCED, COPIED, OR USED AS THE BASIS FOR MANUFACTURING OR SALE OF PRODUCT WITHOUT PRIOR WRITTEN PERMISSION OF CHC.

PROJECT NAME:

CUSTOMER:

DRAWN BY DATE: 12/22/14

CHECKED BY: APPROVED BY:

TOLERANCES UNLESS OTHERWISE SPECIFIED:

DEC. .500"

FRACTION: 1/2"

ANGLE: 5°

SCALE: 1" = 1'-0"

FLOWTHERM systems

HAYWARD, CALIFORNIA

DRAWING No. FEV2-20

FAB No. FEV2-20

REV A