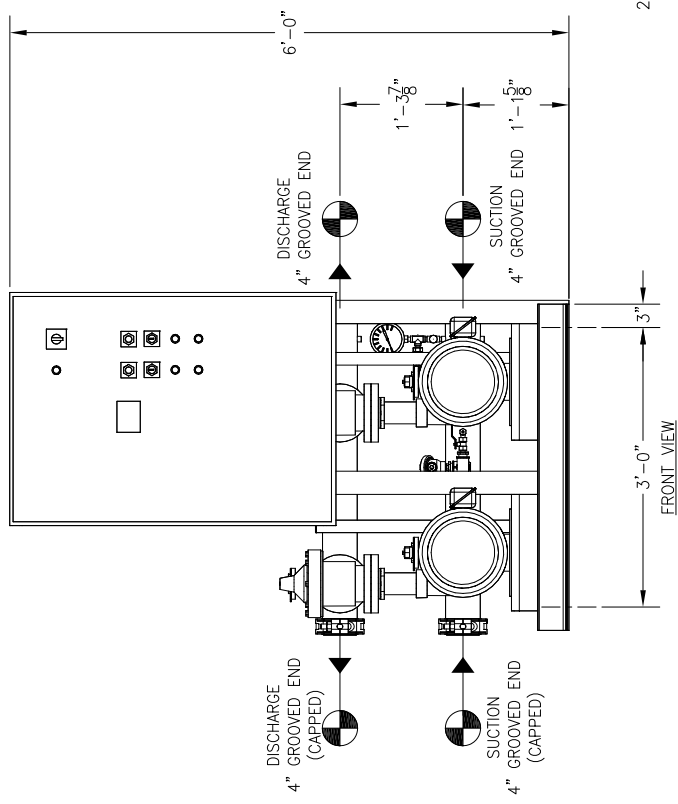
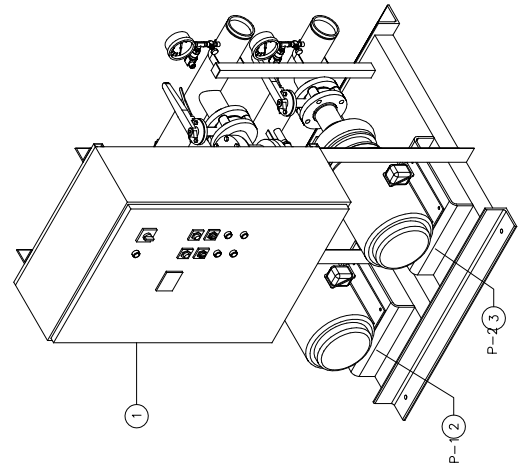


TOP VIEW

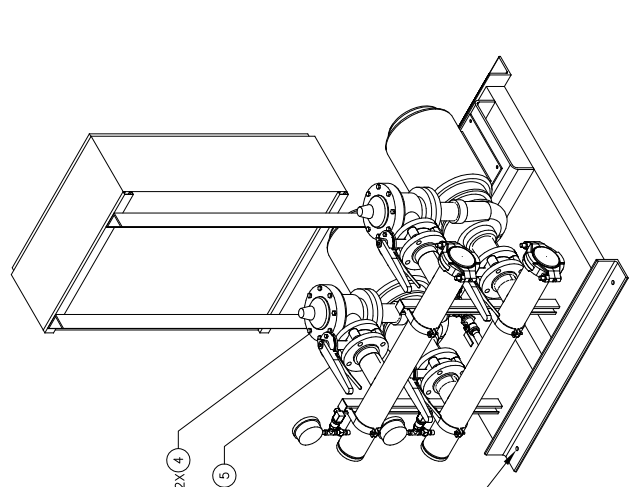


FRONT VIEW



ø5/8" HOLES, 4 PLCS

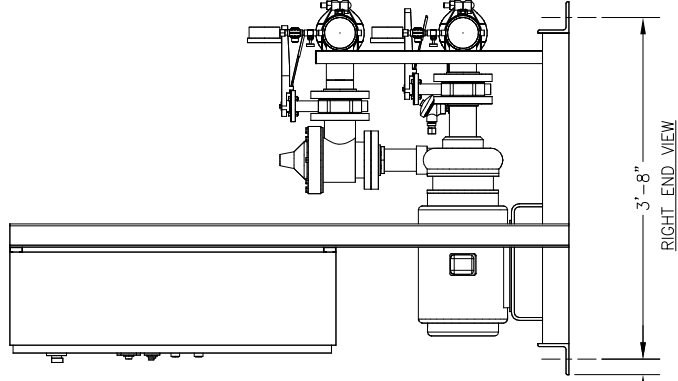
RELIEF VALVES AND EQUIPMENT DRAINS TO BE PIPED TO DRAIN OR TO THE STREET PER CODE REQUIREMENT.



ALL BOLTING AND ANCHORAGE TO BE IN COMPLIANCE WITH LOCAL CODES AND ANY SEISMIC REQUIREMENTS.

TOTAL FLOW		TOTAL DISCHARGE PRESSURE		TOTAL SYSTEM CAPACITY		AVAILABLE PRESSURE				
GPM	PSI	GPM	PSI	GPM	PSI	GPM	PSI			
3	P-2	3656	2.5 X 3 - 7	-	-	20	3500	460 / 60 / 3	TEFC P.E.	
2	P-1	3656	2.5 X 3 - 7	-	-	20	3500	460 / 60 / 3	TEFC P.E.	
ITEM	TAG	MANUFACTURER	SERIES	MODEL	GPM	TDH	HP	RPM	VOLTS/Hz/PH	ENCLOSURE

PUMP SCHEDULE



RIGHT END VIEW

THE DRAWING AND THE INFORMATION DEPICTED THEREIN IS THE PROPERTY OF FLOWTHERM SYSTEMS, A DIVISION OF CHC. COPIES ARE BEING FOR CONSTRUCTION AND NOT TO BE USED FOR MANUFACTURING OR SALE OF THE PRODUCT WITHOUT PRIOR WRITTEN PERMISSION OF CHC.

**UL LISTED**  
PACKAGED PUMPING SYSTEMS & HEAT TRANSFER SYSTEMS

APPROXIMATE SHIPPING WEIGHT: 1,739 LBS.  
APPROXIMATE OPERATING WEIGHT: 1,804 LBS.

GENERAL NOTES:  
(1) SINGLE POINT POWER CONNECTION AT CONTROL PANEL.  
(2) HYDRO PRESSURE CHECK AT 125 PSI.  
(3) ASSEMBLED SYSTEM TO BE PAINTED WITH INDUSTRIAL MACHINE ENAMEL PRIOR TO SHIPMENT.

☉ = DENOTES CONTRACTOR POINT OF CONNECTION

PROJECT NAME:  
CUSTOMER:  
DRAWN BY DATE: 12/22/14  
CHECKED BY APPROVED BY:  
TOLERANCES UNLESS OTHERWISE SPECIFIED  
DEC. .500"    FRACTION: 1/2"    ANGLE: 5"    SCALE: 1" = 1'-0"

DRAWING TITLE:  
VARIBLE SPEED DUPLEX PRESSURE BOOSTER

FAB No.    DRAWING No.    REV. A

