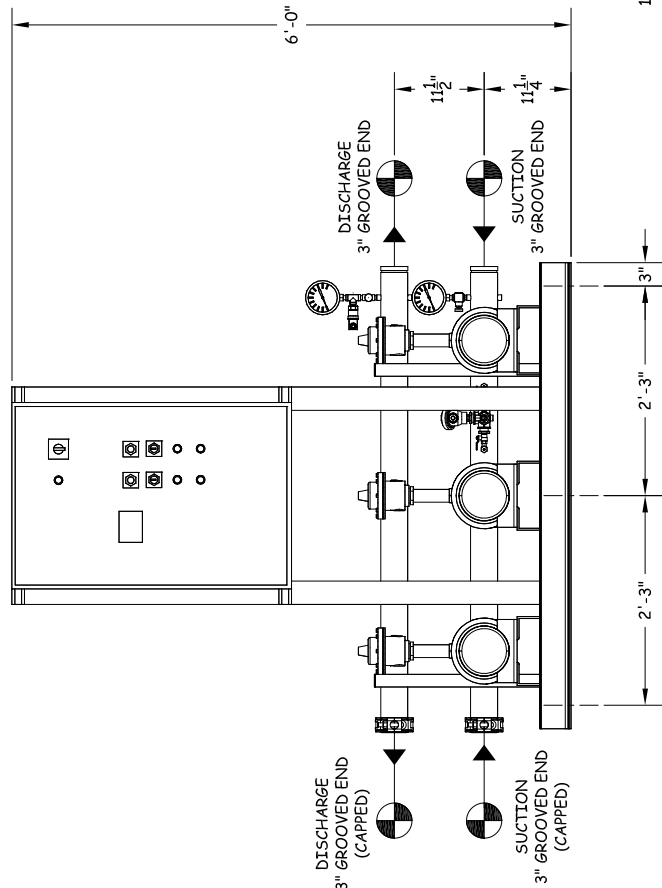
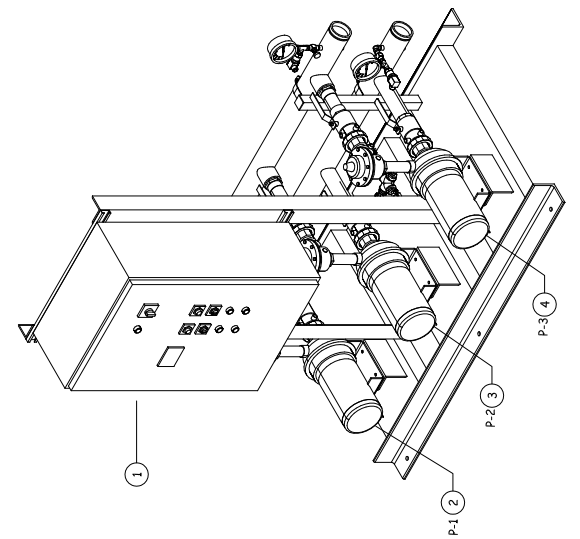


42" SERVICE CLEARANCE  
REQUIRED IN FRONT  
OF CONTROL PANEL

TOP VIEW

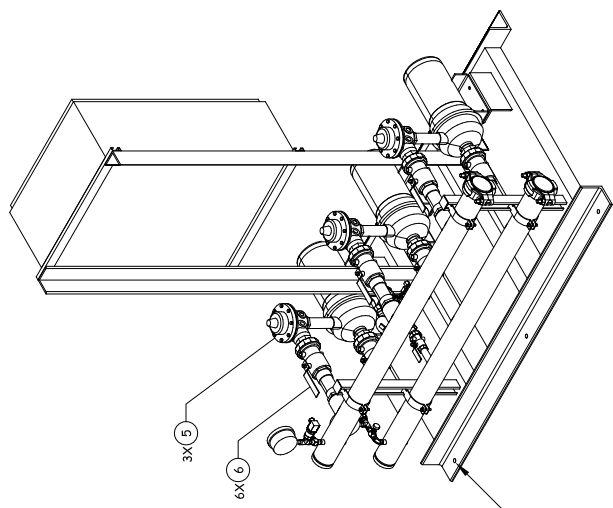


FRONT VIEW



Ø5/8" BOLT HOLES,  
6 PLCS

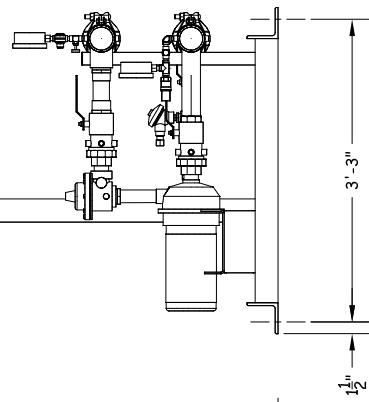
RELIEF VALVES AND  
EQUIPMENT DRAINS  
TO BE FIRED TO DRAIN  
OR TO VENT TO ATMOSPHERE  
PER CODE REQUIREMENT.



ALL BOLTING AND ANCHORAGE  
TO BE IN COMPLIANCE WITH  
LOCAL CODES AND ANY  
SEISMIC REQUIREMENTS.

- GPM		- PSI		- PSI						
TOTAL FLOW		TOTAL DISCHARGE PRESSURE		AVAILABLE PRESSURE						
3	P-3	GOULDS	NPE 1.25 X 15 - 6	-	11/2	3500	460 / 60 / 3	TEFC/P.E.		
2	P-2	GOULDS	NPE 1.25 X 15 - 6	-	11/2	3500	460 / 60 / 3	TEFC/P.E.		
1	P-1	GOULDS	NPE 1.25 X 15 - 6	-	11/2	3500	460 / 60 / 3	TEFC/P.E.		
ITEM	TAG	MANUFACTURER	SERIES	MODEL	GPM	TDH	HP	RPM	VOLTS/Hz/PH	ENCLOSURE

PUMP SCHEDULE



RIGHT END VIEW

**GENERAL NOTES:**

- (1) SINGLE POINT POWER CONNECTION AT CONTROL PANEL.
- (2) HYDRO PRESSURE CHECK AT 125 PSI.
- (3) ASSEMBLED SYSTEM TO BE PAINTED WITH INDUSTRIAL MACHINE ENAMEL PRIOR TO SHIPMENT.

= DENOTES CONTRACTOR POINT OF CONNECTION

**LISTED**  
PACKAGED PUMPING SYSTEMS  
& HEAT TRANSFER SYSTEMS

**UL**

APPROXIMATE SHIPPING WEIGHT: 854 LBS  
APPROXIMATE OPERATING WEIGHT: 926 LBS

**PROJECT NAME:**  
CUSTOMER:  
DRAWN BY DATE: 12/22/14  
CHECKED BY: APPROVED BY:  
TOLERANCES UNLESS OTHERWISE SPECIFIED:  
DEC. .500" FRACTION 1/2" ANGLE 5° SCALE 1" = 1'-0"

**EQUIPMENT SCHEDULE**

**FLOWTHERM systems**  
HAYWARD, CALIFORNIA

DRAWING TITLE: VARIABLE SPEED TRIPLE X PRESSURE BOOSTER  
DRAWING No. FEV3-1  
REV A