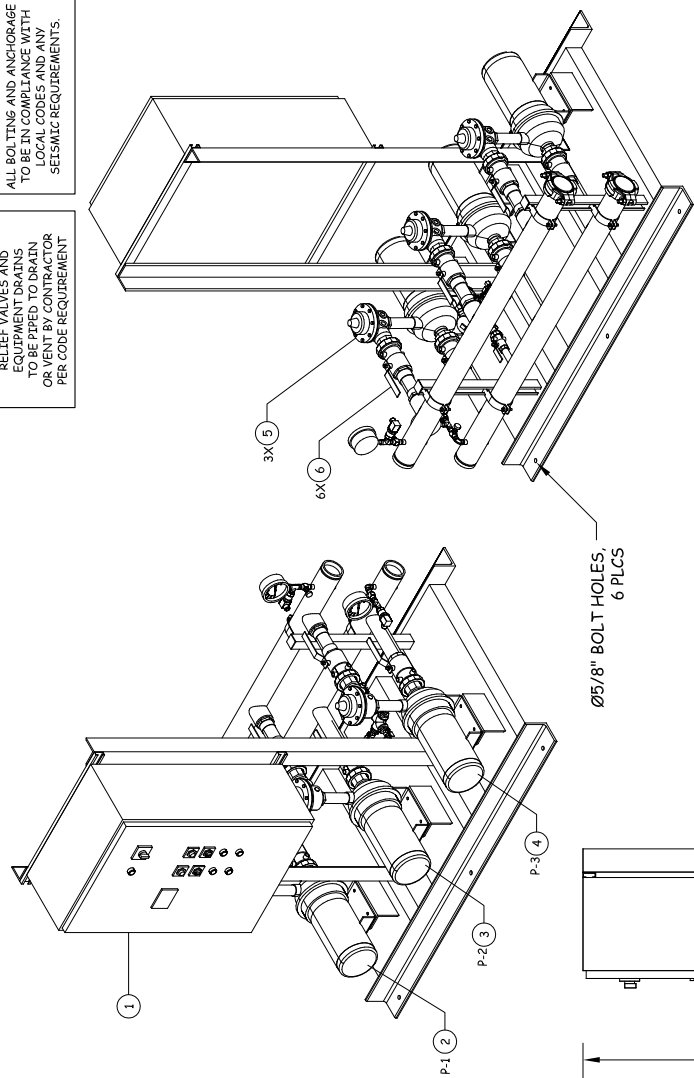
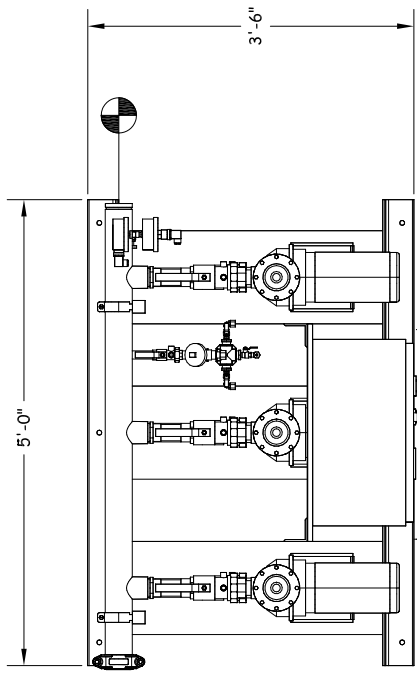


RELIEF VALVES AND EQUIPMENT DRAINS TO BE FITTED TO DRAIN OR TO A SINK PER CODE REQUIREMENT.

ALL BOLTING AND ANCHORAGE TO BE IN COMPLIANCE WITH LOCAL CODES AND ANY SEISMIC REQUIREMENTS.

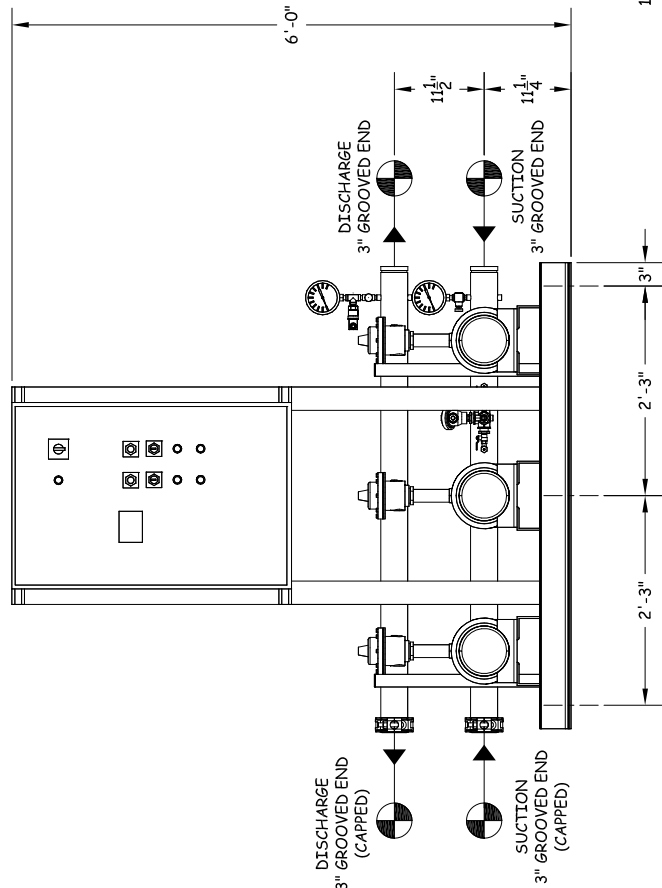


Ø5/8" BOLT HOLES, 6 PLCS



42" SERVICE CLEARANCE REQUIRED IN FRONT OF CONTROL PANEL

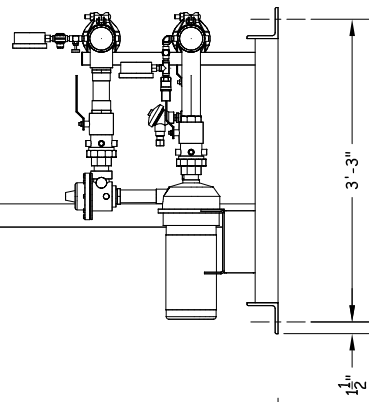
TOP VIEW



DISCHARGE 3" GROOVED END (CAPPED)

SUCTION 3" GROOVED END (CAPPED)

FRONT VIEW



RIGHT END VIEW

- GPM		- PSI		- PSI					
TOTAL FLOW		TOTAL DISCHARGE PRESSURE		AVAILABLE PRESSURE					
TOTAL SYSTEM CAPACITY									
3	P-3	GOULDS	NPE	1.25 X 15 - 6	-	2	3500	460 / 60 / 3	TEFC/P.E.
2	P-2	GOULDS	NPE	1.25 X 15 - 6	-	2	3500	460 / 60 / 3	TEFC/P.E.
1	P-1	GOULDS	NPE	1.25 X 15 - 6	-	2	3500	460 / 60 / 3	TEFC/P.E.
ITEM	TAG	MANUFACTURER	SERIES	MODEL	GPM	TDH	HP	RPM	VOLTS/HZ/PH

PUMP SCHEDULE									
3	P-3	GOULDS	NPE	1.25 X 15 - 6	-	2	3500	460 / 60 / 3	TEFC/P.E.
2	P-2	GOULDS	NPE	1.25 X 15 - 6	-	2	3500	460 / 60 / 3	TEFC/P.E.
1	P-1	GOULDS	NPE	1.25 X 15 - 6	-	2	3500	460 / 60 / 3	TEFC/P.E.
ITEM	TAG	MANUFACTURER	SERIES	MODEL	GPM	TDH	HP	RPM	VOLTS/HZ/PH

UL LISTED

PACKAGED PUMPING SYSTEMS & HEAT TRANSFER SYSTEMS

APPROXIMATE SHIPPING WEIGHT: 874 LBS

APPROXIMATE OPERATING WEIGHT: 945 LBS

FLOWTHERM systems

HAYWARD, CALIFORNIA

FEV3-2 VARIABLE SPEED TRIPLEX PRESSURE BOOSTER

PROJECT NAME: _____

CUSTOMER: _____

DRAWN BY DATE: _____ CHECKED BY APPROVED BY _____

12/22/14

TOLERANCES UNLESS OTHERWISE SPECIFIED

DEC. .500" FRACTIONAL ANGLE 5° SCALE 1" = 1'-0"

1/2" C

GENERAL NOTES:

- (1) SINGLE POINT POWER CONNECTION AT CONTROL PANEL.
- (2) HYDRO PRESSURE CHECK AT 125 PSI.
- (3) ASSEMBLED SYSTEM TO BE PAINTED WITH INDUSTRIAL MACHINE ENAMEL PRIOR TO SHIPMENT.

⊕ = DENOTES CONTRACTOR POINT OF CONNECTION