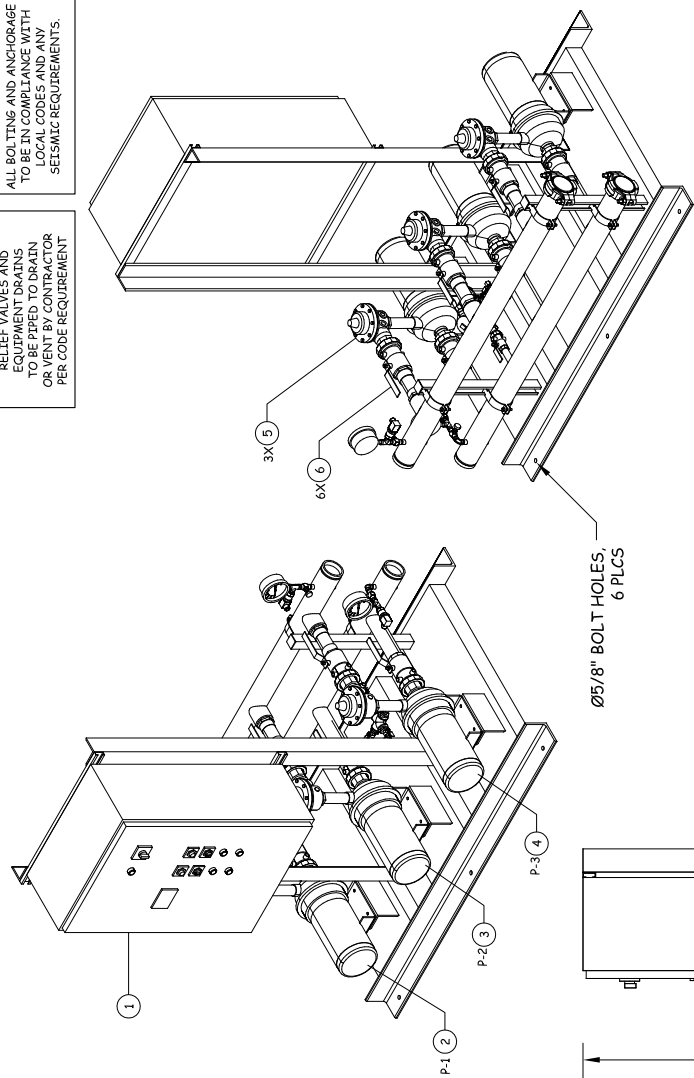
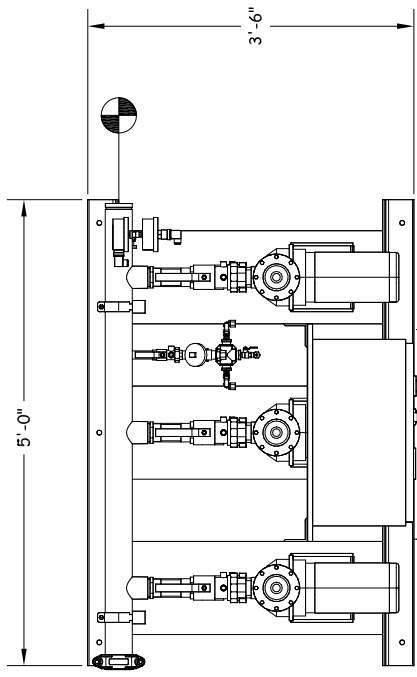


RELIEF VALVES AND ANCHORAGE EQUIPMENT DRAINS TO BE IN COMPLIANCE WITH LOCAL CODES AND ANY OTHER REQUIREMENTS PER CODE REQUIREMENTS.

ALL BOLTING AND ANCHORAGE TO BE IN COMPLIANCE WITH LOCAL CODES AND ANY OTHER REQUIREMENTS PER CODE REQUIREMENTS.

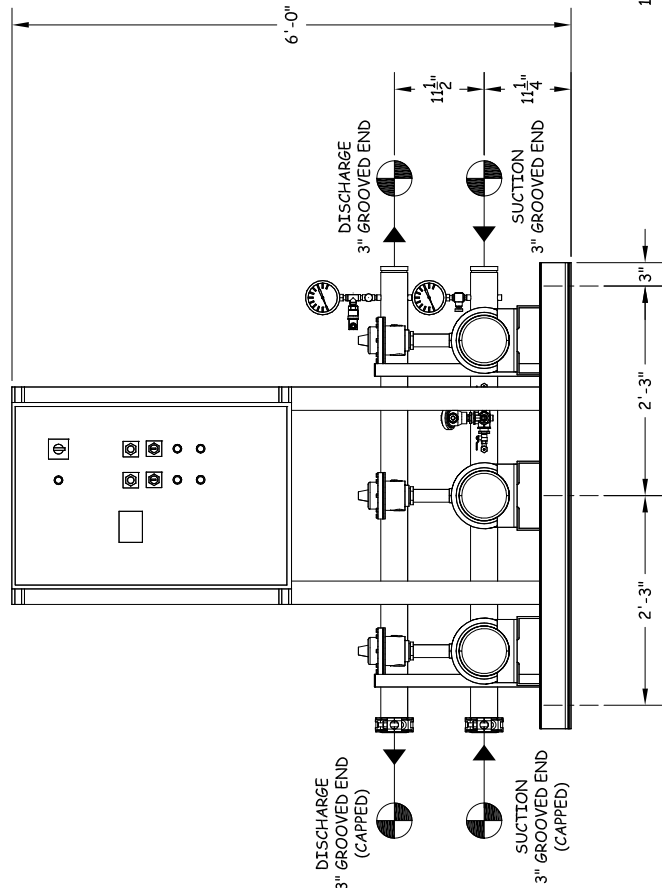


Ø5/8" BOLT HOLES, 6 PLCS

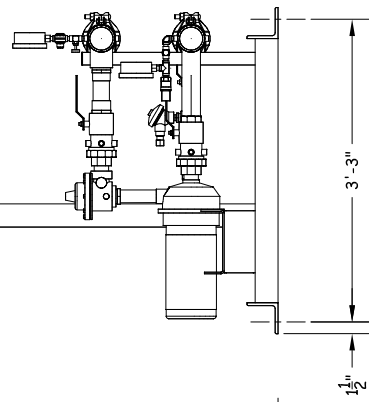


42" SERVICE CLEARANCE REQUIRED IN FRONT OF CONTROL PANEL

TOP VIEW



FRONT VIEW



RIGHT END VIEW

- GPM		- PSI		- PSI	
TOTAL FLOW		TOTAL DISCHARGE PRESSURE		AVAILABLE PRESSURE	
3	P-3	3500	460 / 60 / 3	3	3500
2	P-2	3500	460 / 60 / 3	3	3500
1	P-1	3500	460 / 60 / 3	3	3500
ITEM	TAG	MANUFACTURER	SERIES	MODEL	GPM TDH HP RPM VOLTS/HZ/PH ENCLOSURE

PUMP SCHEDULE

**FLOWTHERM** systems  
HAYWARD, CALIFORNIA

PROJECT NAME: FEV3-3 VARIABLE SPEED TRIPLEX PRESSURE BOOSTER  
DRAWING No. FEV3-3  
REV A

CUSTOMER: \_\_\_\_\_  
DRAWN BY DATE: \_\_\_\_\_  
CHECKED BY APPROVED BY: \_\_\_\_\_  
TOLERANCES UNLESS OTHERWISE SPECIFIED: DEC. 500" 1/2" 1/2" 5" 1" = 1'-0"

THIS DRAWING AND THE INFORMATION DEPICTED THEREIN IS THE PROPERTY OF FLOWTHERM SYSTEMS, A DIVISION OF CHC. COPIES ARE ISSUED IN STRICT CONFIDENCE AND ARE NOT TO BE REPRODUCED, COPIED, OR USED AS THE BASIS FOR MANUFACTURING OR SALE OF PRODUCT WITHOUT PRIOR WRITTEN PERMISSION OF CHC.

APPROXIMATE SHIPPING WEIGHT: 887 LBS  
APPROXIMATE OPERATING WEIGHT: 959 LBS

**LISTED**  
PACKAGED PUMPING SYSTEMS & HEAT TRANSFER SYSTEMS

GENERAL NOTES:  
(1) SINGLE POINT POWER CONNECTION AT CONTROL PANEL.  
(2) HYDRO PRESSURE CHECK AT 125 PSI.  
(3) ASSEMBLED SYSTEM TO BE PAINTED WITH INDUSTRIAL MACHINE ENAMEL PRIOR TO SHIPMENT.

= DENOTES CONTRACTOR POINT OF CONNECTION