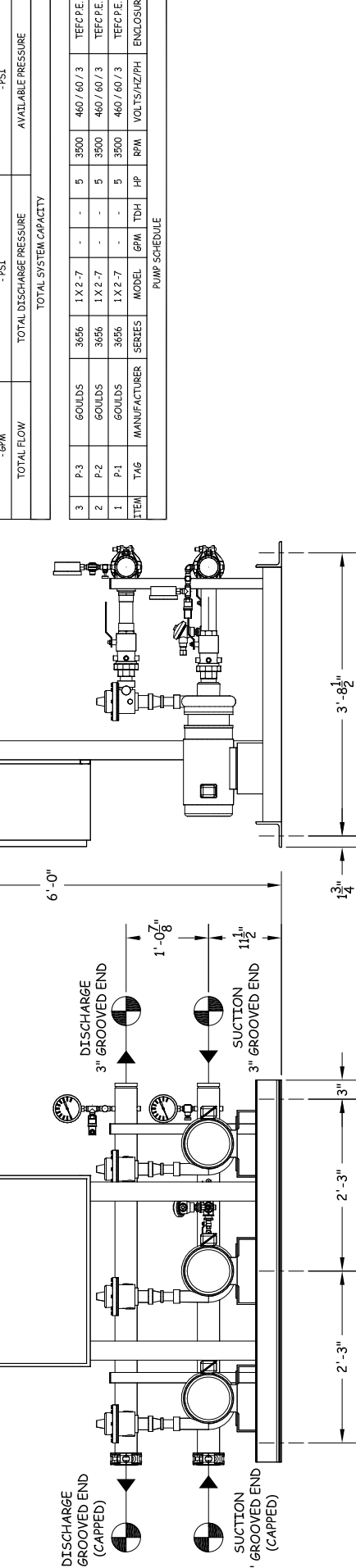
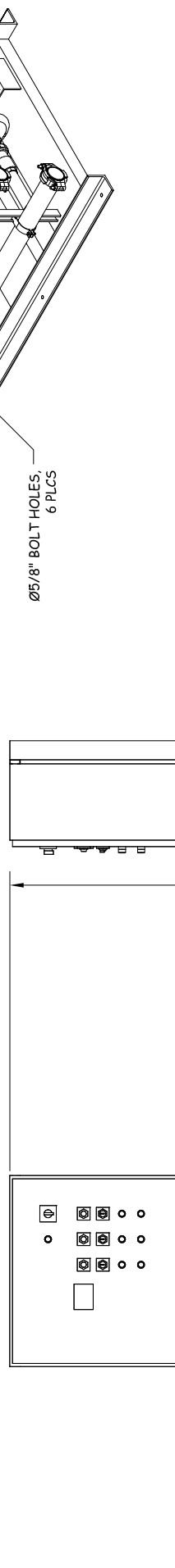
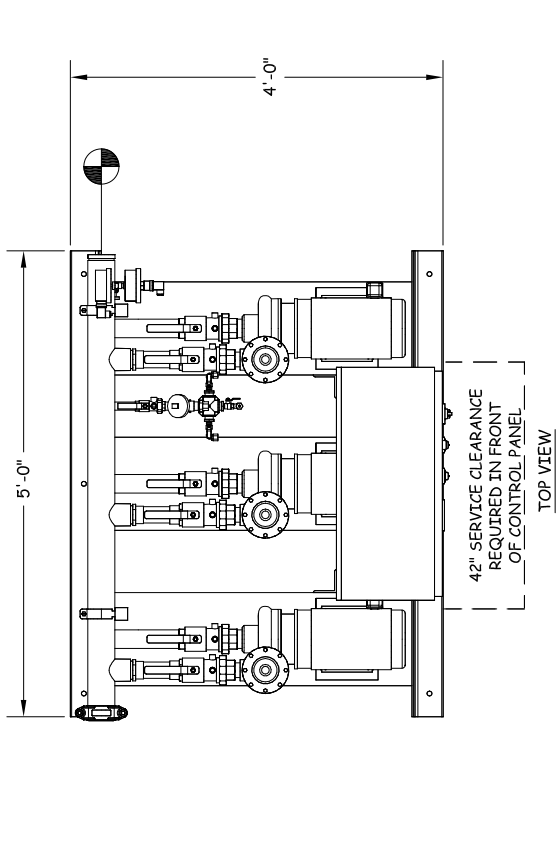
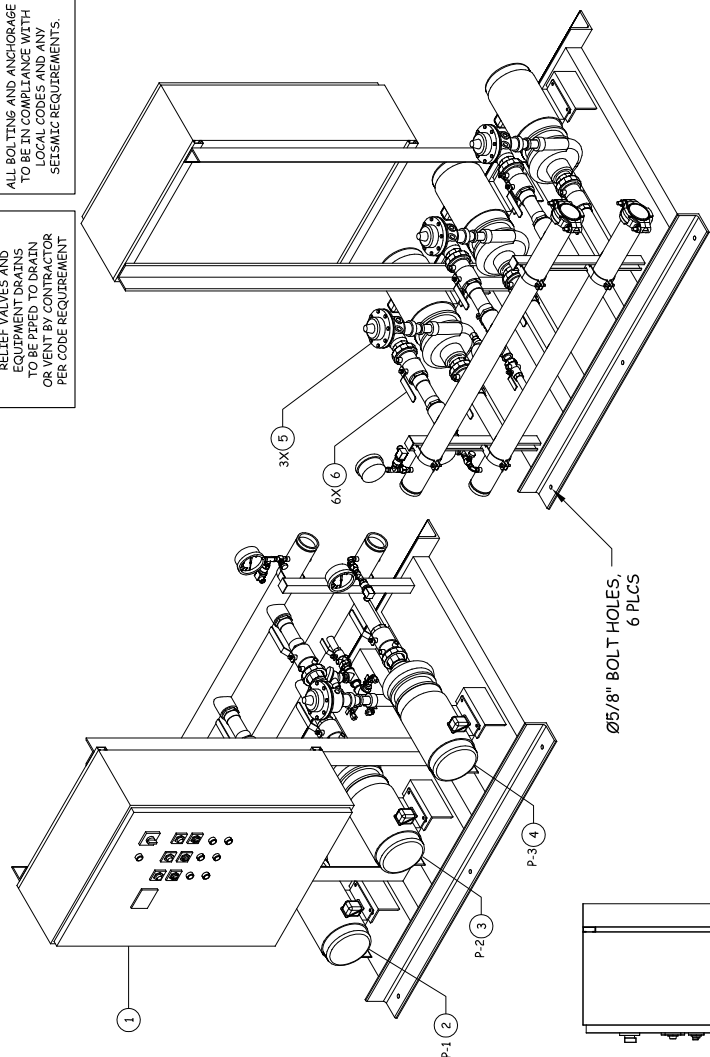


RELIEF VALVES AND ANCHORAGE EQUIPMENT DRAINS TO BE IN COMPLIANCE WITH LOCAL CODES AND ANY SEISMIC REQUIREMENTS.

ALL BOLTING AND ANCHORAGE TO BE IN COMPLIANCE WITH LOCAL CODES AND ANY SEISMIC REQUIREMENTS.



- GPM		- PSI		- PSI						
TOTAL FLOW		TOTAL DISCHARGE PRESSURE		AVAILABLE PRESSURE						
TOTAL SYSTEM CAPACITY										
3	P-3	600LBS	3656	1 X 2-7	5	3500	460 / 60 / 3	TEFC/P.E.		
2	P-2	600LBS	3656	1 X 2-7	5	3500	460 / 60 / 3	TEFC/P.E.		
1	P-1	600LBS	3656	1 X 2-7	5	3500	460 / 60 / 3	TEFC/P.E.		
ITEM	TAG	MANUFACTURER	SERIES	MODEL	GPM	TDH	HP	RPM	VOLTS/HZ/PH	ENCLOSURE

PUMP SCHEDULE

FLOWTHERM systems
HAYWARD, CALIFORNIA

PROJECT NAME:
CUSTOMER:
DRAWN BY DATE: 12/23/14
CHECKED BY: APPROVED BY:
TOLERANCES UNLESS OTHERWISE SPECIFIED:
DEC. .500" FRACTION 1/2" ANGLE 5° SCALE 1" = 1'-0"

THIS DRAWING AND THE INFORMATION DERIVED THEREIN IS THE PROPERTY OF FLOWTHERM SYSTEMS, A DIVISION OF CHC. COPIES ARE ISSUED IN STRICT CONFIDENCE AND ARE NOT TO BE REPRODUCED OR USED AS THE BASIS FOR MANUFACTURING OR SALE OF PRODUCT WITHOUT PRIOR WRITTEN PERMISSION OF CHC.

UL LISTED
PACKAGED PUMPING SYSTEMS & HEAT TRANSFER SYSTEMS

APPROXIMATE SHIPPING WEIGHT: 1,291 LBS.
APPROXIMATE OPERATING WEIGHT: 1,365 LBS.

GENERAL NOTES:
(1) SINGLE POINT POWER CONNECTION AT CONTROL PANEL.
(2) HYDRO PRESSURE CHECK AT 125 PSI.
(3) ASSEMBLED SYSTEM TO BE PAINTED WITH INDUSTRIAL MACHINE ENAMEL PRIOR TO SHIPMENT.
- DENOTES CONTRACTOR POINT OF CONNECTION