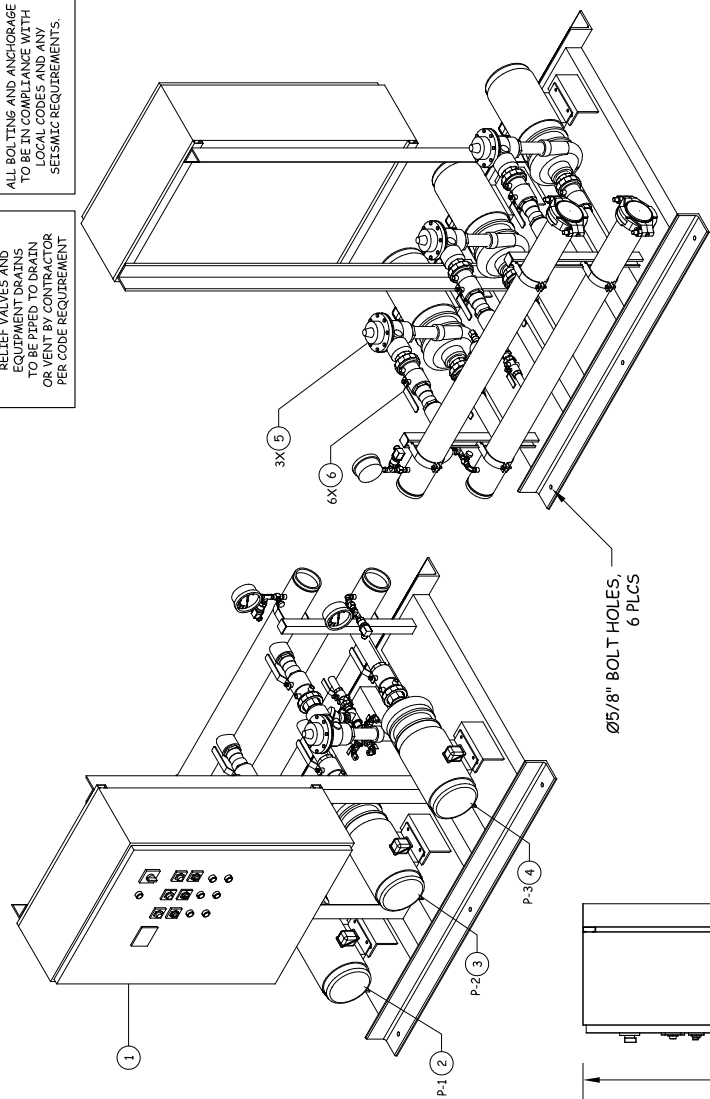
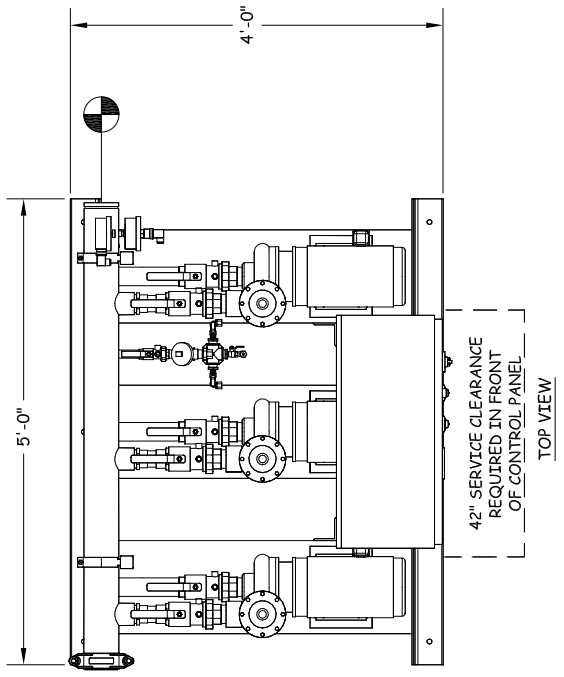


RELIEF VALVES AND EQUIPMENT DRAINS TO BE FIRED TO DRAIN OR TO ANCHORAGE PER CODE REQUIREMENT.

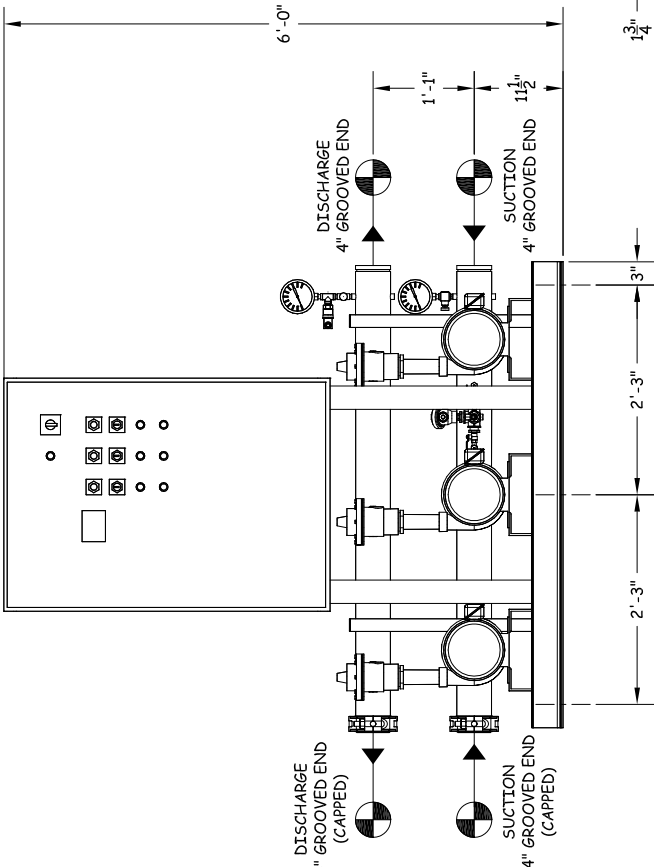
ALL BOLTING AND ANCHORAGE TO BE IN COMPLIANCE WITH LOCAL CODES AND ANY SEISMIC REQUIREMENTS.



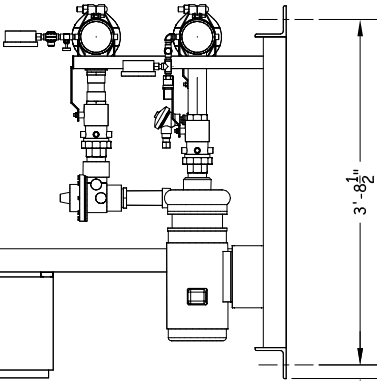
Ø5/8" BOLT HOLES, 6 PLCS



42" SERVICE CLEARANCE REQUIRED IN FRONT OF CONTROL PANEL.



FRONT VIEW



RIGHT END VIEW

- GPM		- PSI		- PSI						
TOTAL FLOW		TOTAL DISCHARGE PRESSURE		AVAILABLE PRESSURE						
3	P-3	600LBS	11/2 X 2-6	-	3	3500	460 / 60 / 3	TEFC/P.E.		
2	P-2	600LBS	11/2 X 2-6	-	3	3500	460 / 60 / 3	TEFC/P.E.		
1	P-1	600LBS	11/2 X 2-6	-	3	3500	460 / 60 / 3	TEFC/P.E.		
ITEM	TAG	MANUFACTURER	SERIES	MODEL	GPM	TDH	HP	RPM	VOLTS/HZ/PH	ENCLOSURE

PUMP SCHEDULE

**FLOWTHERM** systems  
HAYWARD, CALIFORNIA

PROJECT NAME:  
CUSTOMER:  
DRAWN BY DATE: 12/29/14  
CHECKED BY: APPROVED BY:  
TOLERANCES UNLESS OTHERWISE SPECIFIED:  
DEC. .500" FRACTION 1/2" ANGLE 5° SCALE 1" = 1'-0"

THIS DRAWING AND THE INFORMATION DERIVED THEREIN IS THE PROPERTY OF FLOWTHERM SYSTEMS, A DIVISION OF CHC. COPIES ARE ISSUED IN STRICT CONFIDENCE AND ARE NOT TO BE REPRODUCED OR USED AS THE BASIS FOR MANUFACTURING OR SALE OF PRODUCT WITHOUT PRIOR WRITTEN PERMISSION OF CHC.

**UL LISTED**  
PACKAGED PUMPING SYSTEMS & HEAT TRANSFER SYSTEMS

APPROXIMATE SHIPPING WEIGHT: 1,243 LBS.  
APPROXIMATE OPERATING WEIGHT: 1,332 LBS.

GENERAL NOTES:  
(1) SINGLE POINT POWER CONNECTION AT CONTROL PANEL.  
(2) HYDRO PRESSURE CHECK AT 125 PSI.  
(3) ASSEMBLED SYSTEM TO BE PAINTED WITH INDUSTRIAL MACHINE ENAMEL PRIOR TO SHIPMENT.

= DENOTES CONTRACTOR POINT OF CONNECTION

DRAWING No. FEV3-6  
REV A