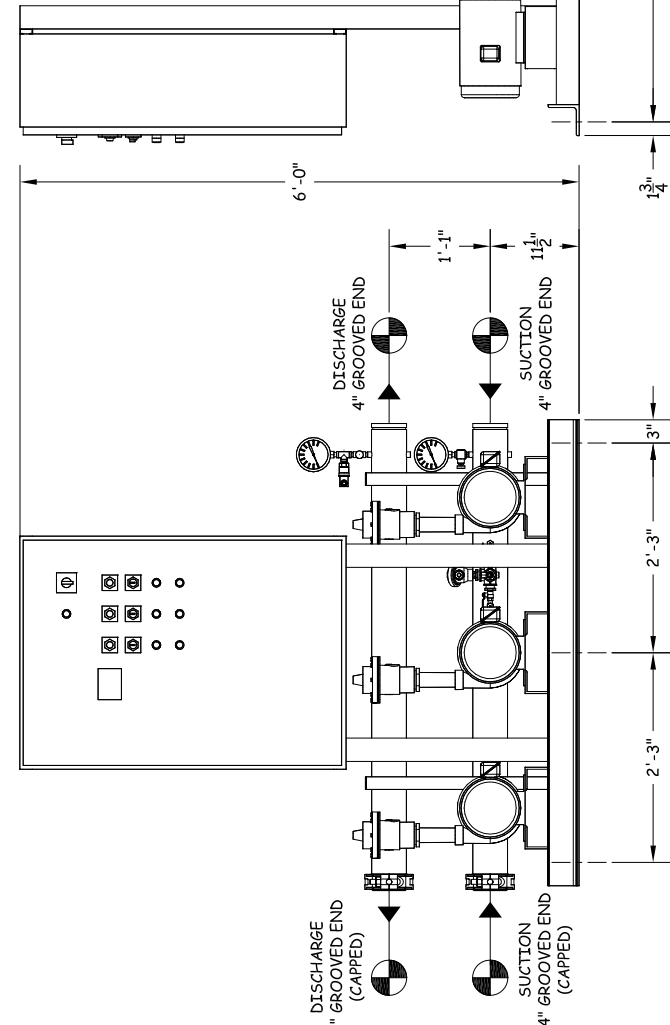
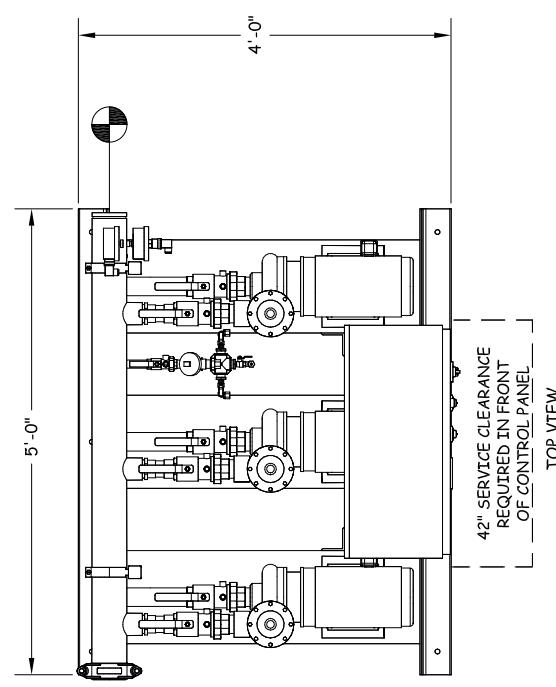
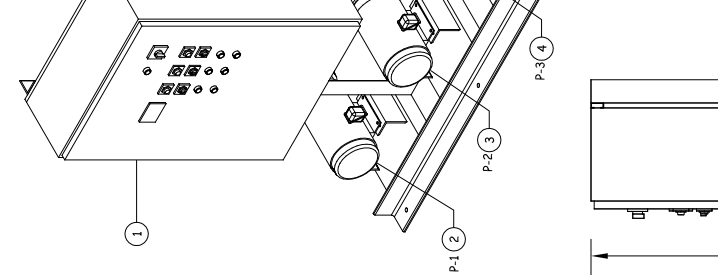
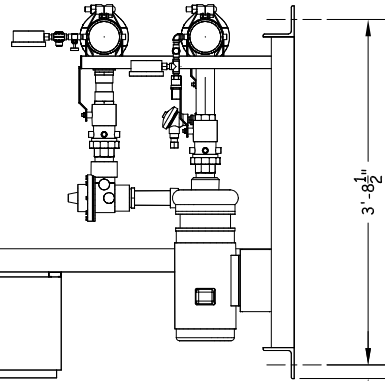


RELIEF VALVES AND ANCHORAGE EQUIPMENT DRAINS TO BE IN COMPLIANCE WITH LOCAL CODES AND ANY SEISMIC REQUIREMENTS.

ALL BOLTING AND ANCHORAGE TO BE IN COMPLIANCE WITH LOCAL CODES AND ANY SEISMIC REQUIREMENTS.



FRONT VIEW



RIGHT END VIEW

Ø5/8" BOLT HOLES, 6 PLCS

- GPM		- PSI		- PSI						
TOTAL FLOW		TOTAL DISCHARGE PRESSURE		AVAILABLE PRESSURE						
TOTAL SYSTEM CAPACITY										
3	P-3	600LBS	11/2 X 2-6	-	5	3500	460 / 60 / 3	TEFC/P.E.		
2	P-2	600LBS	11/2 X 2-6	-	5	3500	460 / 60 / 3	TEFC/P.E.		
1	P-1	600LBS	11/2 X 2-6	-	5	3500	460 / 60 / 3	TEFC/P.E.		
ITEM	TAG	MANUFACTURER	SERIES	MODEL	GPM	TDH	HP	RPM	VOLTS/HZ/PH	ENCLOSURE

- GPM		- PSI		- PSI						
TOTAL FLOW		TOTAL DISCHARGE PRESSURE		AVAILABLE PRESSURE						
TOTAL SYSTEM CAPACITY										
3	P-3	600LBS	11/2 X 2-6	-	5	3500	460 / 60 / 3	TEFC/P.E.		
2	P-2	600LBS	11/2 X 2-6	-	5	3500	460 / 60 / 3	TEFC/P.E.		
1	P-1	600LBS	11/2 X 2-6	-	5	3500	460 / 60 / 3	TEFC/P.E.		
ITEM	TAG	MANUFACTURER	SERIES	MODEL	GPM	TDH	HP	RPM	VOLTS/HZ/PH	ENCLOSURE

PUMP SCHEDULE

PROJECT NAME:										
CUSTOMER:										
DRAWN BY	DATE	CHECKED BY	APPROVED BY	TOLERANCES UNLESS OTHERWISE SPECIFIED						
ACD	12/29/14			DEC.	FRACTION	ANGLE	SIZE	SCALE	1" = 1'-0"	
				.500"	1/2"	5°	C			



FEV3-7 VARIABLE SPEED TRIPLEX PRESSURE BOOSTER
DRAWING No. FEV3-7
REV A

UL LISTED
PACKAGED PUMPING SYSTEMS
& HEAT TRANSFER SYSTEMS

APPROXIMATE SHIPPING WEIGHT: 1,309 LBS
APPROXIMATE OPERATING WEIGHT: 1,365 LBS

GENERAL NOTES:
(1) SINGLE POINT POWER CONNECTION AT CONTROL PANEL.
(2) HYDRO PRESSURE CHECK AT 125 PSI.
(3) ASSEMBLED SYSTEM TO BE PAINTED WITH INDUSTRIAL MACHINE ENAMEL PRIOR TO SHIPMENT.
= DENOTES CONTRACTOR POINT OF CONNECTION