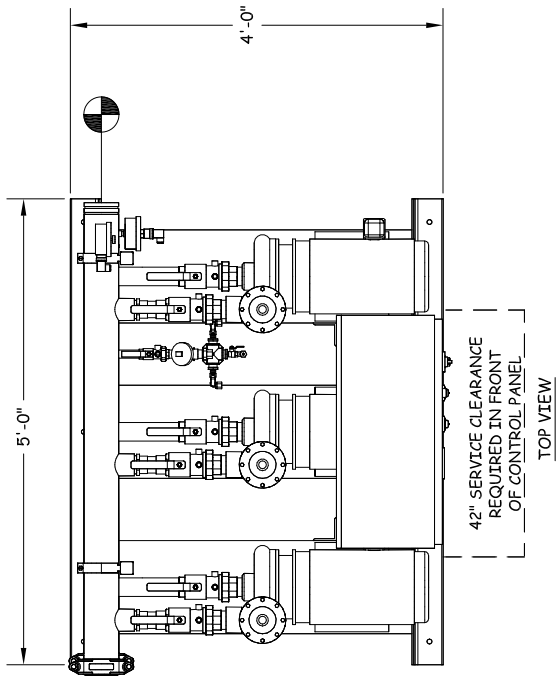
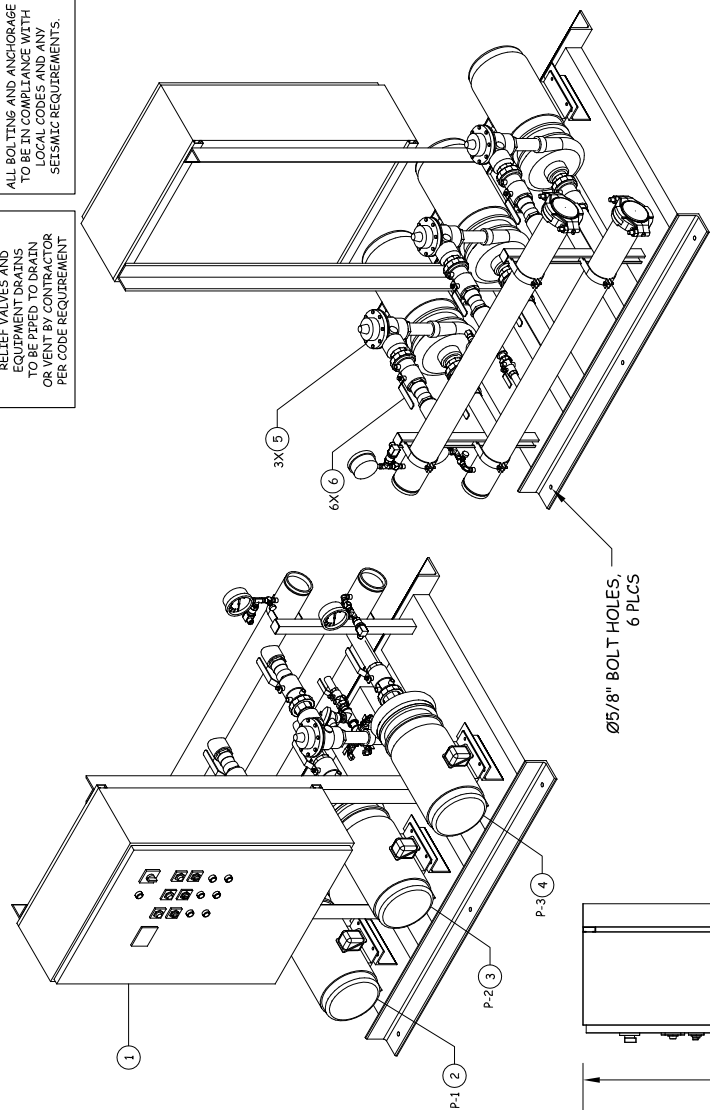
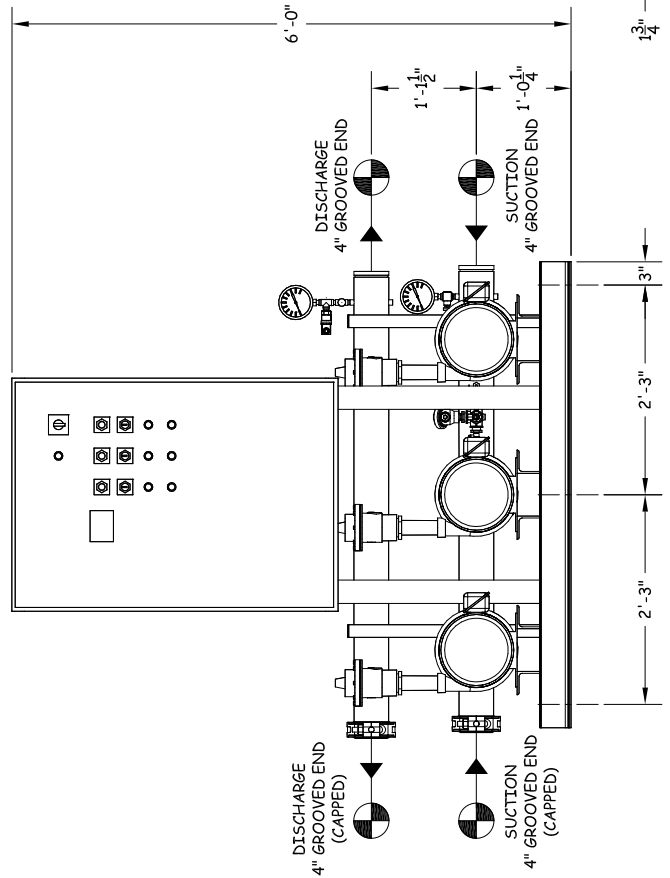
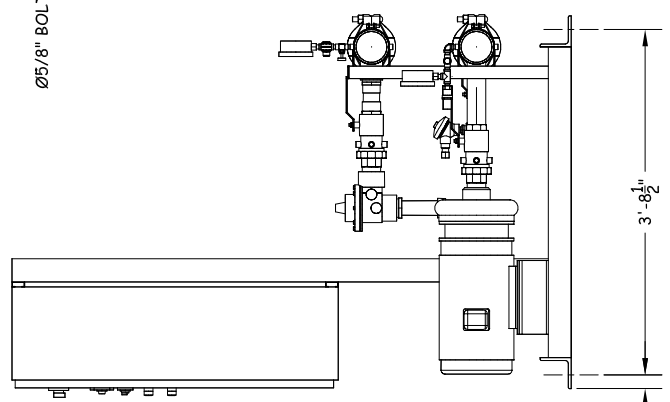


RELIEF VALVES AND ANCHORAGE EQUIPMENT DRAINS TO BE FIRED TO DRAIN OR TO ANCHORAGE PER CODE REQUIREMENT.

ALL BOLTING AND ANCHORAGE TO BE IN COMPLIANCE WITH LOCAL CODES AND ANY SEISMIC REQUIREMENTS.



- GPM		- PSI		- PSI	
TOTAL FLOW		TOTAL DISCHARGE PRESSURE		AVAILABLE PRESSURE	
TOTAL SYSTEM CAPACITY					
3	P-3	600LBS	1 1/2 X 2-8	-	7 1/2
2	P-2	600LBS	1 1/2 X 2-8	-	7 1/2
1	P-1	600LBS	1 1/2 X 2-8	-	7 1/2
ITEM	TAG	MANUFACTURER	SERIES	MODEL	HP
					RPM
					VOLTS/HZ/PH
					ENCLOSURE



RIGHT END VIEW

FRONT VIEW

**FLOWTHERM** systems  
HAYWARD, CALIFORNIA

PROJECT NAME:  
CUSTOMER:  
DRAWN BY DATE: 12/24/14  
CHECKED BY: APPROVED BY:  
TOLERANCES UNLESS OTHERWISE SPECIFIED:  
DEC. .500" FRACTION 1/2" ANGLE 5° SCALE 1" = 1'-0"

THIS DRAWING AND THE INFORMATION DETECTED THEREIN IS THE PROPERTY OF FLOWTHERM SYSTEMS, A DIVISION OF CHC. COPIES ARE ISSUED IN STRICT CONFIDENCE AND ARE NOT TO BE REPRODUCED, COPIED, OR USED AS THE BASIS FOR MANUFACTURING OR SALE OF PRODUCT WITHOUT PRIOR WRITTEN PERMISSION OF CHC.

**UL LISTED**  
PACKAGED PUMPING SYSTEMS & HEAT TRANSFER SYSTEMS

APPROXIMATE SHIPPING WEIGHT: 1,463 LBS.  
APPROXIMATE OPERATING WEIGHT: 1,552 LBS.

GENERAL NOTES:  
(1) SINGLE POINT POWER CONNECTION AT CONTROL PANEL.  
(2) HYDRO PRESSURE CHECK AT 125 PSI.  
(3) ASSEMBLED SYSTEM TO BE PAINTED WITH INDUSTRIAL MACHINE ENAMEL PRIOR TO SHIPMENT.

= DENOTES CONTRACTOR POINT OF CONNECTION

