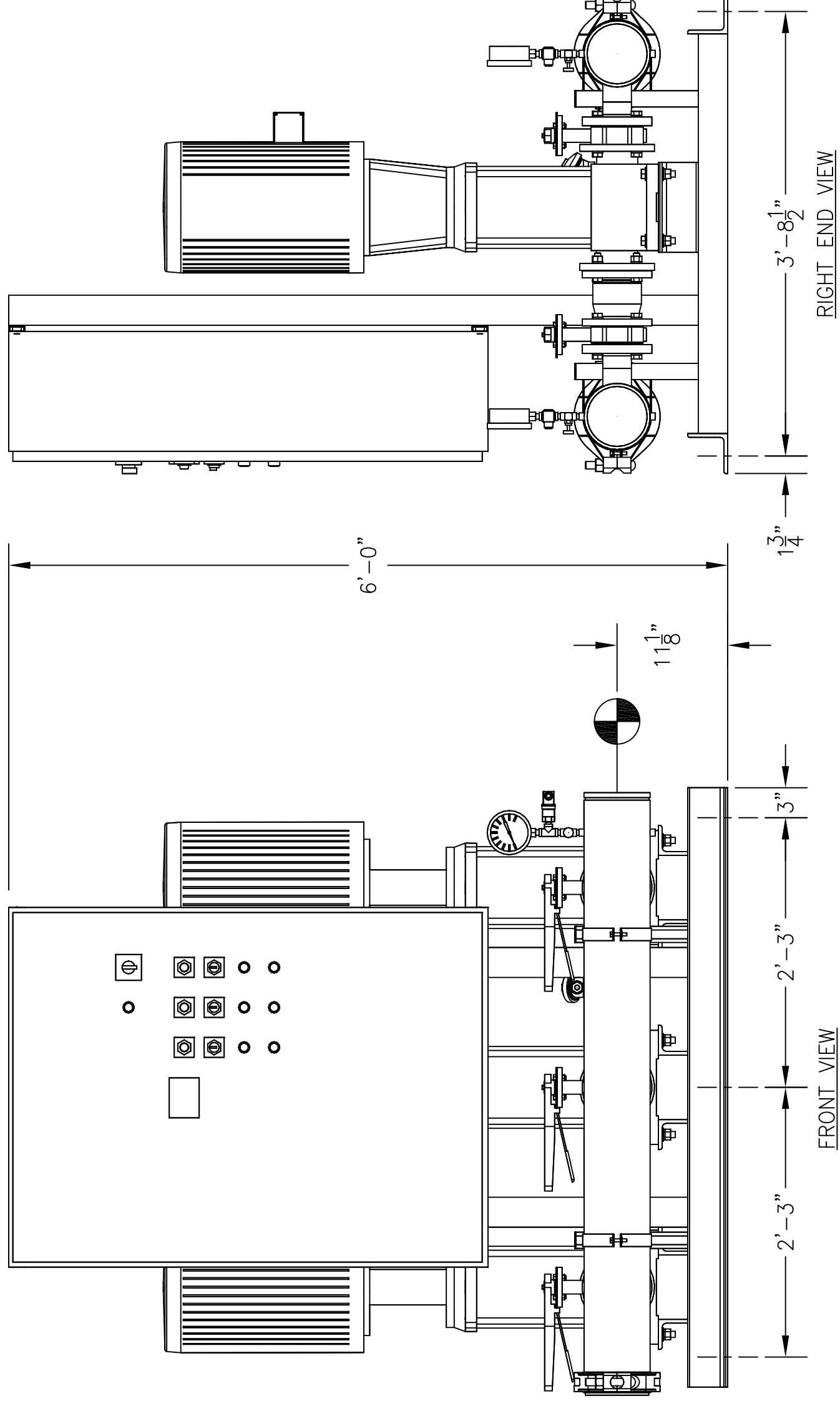
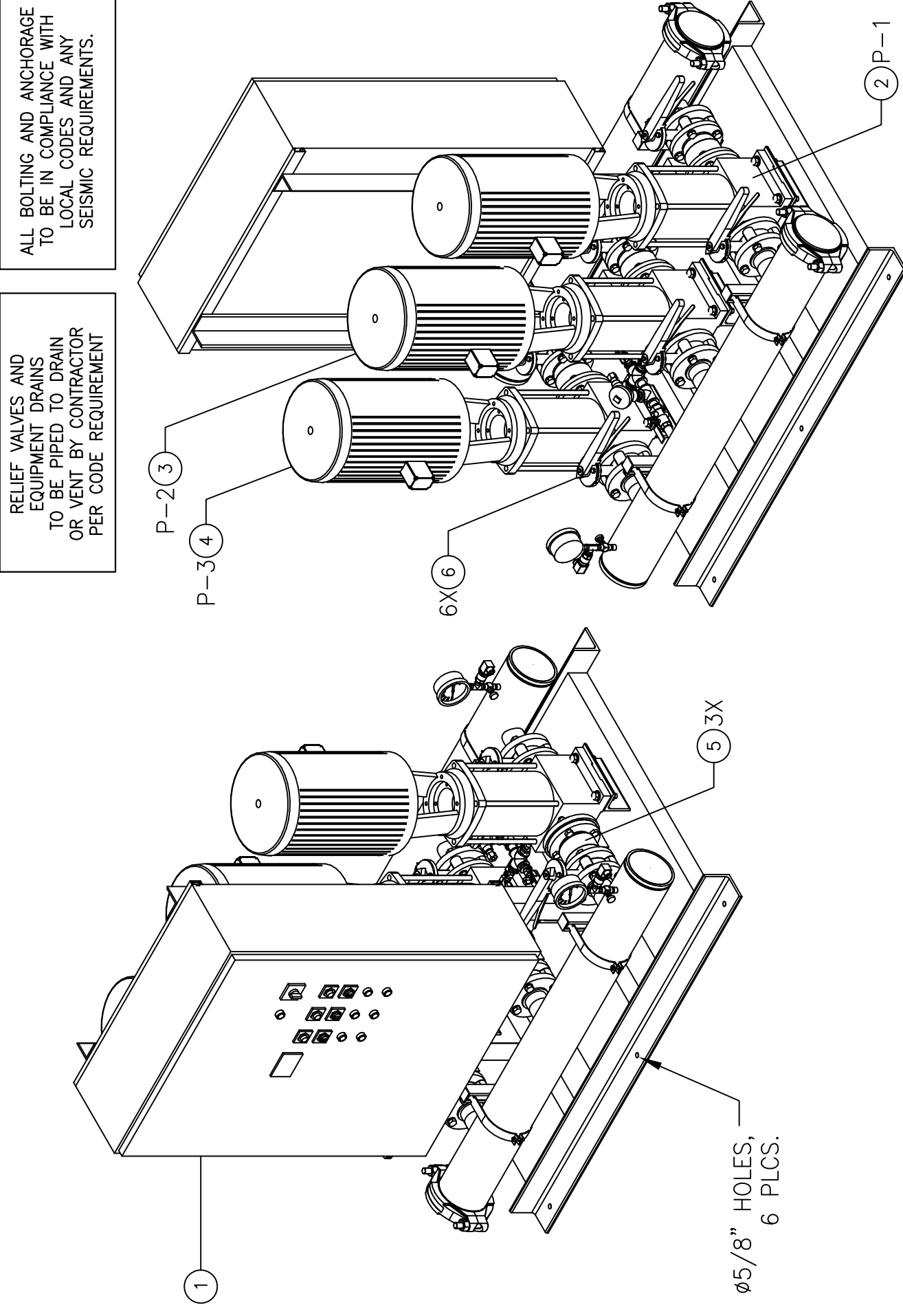


TOP VIEW



FRONT VIEW

RIGHT END VIEW



Ø5/8" HOLES, 6 PLCS.

CONSTRUCTION NOTES:

1. SUCTION AND DISCHARGE HEADERS ARE GROOVED ON BOTH ENDS.
2. END CAPS CAN BE PLACED ON EITHER END OF HEADERS.
3. SYSTEM DESIGNED FOR INDOOR INSTALLATION.

- GPM		- PSI		- PSI				
TOTAL FLOW		TOTAL DISCHARGE PRESSURE		AVAILABLE PRESSURE				
TOTAL SYSTEM CAPACITY								
4	P-3	GOULDS	ESV	33SVG-4	-	20	3500	-
3	P-2	GOULDS	ESV	33SVG-4	-	20	3500	-
2	P-1	GOULDS	ESV	33SVG-4	-	20	3500	-

ITEM	TAG	MANUFACTURER	SERIES	MODEL	GPM	TDH	HP	RPM	VOLTS/HZ/PH	ENCLOSURE
10	-	-	-	-	-	-	-	-	-	-
9	-	-	-	-	-	-	-	-	-	-
8	-	-	-	-	-	-	-	-	-	-
7	-	-	-	-	-	-	-	-	-	-
6	6	-	-	-	-	-	-	-	-	-
5	3	-	-	-	-	-	-	-	-	-
4	1	P-3	GOULDS	ESV MULTI-STAGE PUMP MODEL 33SVG-4	-	-	-	-	-	-
3	1	P-2	GOULDS	ESV MULTI-STAGE PUMP MODEL 33SVG-4	-	-	-	-	-	-
2	1	P-1	GOULDS	ESV MULTI-STAGE PUMP MODEL 33SVG-4	-	-	-	-	-	-
1	1	-	-	VARIABLE SPEED PUMP CONTROL PANEL	-	-	-	-	-	-

PUMP SCHEDULE

ITEM	QTY	TAG	DESCRIPTION
10	-	-	-
9	-	-	-
8	-	-	-
7	-	-	-
6	6	-	LUG TYPE BUTTERFLY VALVE - 2-1/2"
5	3	-	VAL-MATIC GLOBE CHECK VALVE MODEL 1825 - 2-1/2"
4	1	P-3	GOULDS ESV MULTI-STAGE PUMP MODEL 33SVG-4
3	1	P-2	GOULDS ESV MULTI-STAGE PUMP MODEL 33SVG-4
2	1	P-1	GOULDS ESV MULTI-STAGE PUMP MODEL 33SVG-4
1	1	-	VARIABLE SPEED PUMP CONTROL PANEL

EQUIPMENT SCHEDULE

LISTED
PACKAGED PUMPING SYSTEMS
& HEAT TRANSFER SYSTEMS

UL

APPROXIMATE SHIPPING WEIGHT: 2,461 LBS.
APPROXIMATE OPERATING WEIGHT: 2,641 LBS.

GENERAL NOTES:
 (1) SINGLE POINT POWER CONNECTION AT CONTROL PANEL.
 (2) HYDRO PRESSURE CHECK AT 125 PSI.
 (3) ASSEMBLED SYSTEM TO BE PAINTED WITH INDUSTRIAL MACHINE ENAMEL PRIOR TO SHIPMENT.

PROJECT NAME: -
 CUSTOMER: -
 DRAWN BY DATE: -
 AC'D 02/11/14
 CHECKED BY APPROVED BY: -
 TOLERANCES UNLESS OTHERWISE SPECIFIED

DEC: .500"
 FRAC: 1/2"
 ANGLE: 5'
 SIZE: C
 SCALE: 1" = 1'

DRAWING TITLE: VARIABLE SPEED TRIPLEX PRESSURE BOOSTER
 HAYWARD, CALIFORNIA

FAB No. -
 DRAWING No. FMV3-12
 REV 1

FlowTherm systems
HAYWARD, CALIFORNIA