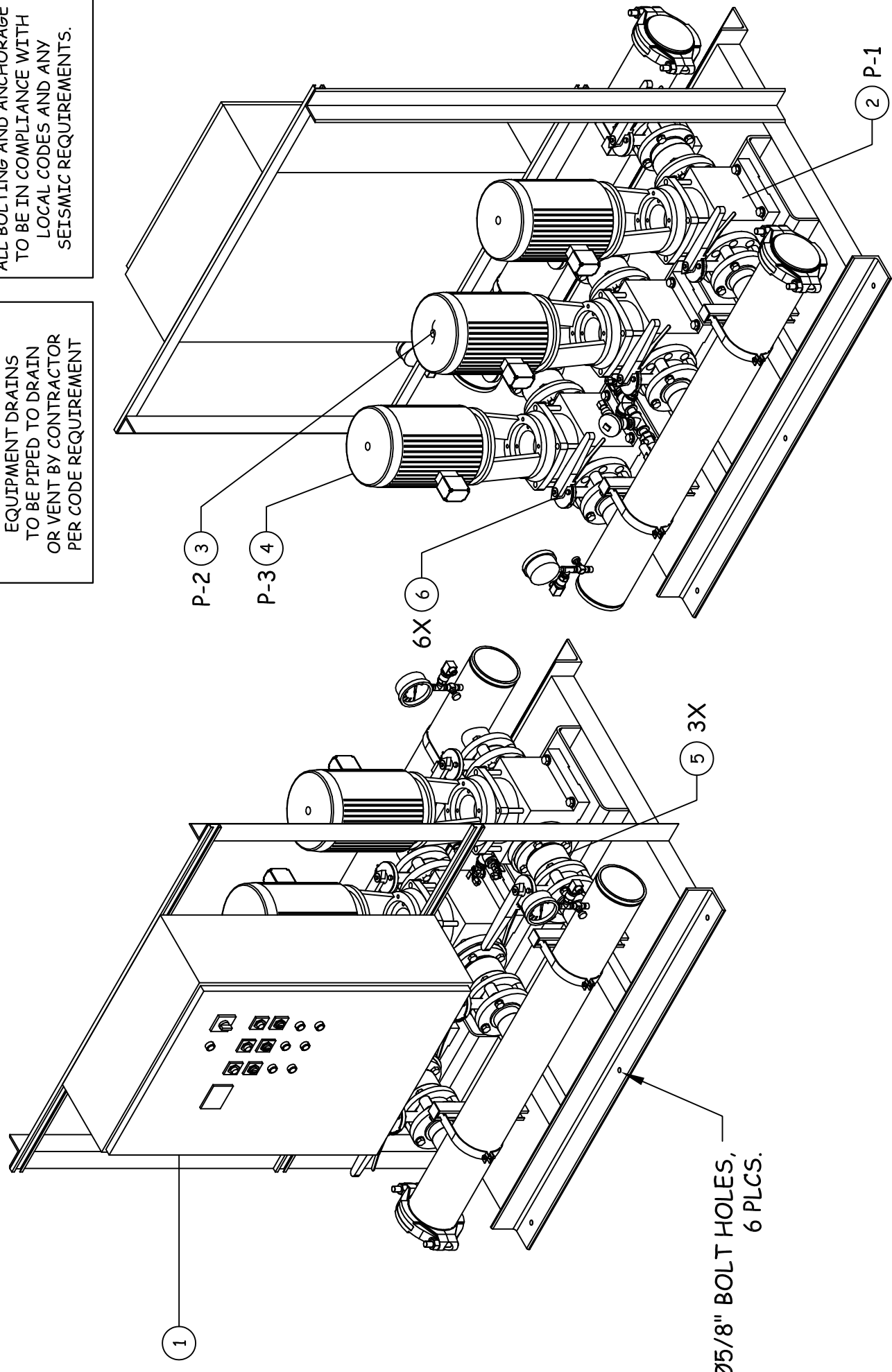
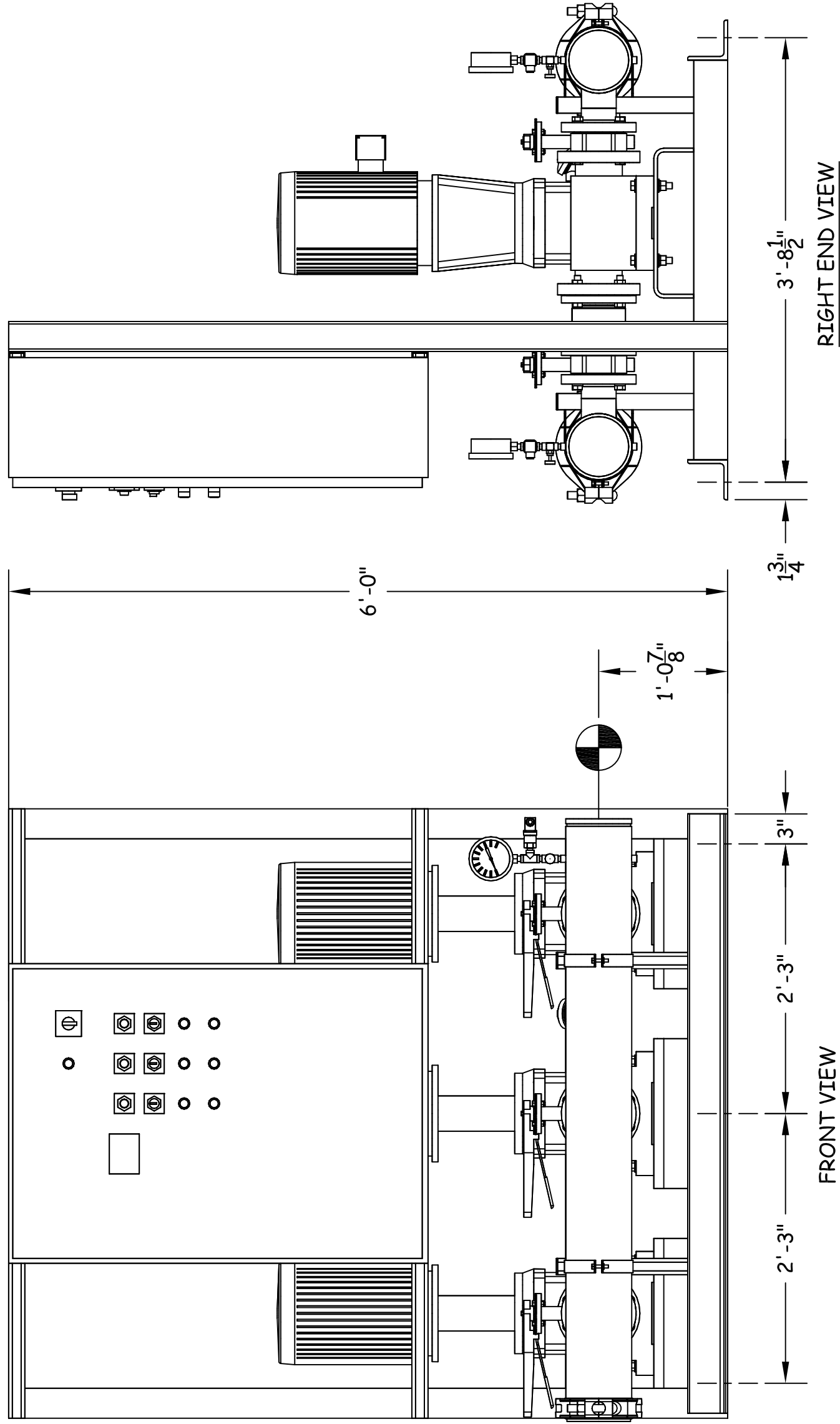


TOP VIEW



Ø5/8" BOLT HOLES, 6 PLCS.



FRONT VIEW

RIGHT END VIEW

CONSTRUCTION NOTES:

1. SUCTION AND DISCHARGE HEADERS ARE GROOVED ON BOTH ENDS.
2. (2) END CAPS WILL BE PROVIDED FOR FIELD INSTALLATION BY OTHERS.
3. END CAPS CAN BE PLACED ON EITHER END OF HEADERS.
4. SYSTEM DESIGNED FOR INDOOR INSTALLATION.

- GPM		- PSI		- PSI						
TOTAL FLOW		TOTAL DISCHARGE PRESSURE		AVAILABLE PRESSURE						
TOTAL SYSTEM CAPACITY										
3	P-3	GOULDS	ESV	46SV6-1/1	-	7-1/2	3500	-		
2	P-2	GOULDS	ESV	46SV6-1/1	-	7-1/2	3500	-		
1	P-1	GOULDS	ESV	46SV6-1/1	-	7-1/2	3500	-		
ITEM	TAG	MANUFACTURER	SERIES	MODEL	GPM	TDH	HP	RPM	VOLTS/HZ/PH	ENCLOSURE

PUMP SCHEDULE

ITEM	QTY	TAG	DESCRIPTION
10	-	-	-
9	-	-	-
8	-	-	-
7	-	-	-
6	6	-	LUG TYPE BUTTERFLY VALVE - 3"
5	3	-	VAL-MATIC GLOBE CHECK VALVE - 3"
4	1	P-3	GOULDS ESV MULTISTAGE PUMP MODEL 46SV6-1/1
3	1	P-2	GOULDS ESV MULTISTAGE PUMP MODEL 46SV6-1/1
2	1	P-1	GOULDS ESV MULTISTAGE PUMP MODEL 46SV6-1/1
1	1	-	VARIABLE SPEED PUMP CONTROL PANEL

EQUIPMENT SCHEDULE

GENERAL NOTES:
 (1) SINGLE POINT POWER CONNECTION AT CONTROL PANEL.
 (2) HYDRO PRESSURE CHECK AT 125 PSI.
 (3) ASSEMBLED SYSTEM TO BE PAINTED WITH INDUSTRIAL MACHINE ENAMEL PRIOR TO SHIPMENT.

UL
 LISTED
 PACKAGED PUMPING SYSTEMS
 & HEAT TRANSFER SYSTEMS

APPROXIMATE SHIPPING WEIGHT: 2,065 LBS.
 APPROXIMATE OPERATING WEIGHT: 2,233 LBS.

PROJECT NAME:
 CUSTOMER:
 DRAWN BY DATE: 02/11/14
 CHECKED BY: APPROVED BY:
 TOLERANCES UNLESS OTHERWISE SPECIFIED
 DEC. .500" FRAC. 1/2" ANGLE 5° SCALE 1" = 1'

FlowTherm systems
 HAYWARD, CALIFORNIA

DRAWING TITLE:
 FMV3-13LH VARIABLE SPEED TRIPLEX PRESSURE BOOSTER

FAB No. DRAWING No. REV
 - FMV3-13LH 1