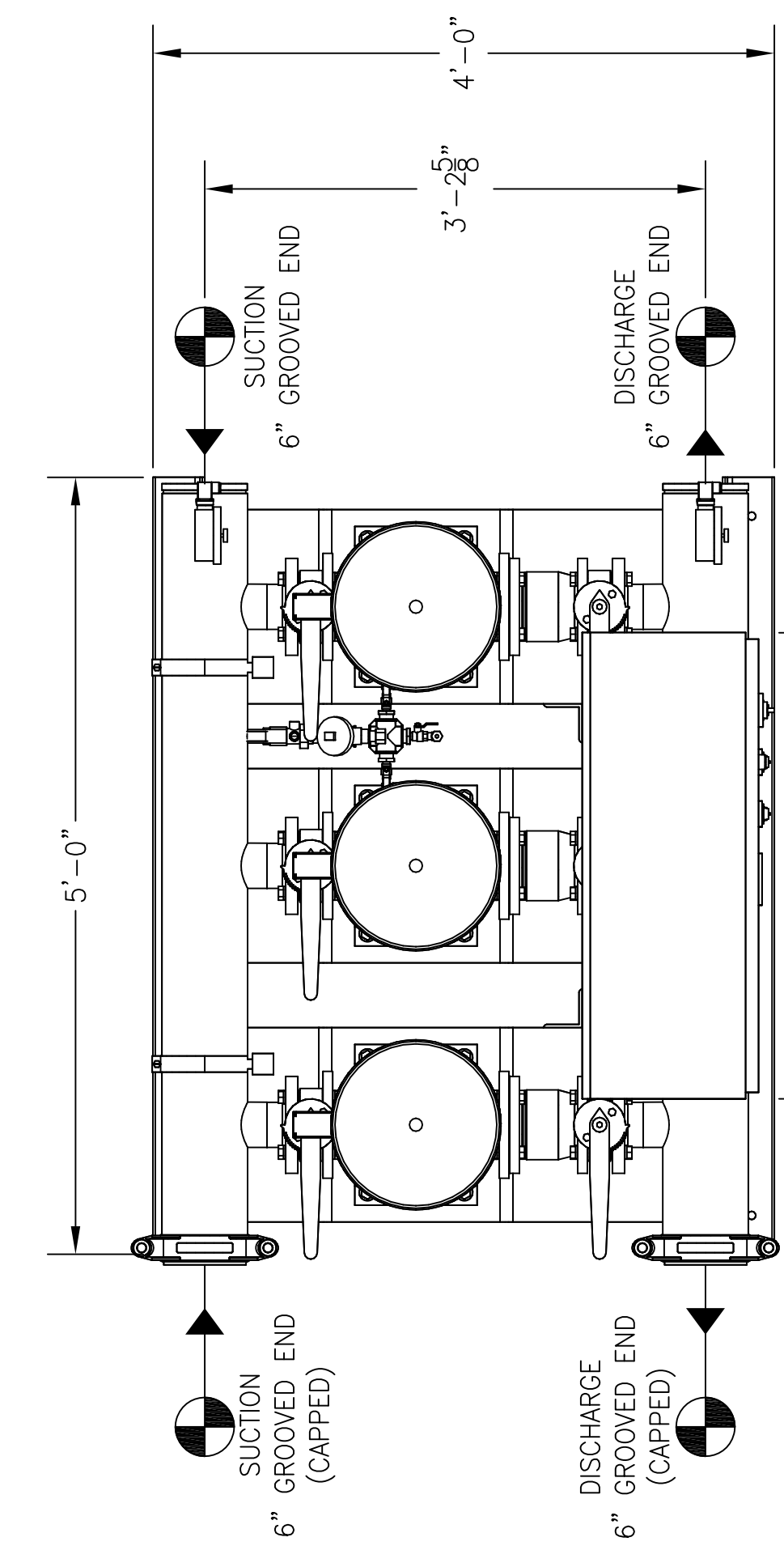
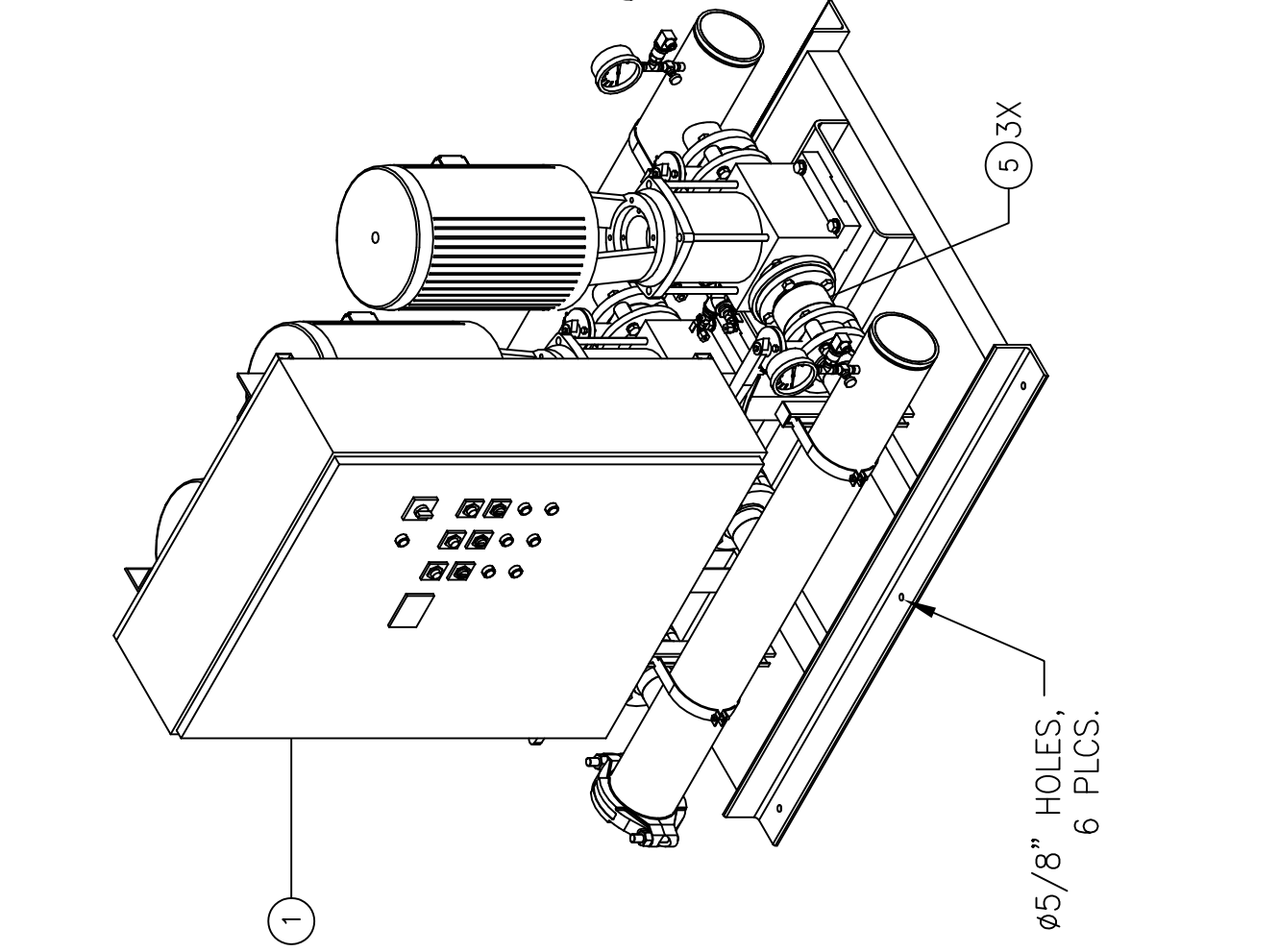
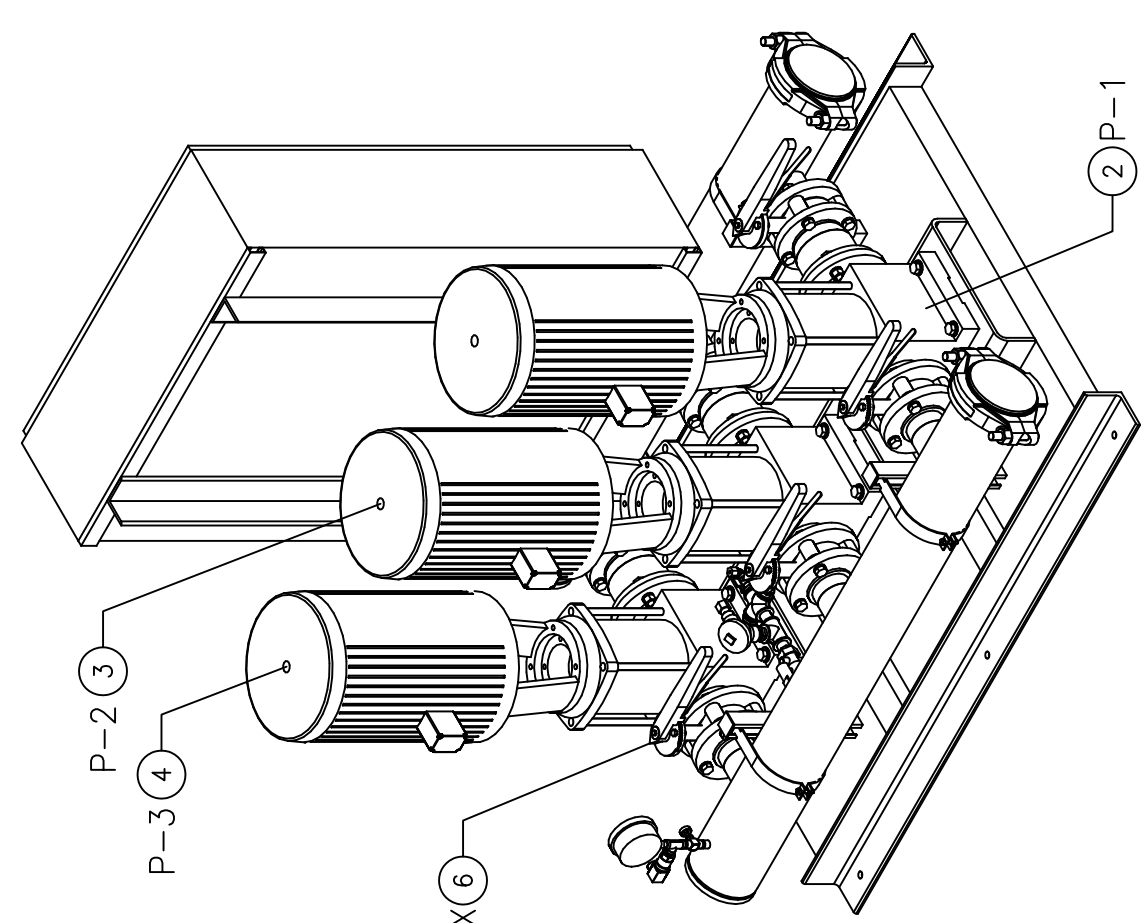
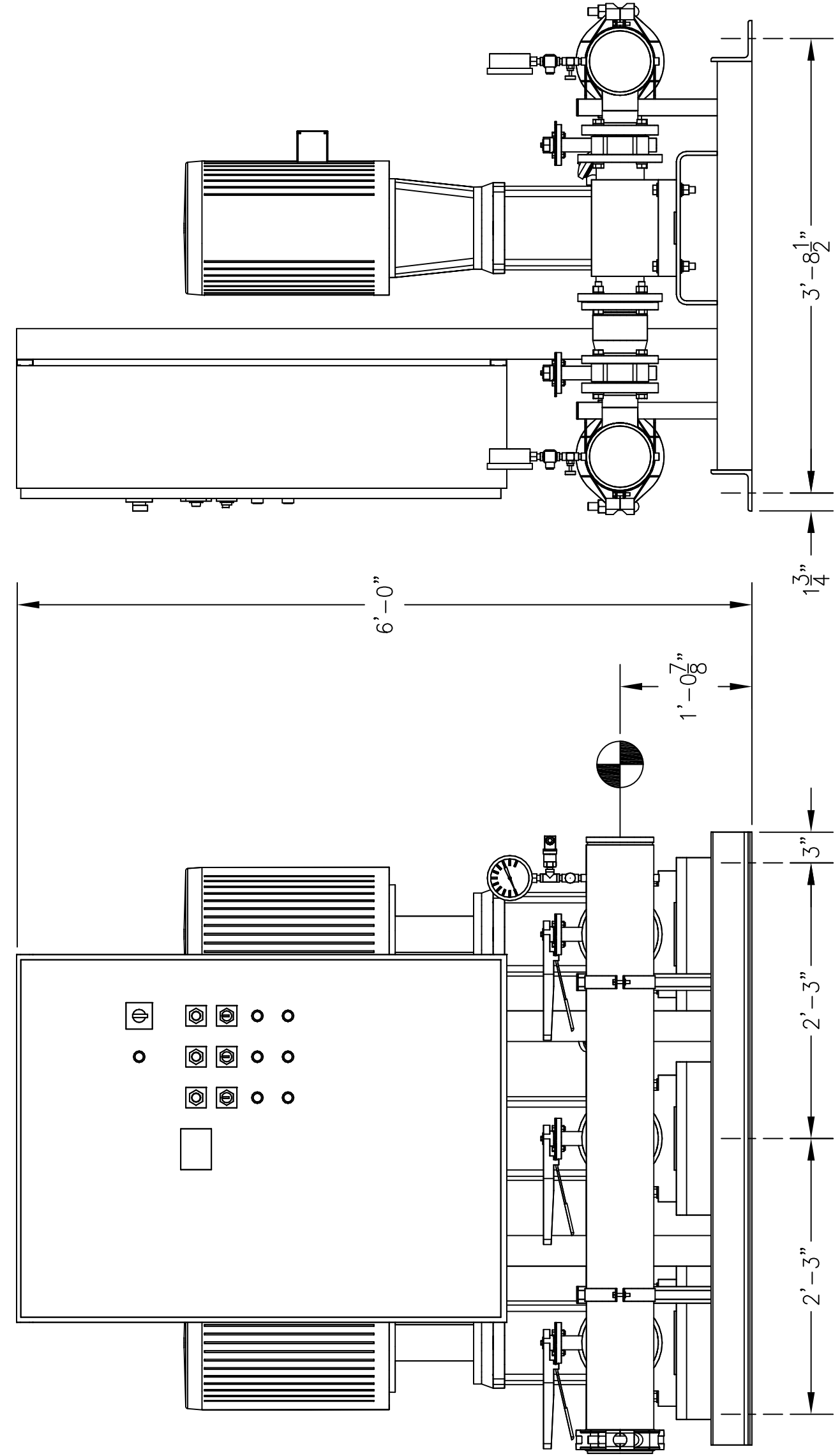


RELIEF VALVES AND EQUIPMENT DRAINS TO BE PIPIED TO DRAIN OR VENT BY CONTRACTOR PER CODE REQUIREMENT.



42" SERVICE CLEARANCE REQUIRED IN FRONT OF CONTROL PANEL

TOP VIEW



FRONT VIEW

RIGHT END VIEW

- CONSTRUCTION NOTES:
- SUCTION AND DISCHARGE HEADERS ARE GROOVED ON BOTH ENDS.
 - END CAPS CAN BE PLACED ON EITHER END OF HEADERS.
 - SYSTEM DESIGNED FOR INDOOR INSTALLATION.

- GPM		- PSI		- PSI				
TOTAL FLOW		TOTAL DISCHARGE PRESSURE		AVAILABLE PRESSURE				
TOTAL SYSTEM CAPACITY								
4	P-3	GOULDS	ESV	46SVG-3/2	-	20	3500	-
3	P-2	GOULDS	ESV	46SVG-3/2	-	20	3500	-
2	P-1	GOULDS	ESV	46SVG-3/2	-	20	3500	-

ITEM	TAG	MANUFACTURER	SERIES	MODEL	GPM	TDH	HP	RPM	VOLTS/HZ/PH	ENCLOSURE
PUMP SCHEDULE										
10	-	-	-	-	-	-	-	-	-	-
9	-	-	-	-	-	-	-	-	-	-
8	-	-	-	-	-	-	-	-	-	-
7	-	-	-	-	-	-	-	-	-	-
6	6	-	-	LUG TYPE BUTTERFLY VALVE	-	3"	-	-	-	-
5	3	-	-	VAL-MATIC GLOBE CHECK VALVE	-	3"	-	-	-	-
4	1	P-3	-	GOULDS ESV MULTISTAGE PUMP MODEL	46SVG-3/2	-	-	-	-	-
3	1	P-2	-	GOULDS ESV MULTISTAGE PUMP MODEL	46SVG-3/2	-	-	-	-	-
2	1	P-1	-	GOULDS ESV MULTISTAGE PUMP MODEL	46SVG-3/2	-	-	-	-	-
1	1	-	-	VARIABLE SPEED PUMP CONTROL PANEL	-	-	-	-	-	-

ITEM	QTY	TAG	DESCRIPTION
EQUIPMENT SCHEDULE			
10	-	-	-
9	-	-	-
8	-	-	-
7	-	-	-
6	6	-	LUG TYPE BUTTERFLY VALVE - 3"
5	3	-	VAL-MATIC GLOBE CHECK VALVE - 3"
4	1	P-3	GOULDS ESV MULTISTAGE PUMP MODEL 46SVG-3/2
3	1	P-2	GOULDS ESV MULTISTAGE PUMP MODEL 46SVG-3/2
2	1	P-1	GOULDS ESV MULTISTAGE PUMP MODEL 46SVG-3/2
1	1	-	VARIABLE SPEED PUMP CONTROL PANEL

GENERAL NOTES:

- SINGLE POINT POWER CONNECTION AT CONTROL PANEL.
- HYDRO PRESSURE CHECK AT 125 PSI.
- ASSEMBLED SYSTEM TO BE PAINTED WITH INDUSTRIAL MACHINE ENAMEL PRIOR TO SHIPMENT.

UL LISTED PACKAGED PUMPING SYSTEMS & HEAT TRANSFER SYSTEMS

APPROXIMATE SHIPPING WEIGHT: 2,586 LBS.
APPROXIMATE OPERATING WEIGHT: 2,755 LBS.

PROJECT NAME: -
CUSTOMER: -
DRAWN BY DATE: -
ACD 02/11/14
CHECKED BY APPROVED BY: -
TOLERANCES UNLESS OTHERWISE SPECIFIED

DEC: .500" FRAC: 1/2" ANGLE: 5' SCALE: 1" = 1'

Flowtherm systems HAYWARD, CALIFORNIA

DRAWING TITLE: VARIABLE SPEED TRIPLEX PRESSURE BOOSTER

FAB No. - DRAWING No. - REV 1

FMV3-15