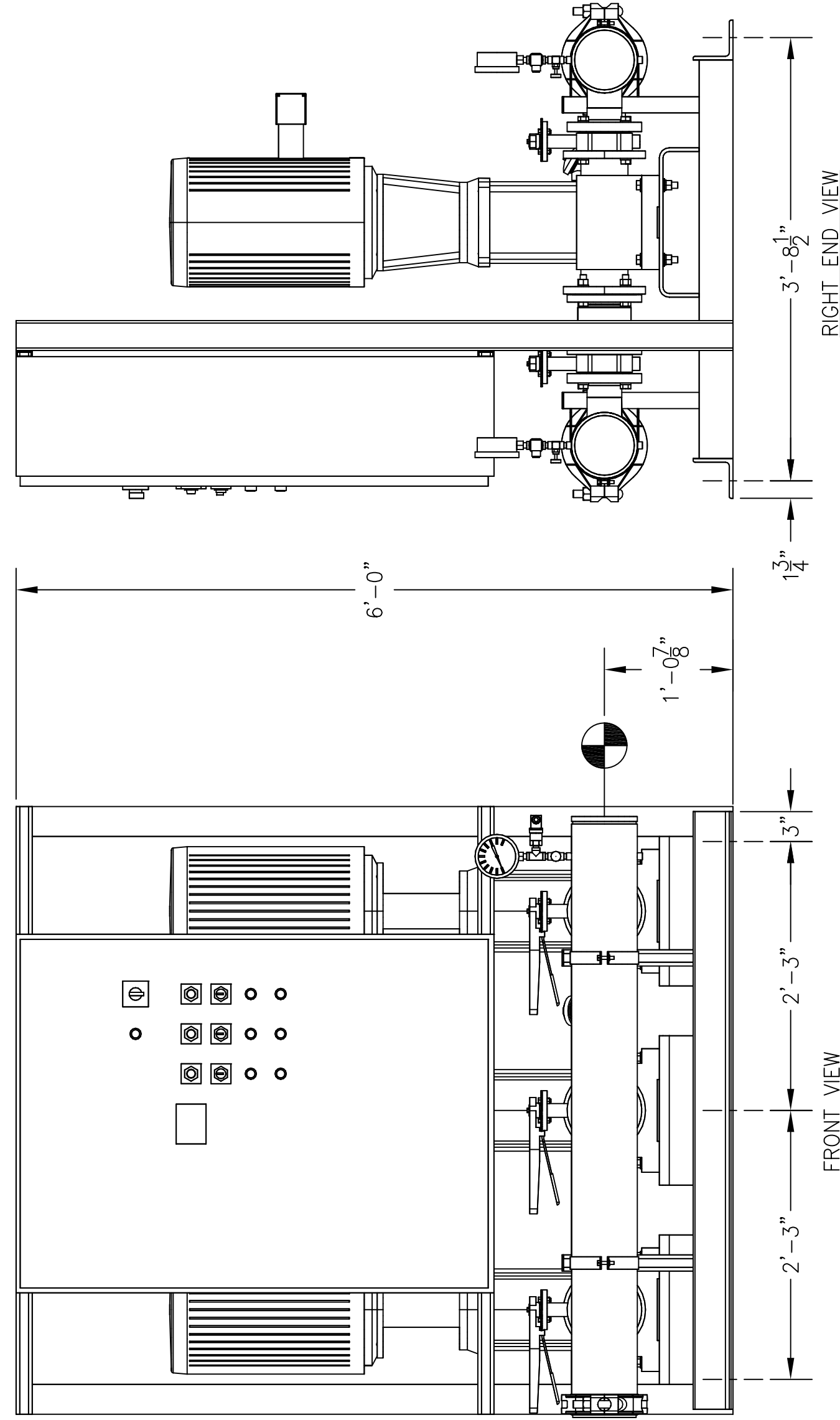
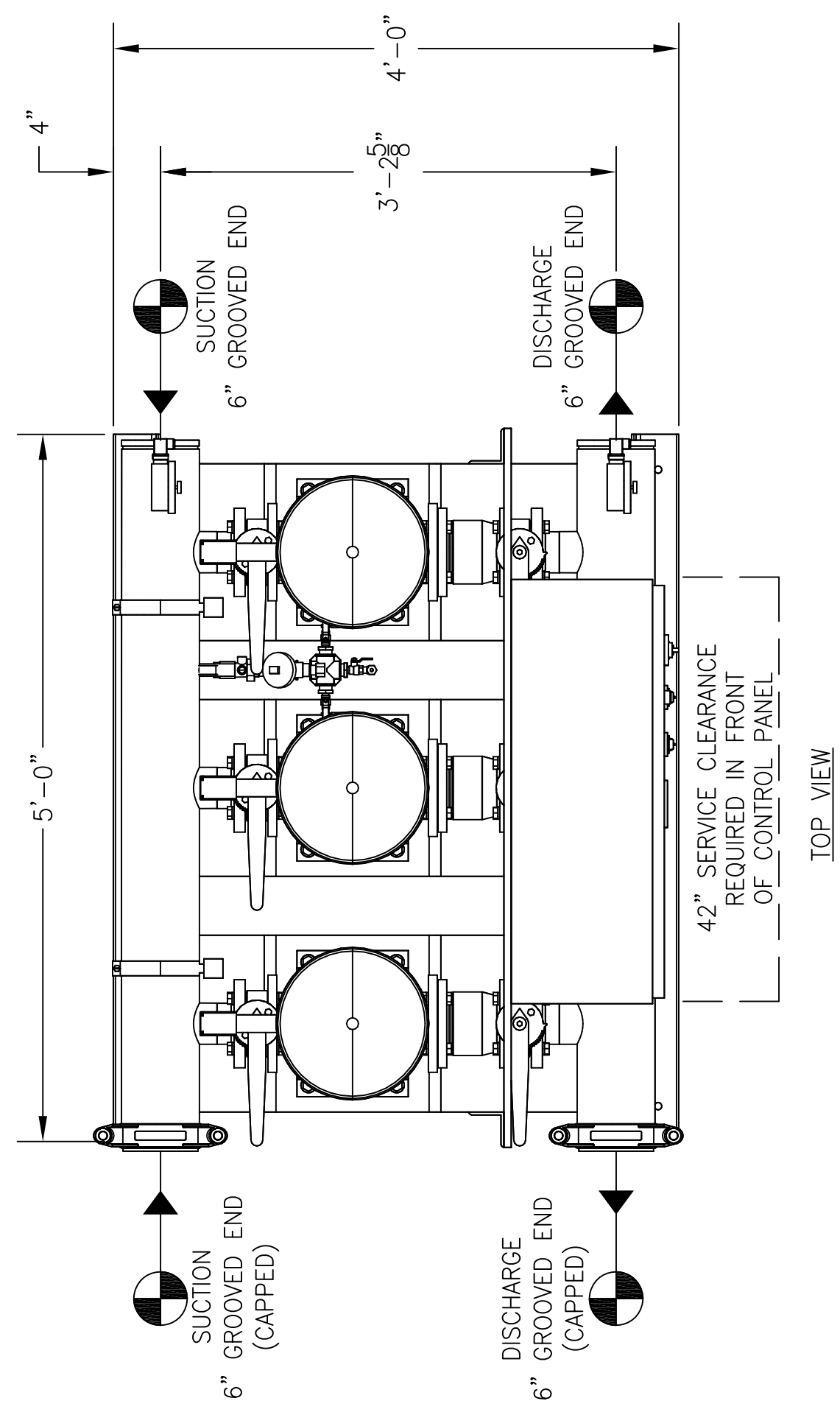
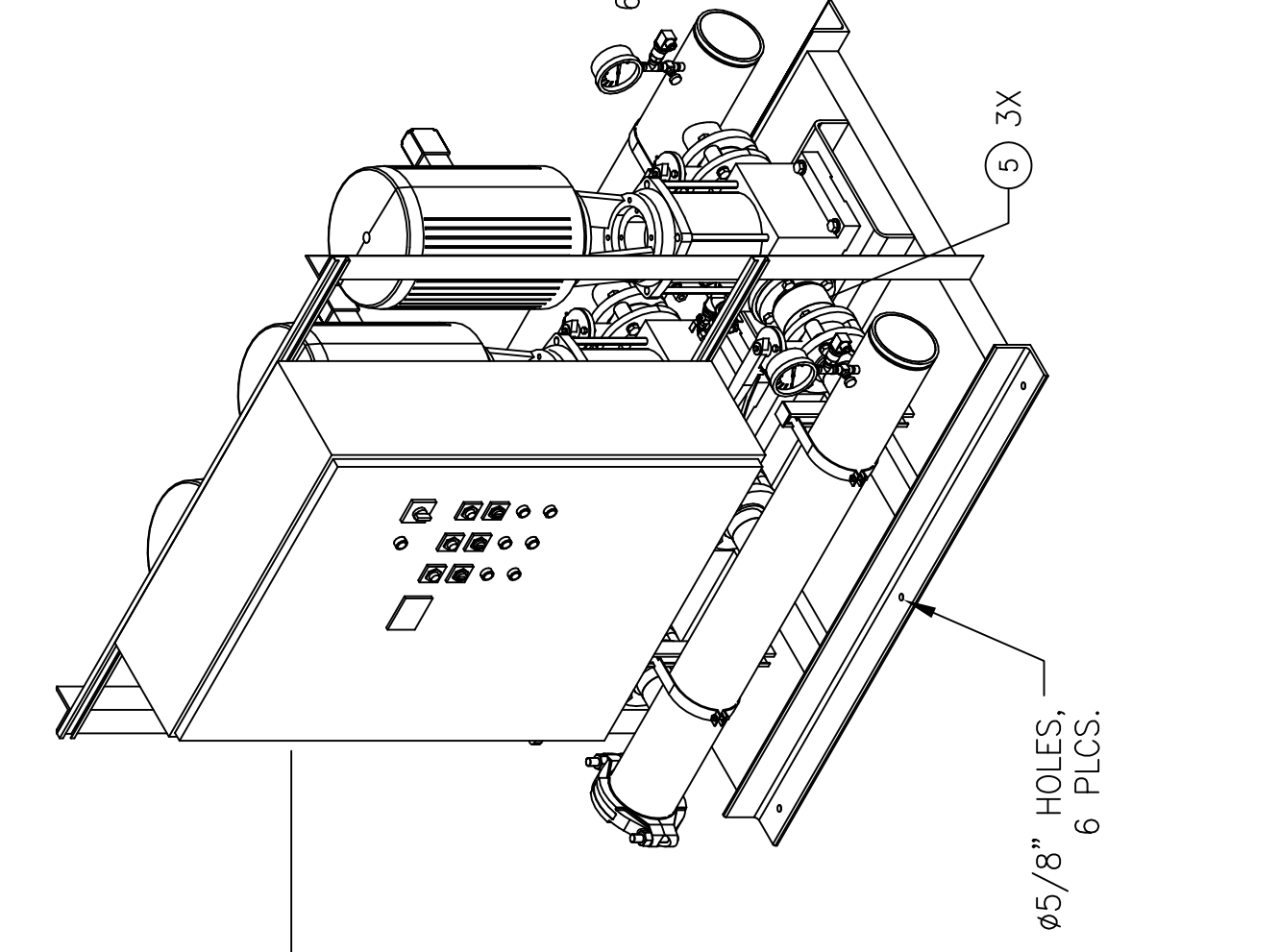
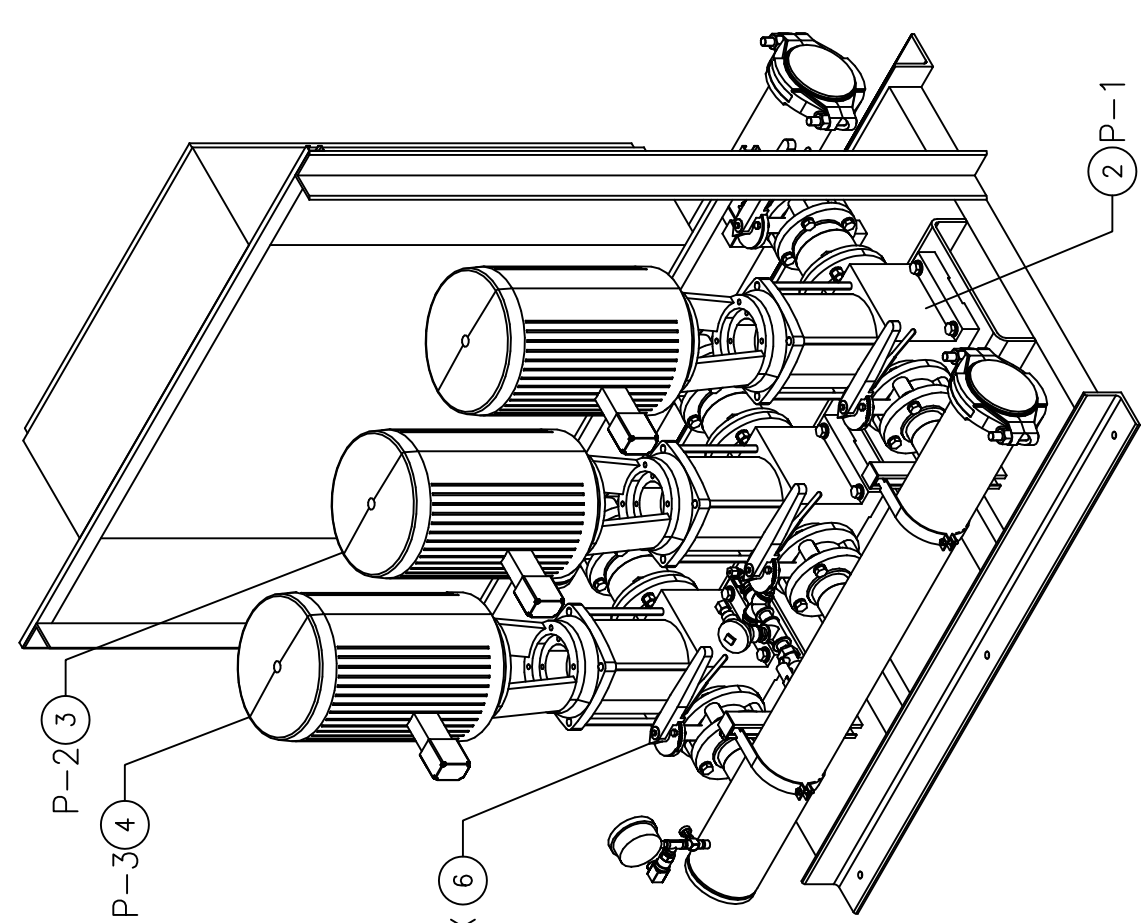


RELIEF VALVES AND EQUIPMENT DRAINS TO BE PIPED TO DRAIN OR VENT BY CONTRACTOR PER CODE REQUIREMENT.



CONSTRUCTION NOTES:
 1. SUCTION AND DISCHARGE HEADERS ARE GROOVED ON BOTH ENDS.
 2. END CAPS CAN BE PLACED ON EITHER END OF HEADERS.
 3. SYSTEM DESIGNED FOR INDOOR INSTALLATION.

- GPM		- PSI		- PSI	
TOTAL FLOW	TOTAL DISCHARGE PRESSURE	TOTAL SYSTEM CAPACITY	AVAILABLE PRESSURE		

ITEM	TAG	MANUFACTURER	SERIES	MODEL	GPM	TDH	HP	RPM	VOLTS/HZ/PH	ENCLOSURE
4	P-3	GOULDS	ESV	46SVG-3	-	-	25	3500	-	-
3	P-2	GOULDS	ESV	46SVG-3	-	-	25	3500	-	-
2	P-1	GOULDS	ESV	46SVG-3	-	-	25	3500	-	-

ITEM	QTY	TAG	DESCRIPTION
10	-	-	
9	-	-	
8	-	-	
7	-	-	
6	6	-	LUG TYPE BUTTERFLY VALVE - 3"
5	3	-	VAL-MATIC GLOBE CHECK VALVE - 3"
4	1	P-3	GOULDS ESV MULTISTAGE PUMP MODEL 46SVG-3
3	1	P-2	GOULDS ESV MULTISTAGE PUMP MODEL 46SVG-3
2	1	P-1	GOULDS ESV MULTISTAGE PUMP MODEL 46SVG-3
1	1	-	VARIABLE SPEED PUMP CONTROL PANEL

GENERAL NOTES:
 (1) SINGLE POINT POWER CONNECTION AT CONTROL PANEL.
 (2) HYDRO PRESSURE CHECK AT 125 PSI.
 (3) ASSEMBLED SYSTEM TO BE PAINTED WITH INDUSTRIAL MACHINE ENAMEL PRIOR TO SHIPMENT.

UL LISTED
 PACKAGED PUMPING SYSTEMS & HEAT TRANSFER SYSTEMS

APPROXIMATE SHIPPING WEIGHT: 2,626 LBS.
 APPROXIMATE OPERATING WEIGHT: 2,794 LBS.

FlowTherm systems
 HAYWARD, CALIFORNIA

EQUIPMENT SCHEDULE

PROJECT NAME:	CHECKED BY/DATE:	APPROVED BY/DATE:
-	02/11/14	-

DRAWING TITLE: VARIABLE SPEED TRIPLEX PRESSURE BOOSTER

SCALE: 1" = 1'

FRAC.: 1/2" **ANGLE:** 5' **SIZE:** C

FAB No.: - **DRAWING No.:** FW3-16 **REV:** 1