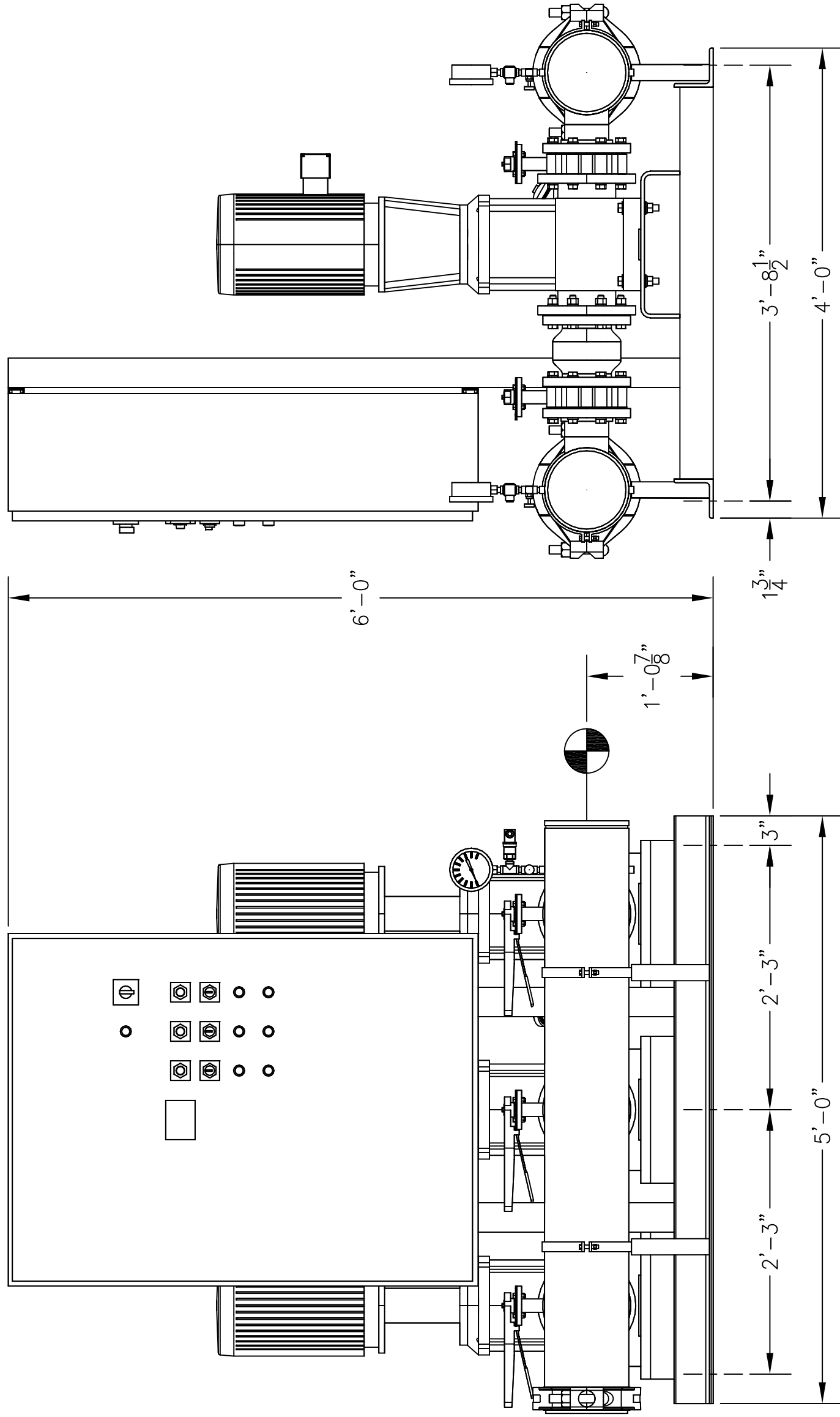
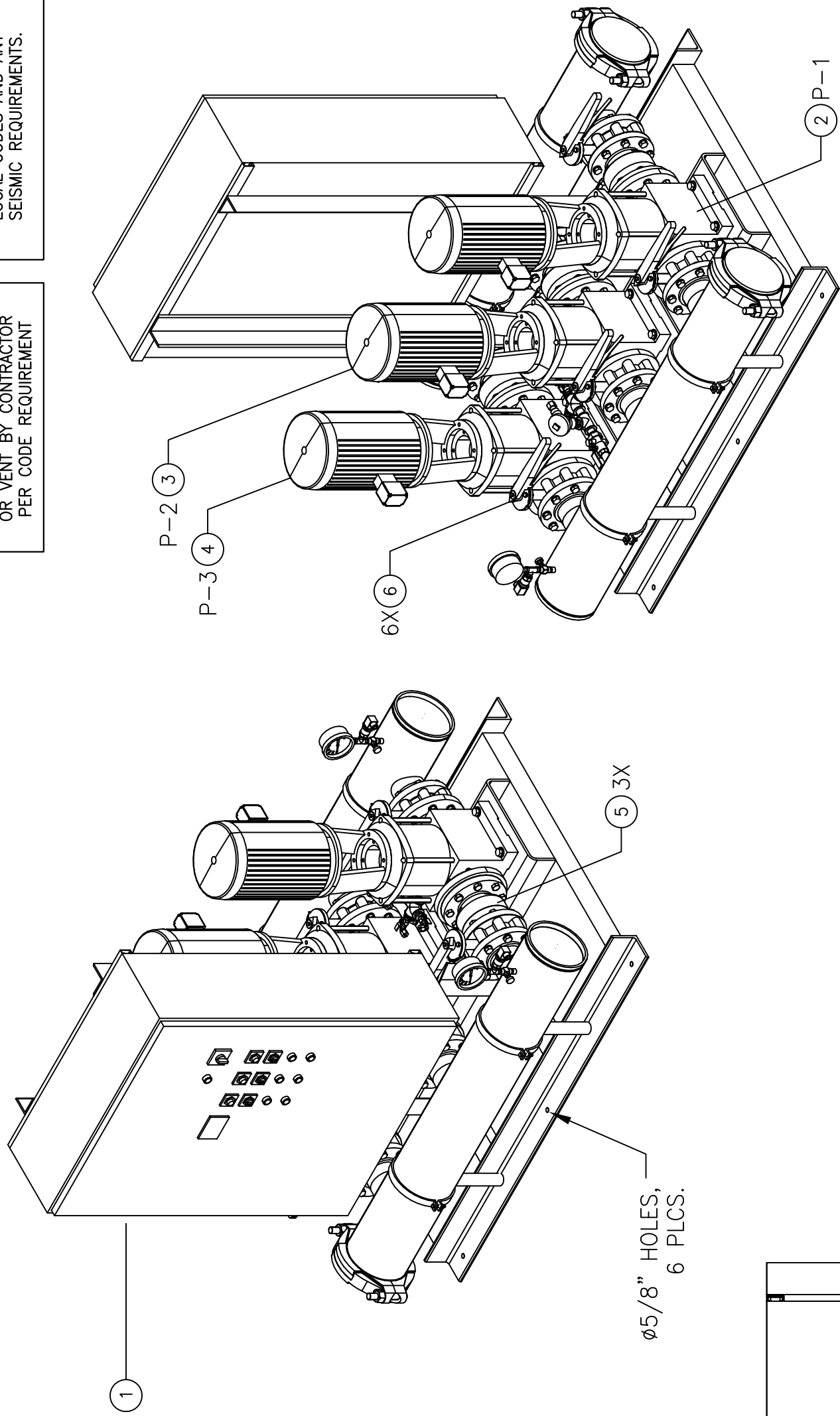
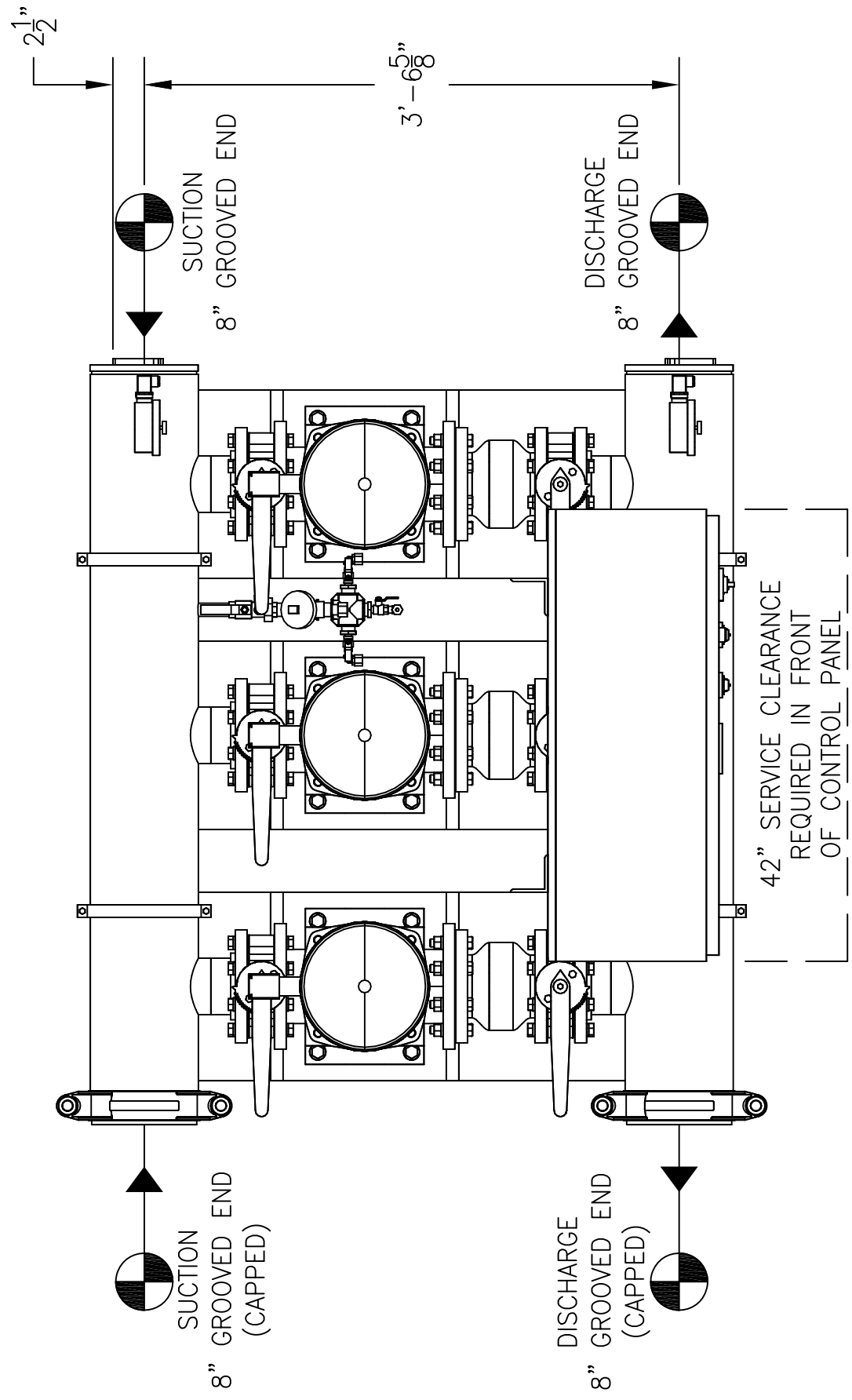


RELIEF VALVES AND EQUIPMENT DRAINS TO BE PIPIED TO DRAIN OR VENT BY CONTRACTOR PER CODE REQUIREMENT.

ALL BOLTING AND ANCHORAGE TO BE IN COMPLIANCE WITH LOCAL CODES AND ANY SEISMIC REQUIREMENTS.



CONSTRUCTION NOTES:

1. SUCTION AND DISCHARGE HEADERS ARE GROOVED ON BOTH ENDS.
2. END CAPS CAN BE PLACED ON EITHER END OF HEADERS.
3. SYSTEM DESIGNED FOR INDOOR INSTALLATION.

-GPM		-PSI		-PSI					
TOTAL FLOW	TOTAL DISCHARGE PRESSURE	TOTAL SYSTEM CAPACITY	AVAILABLE PRESSURE						
4	P-3	GOULDS	ESV	66SVG-2/1	-	20	3500	-	-
3	P-2	GOULDS	ESV	66SVG-2/1	-	20	3500	-	-
2	P-1	GOULDS	ESV	66SVG-2/1	-	20	3500	-	-

ITEM	TAG	MANUFACTURER	SERIES	MODEL	GPM	TDH	HP	RPM	VOLTS/HZ/PH	ENCLOSURE
10	-	-	-	-	-	-	-	-	-	-
9	-	-	-	-	-	-	-	-	-	-
8	-	-	-	-	-	-	-	-	-	-
7	-	-	-	-	-	-	-	-	-	-
6	6	-	-	LUG TYPE BUTTERFLY VALVE	-	4"	-	-	-	-
5	3	-	-	VAL-MATIC GLOBE CHECK VALVE	-	4"	-	-	-	-
4	1	P-3	GOULDS	ESV MULTISTAGE PUMP MODEL	66SVG-2/1	-	-	-	-	-
3	1	P-2	GOULDS	ESV MULTISTAGE PUMP MODEL	66SVG-2/1	-	-	-	-	-
2	1	P-1	GOULDS	ESV MULTISTAGE PUMP MODEL	66SVG-2/1	-	-	-	-	-
1	1	-	-	VARIABLE SPEED PUMP CONTROL PANEL	-	-	-	-	-	-

PUMP SCHEDULE

ITEM	QTY	TAG	DESCRIPTION
10	-	-	-
9	-	-	-
8	-	-	-
7	-	-	-
6	6	-	LUG TYPE BUTTERFLY VALVE - 4"
5	3	-	VAL-MATIC GLOBE CHECK VALVE - 4"
4	1	P-3	GOULDS ESV MULTISTAGE PUMP MODEL 66SVG-2/1
3	1	P-2	GOULDS ESV MULTISTAGE PUMP MODEL 66SVG-2/1
2	1	P-1	GOULDS ESV MULTISTAGE PUMP MODEL 66SVG-2/1
1	1	-	VARIABLE SPEED PUMP CONTROL PANEL

GENERAL NOTES:
 (1) SINGLE POINT POWER CONNECTION AT CONTROL PANEL.
 (2) HYDRO PRESSURE CHECK AT 125 PSI.
 (3) ASSEMBLED SYSTEM TO BE PAINTED WITH INDUSTRIAL MACHINE ENAMEL PRIOR TO SHIPMENT.

UL LISTED
 PACKAGED PUMPING SYSTEMS
 & HEAT TRANSFER SYSTEMS

APPROXIMATE SHIPPING WEIGHT: 2,901 LBS.
 APPROXIMATE OPERATING WEIGHT: 3,192 LBS.

THIS DRAWING AND THE INFORMATION DEPICTED THEREIN IS THE PROPERTY OF FLOWTHERM SYSTEMS, A DIVISION OF CHC. COPIES ARE ISSUED IN STRICT CONFIDENCE AND SHALL NOT BE REPRODUCED, COPIED, OR USED AS THE BASIS FOR FABRICATING OR SALE OF ANY PRODUCT WITHOUT PRIOR WRITTEN PERMISSION OF CHC.

PROJECT NAME:
 CUSTOMER:
 DRAWN BY DATE: 02/11/14
 CHECKED BY APPROVED BY
 TOLERANCES UNLESS OTHERWISE SPECIFIED
 DEC: .500" FRAC: 1/2" ANGLE: 5' SCALE: 1" = 1'

DRAWING TITLE:
 VARIABLE SPEED TRIPLEX PRESSURE BOOSTER

FAB No. DRAWING No. REV
 - FW3-18 1

