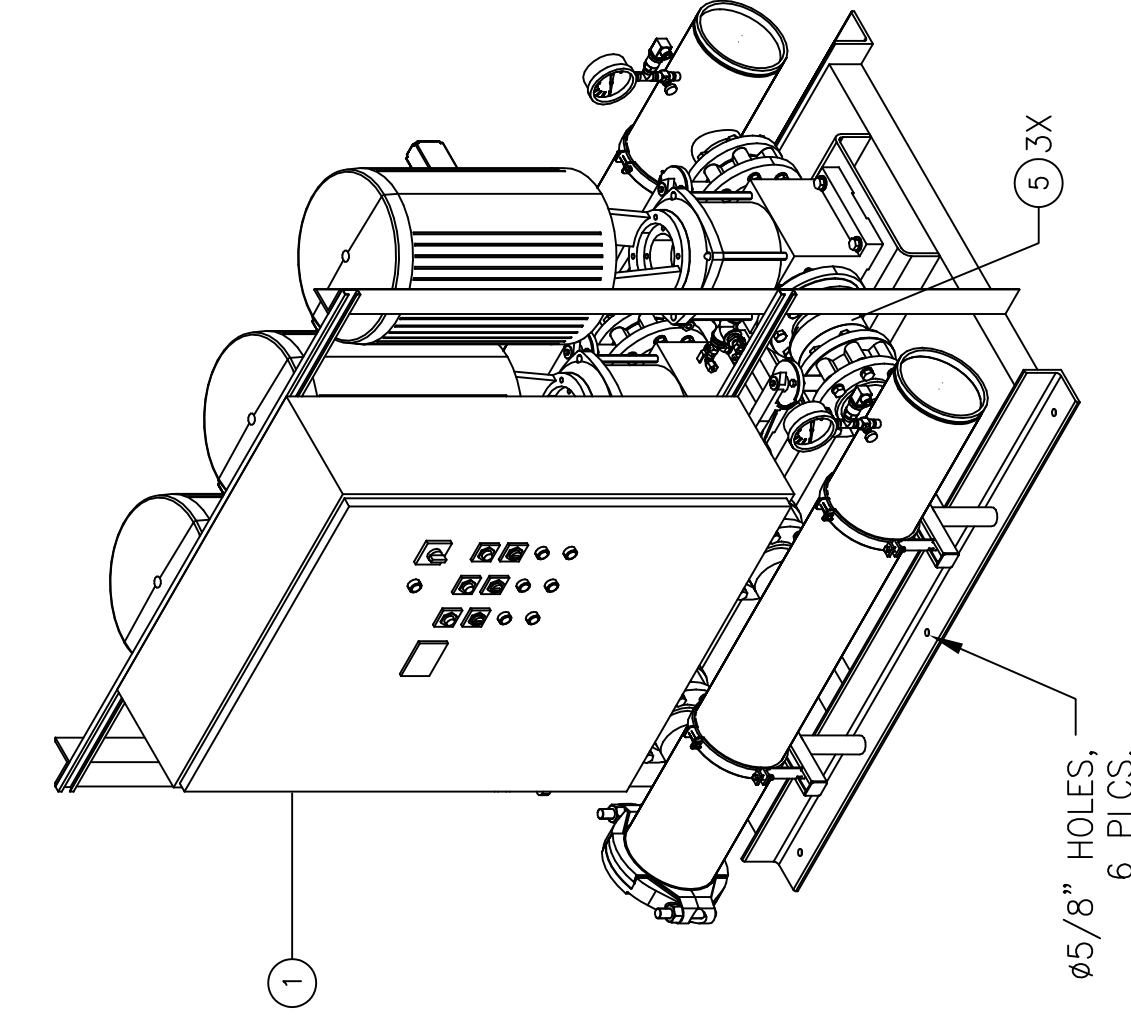
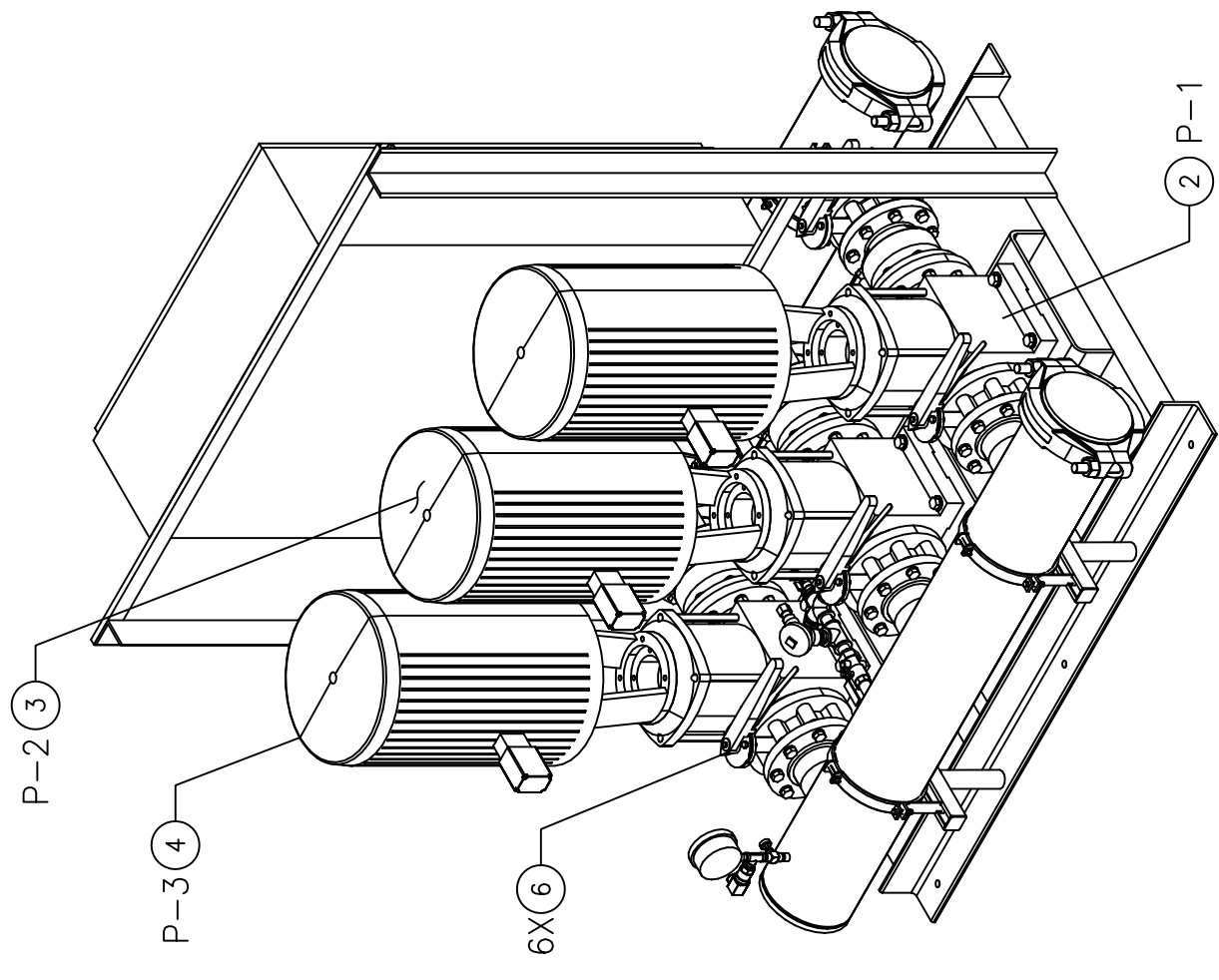
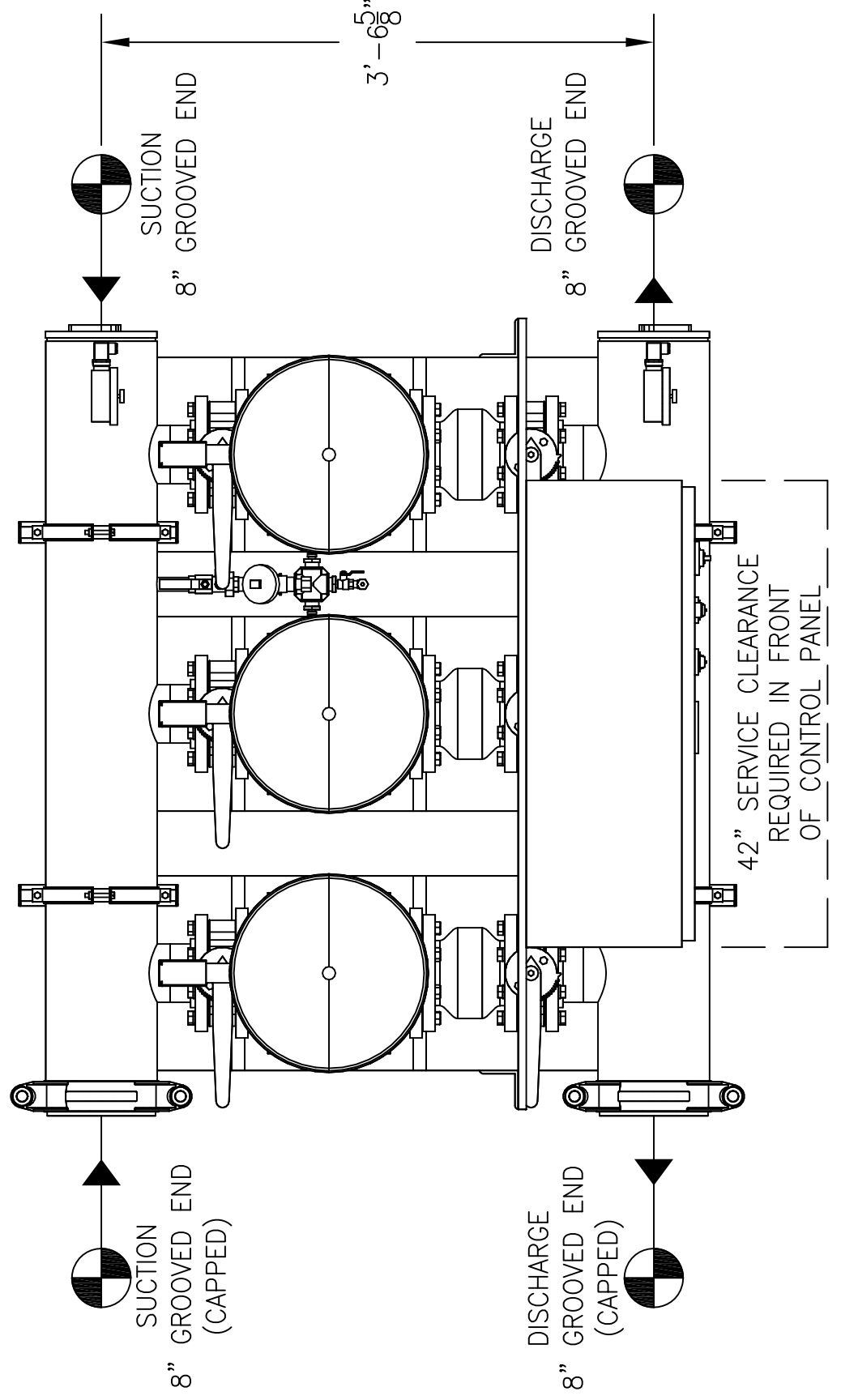


RELIEF VALVES AND EQUIPMENT DRAINS TO BE IN COMPLIANCE WITH LOCAL CODES AND ANY SEISMIC REQUIREMENTS.

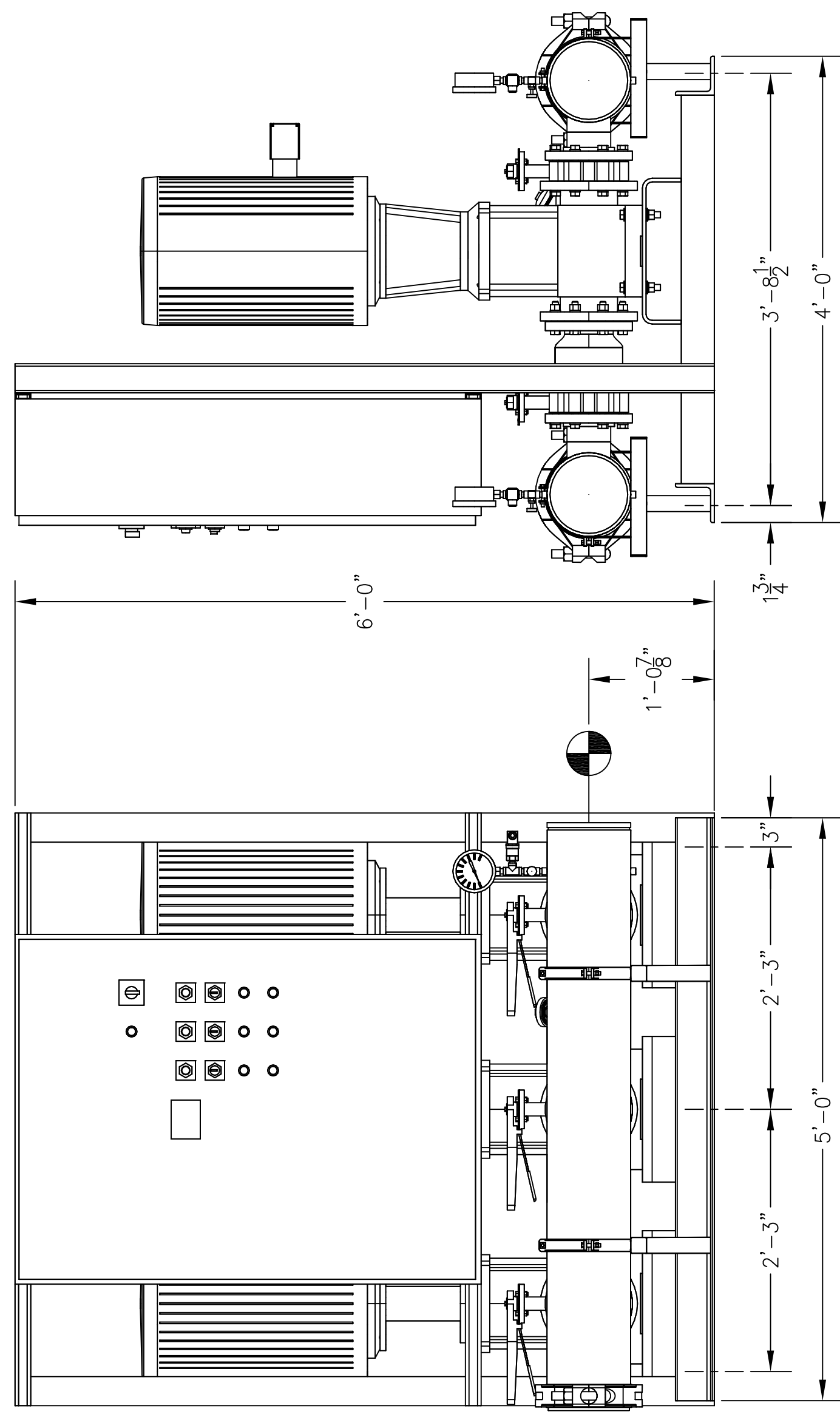


Ø5/8" HOLES, 6 PLCS.



42" SERVICE CLEARANCE REQUIRED IN FRONT OF CONTROL PANEL

TOP VIEW



FRONT VIEW

RIGHT END VIEW

CONSTRUCTION NOTES:

1. SUCTION AND DISCHARGE HEADERS ARE GROOVED ON BOTH ENDS.
2. END CAPS CAN BE PLACED ON EITHER END OF HEADERS.
3. SYSTEM DESIGNED FOR INDOOR INSTALLATION.

- GPM		- PSI		- PSI	
TOTAL FLOW	TOTAL DISCHARGE PRESSURE	TOTAL SYSTEM CAPACITY	AVAILABLE PRESSURE		

ITEM	TAG	MANUFACTURER	SERIES	MODEL	GPM	TDH	HP	RPM	VOLTS/HZ/PH	ENCLOSURE
4	P-3	GOULDS	ESV	66SVG-2	-	-	25	3500	-	-
3	P-2	GOULDS	ESV	66SVG-2	-	-	25	3500	-	-
2	P-1	GOULDS	ESV	66SVG-2	-	-	25	3500	-	-

PUMP SCHEDULE

ITEM	QTY	TAG	DESCRIPTION
10	-	-	-
9	-	-	-
8	-	-	-
7	-	-	-
6	6	-	LUG TYPE BUTTERFLY VALVE - 4"
5	3	-	VAL-MATIC GLOBE CHECK VALVE - 4"
4	1	P-3	GOULDS ESV MULTISTAGE PUMP MODEL 66SVG-2
3	1	P-2	GOULDS ESV MULTISTAGE PUMP MODEL 66SVG-2
2	1	P-1	GOULDS ESV MULTISTAGE PUMP MODEL 66SVG-2
1	1	-	VARIABLE SPEED PUMP CONTROL PANEL

EQUIPMENT SCHEDULE

PROJECT NAME:	-
CUSTOMER:	-
DRAWN BY DATE:	ACD 02/11/14
CHECKED BY APPROVED BY:	-
TOLERANCES UNLESS OTHERWISE SPECIFIED:	-
DEC.:	.500"
FRAC.:	1/2"
ANGLE:	5°
SCALE:	1" = 1'
FAB No.:	-
DRAWING No.:	FW3-19
REV:	1

GENERAL NOTES:

- (1) SINGLE POINT POWER CONNECTION AT CONTROL PANEL.
- (2) HYDRO PRESSURE CHECK AT 125 PSI.
- (3) ASSEMBLED SYSTEM TO BE PAINTED WITH INDUSTRIAL MACHINE ENAMEL PRIOR TO SHIPMENT.

⊕ = DENOTES CONTRACTOR POINT OF CONNECTION

THIS DRAWING AND THE INFORMATION DEPICTED THEREIN IS THE PROPERTY OF FLOWTHERM SYSTEMS, A DIVISION OF CHC. COPIES ARE ISSUED IN STRICT CONFIDENCE AND SHALL NOT BE REPRODUCED, COPIED, OR SOLE AS THE BASIS FOR FACTURING OR SALE OF ANY PRODUCT WITHOUT PRIOR WRITTEN PERMISSION OF CHC.

LISTED

PACKAGED PUMPING SYSTEMS & HEAT TRANSFER SYSTEMS



APPROXIMATE SHIPPING WEIGHT: 3,409 LBS.  
APPROXIMATE OPERATING WEIGHT: 3,701 LBS.

PROJECT NAME:

CUSTOMER:

DRAWING TITLE:



HAYWARD, CALIFORNIA

VARIABLE SPEED TRIPLEX PRESSURE BOOSTER