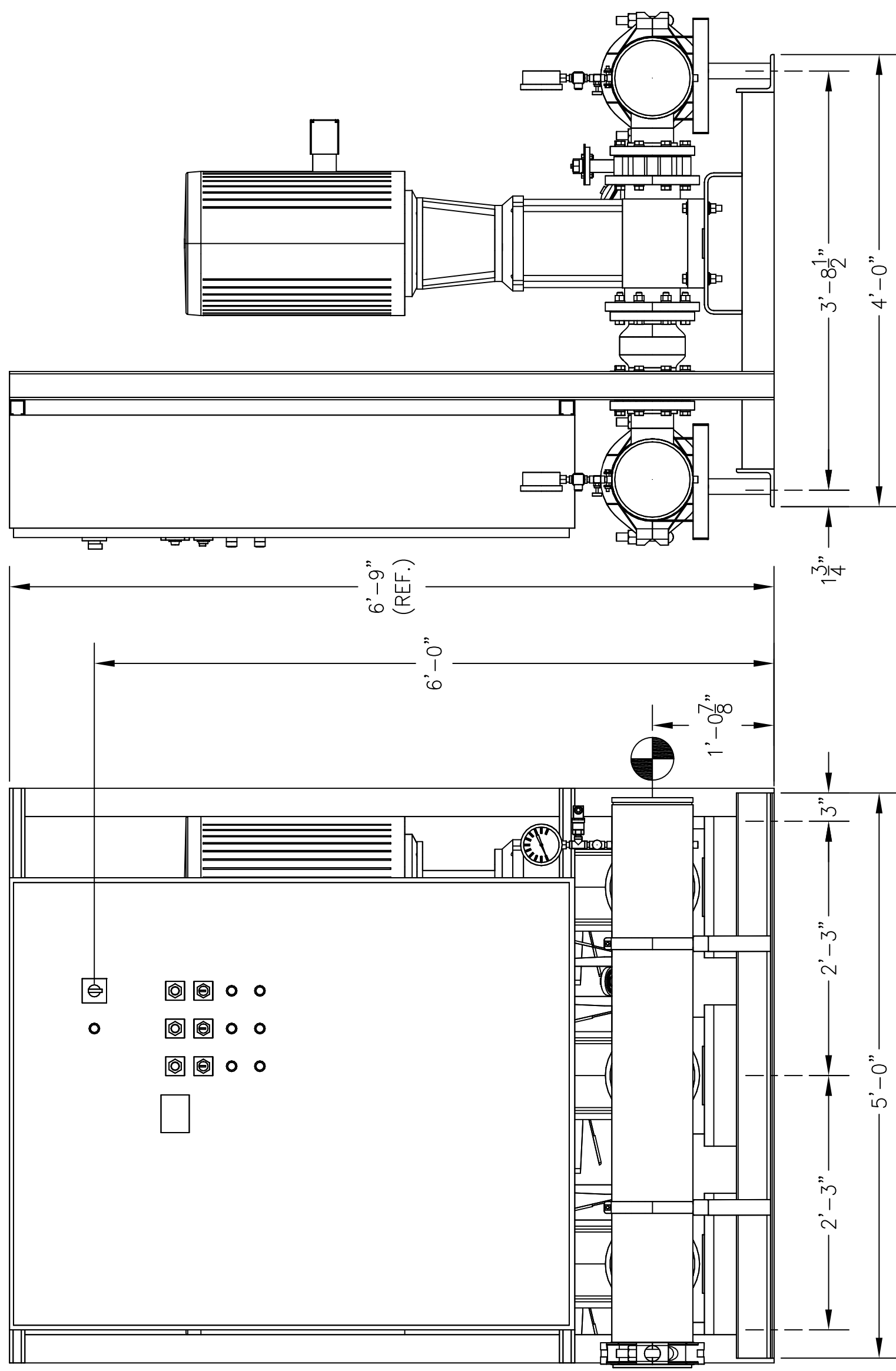
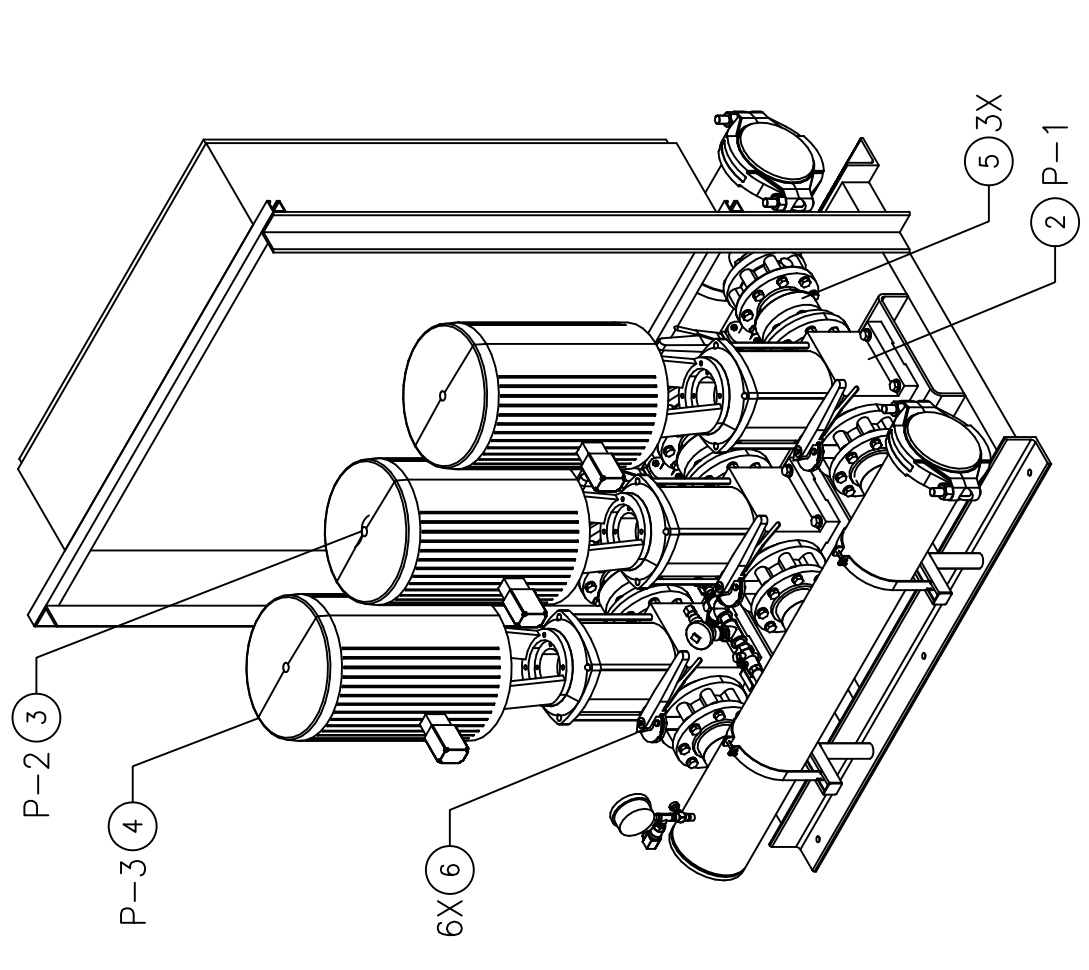
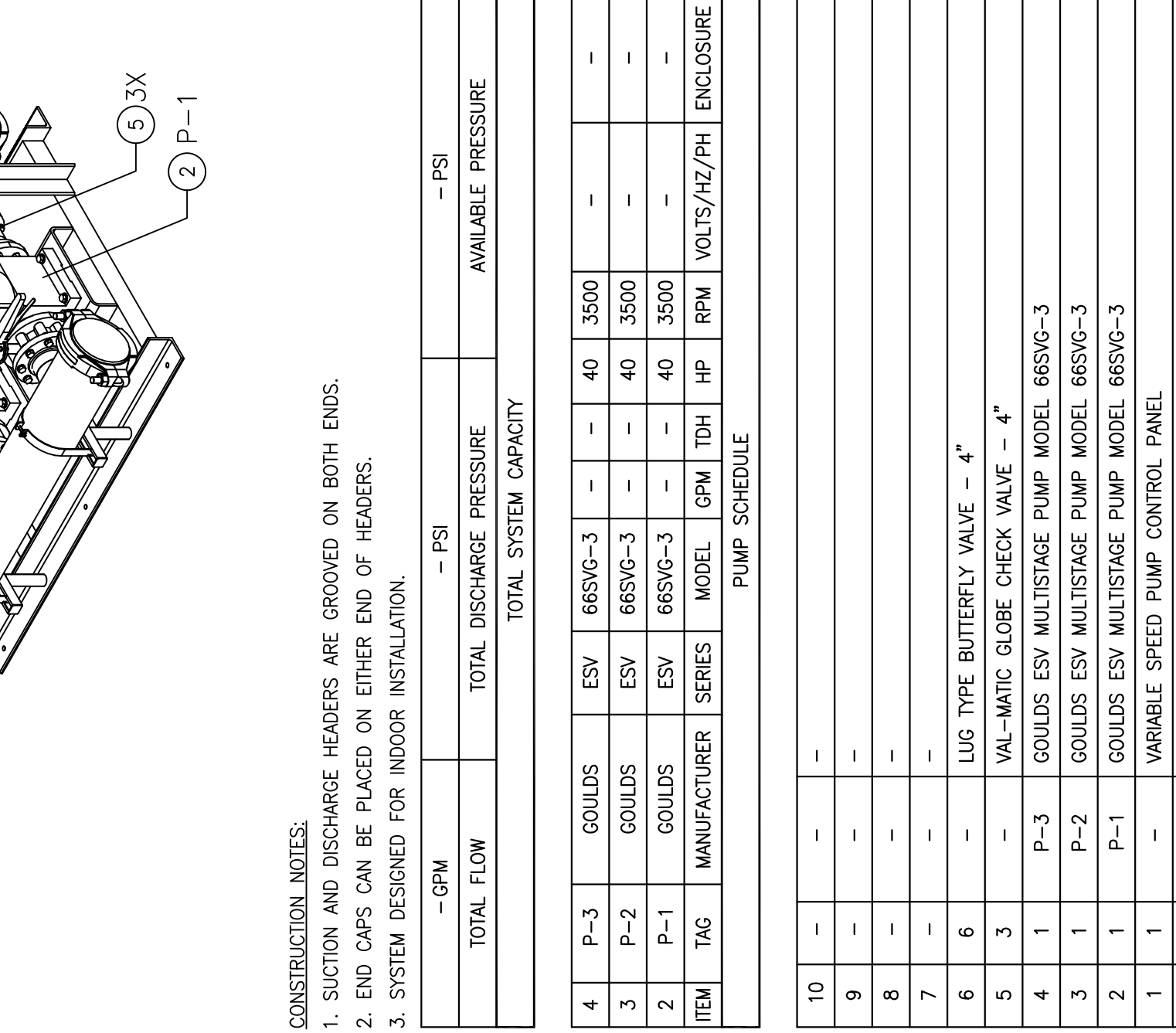


RELIEF VALVES AND EQUIPMENT DRAINS TO BE PIPED TO DRAIN OR VENT BY CONTRACTOR PER CODE REQUIREMENT.



FRONT VIEW



RIGHT END VIEW

- CONSTRUCTION NOTES:
1. SUCTION AND DISCHARGE HEADERS ARE GROOVED ON BOTH ENDS.
 2. END CAPS CAN BE PLACED ON EITHER END OF HEADERS.
 3. SYSTEM DESIGNED FOR INDOOR INSTALLATION.

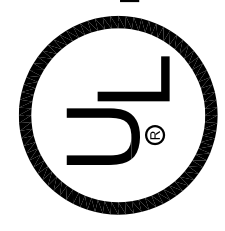
- GPM		- PSI		- PSI	
TOTAL FLOW	TOTAL DISCHARGE PRESSURE	TOTAL SYSTEM CAPACITY	AVAILABLE PRESSURE		

ITEM	TAG	MANUFACTURER	SERIES	MODEL	GPM	TDH	HP	RPM	VOLTS/HZ/PH	ENCLOSURE
4	P-3	GOULDS	ESV	66SVG-3	-	-	40	3500	-	-
3	P-2	GOULDS	ESV	66SVG-3	-	-	40	3500	-	-
2	P-1	GOULDS	ESV	66SVG-3	-	-	40	3500	-	-

PUMP SCHEDULE

ITEM	QTY	TAG	DESCRIPTION
10	-	-	-
9	-	-	-
8	-	-	-
7	-	-	-
6	6	-	LUG TYPE BUTTERFLY VALVE - 4"
5	3	-	VAL-MATIC GLOBE CHECK VALVE - 4"
4	1	P-3	GOULDS ESV MULTISTAGE PUMP MODEL 66SVG-3
3	1	P-2	GOULDS ESV MULTISTAGE PUMP MODEL 66SVG-3
2	1	P-1	GOULDS ESV MULTISTAGE PUMP MODEL 66SVG-3
1	1	-	VARIABLE SPEED PUMP CONTROL PANEL

EQUIPMENT SCHEDULE



LISTED
PACKAGED PUMPING SYSTEMS
& HEAT TRANSFER SYSTEMS

APPROXIMATE SHIPPING WEIGHT: 3,539 LBS.
APPROXIMATE OPERATING WEIGHT: 3,831 LBS.

THIS DRAWING AND THE INFORMATION DEPICTED THEREIN IS THE PROPERTY OF FLOWTHERM SYSTEMS, A DIVISION OF CHC. COPIES ARE ISSUED IN STRICT CONFIDENCE AND SHALL NOT BE REPRODUCED, COPIED, OR SOLE AS THE BASIS FOR FACTURING OR SALE OF ANY PRODUCT WITHOUT PRIOR WRITTEN PERMISSION OF CHC.

PROJECT NAME:

CUSTOMER:

DRAWN BY DATE: / / CHECKED BY APPROVED BY

TOLERANCES UNLESS OTHERWISE SPECIFIED

DEC. .500" FRAC. 1/2" ANGLE 5" SCALE 1" = 1'

DRAWING TITLE:

VARIABLE SPEED TRIPLEX PRESSURE BOOSTER



HAYWARD, CALIFORNIA

GENERAL NOTES:

- (1) SINGLE POINT POWER CONNECTION AT CONTROL PANEL.
- (2) HYDRO PRESSURE CHECK AT 125 PSI.
- (3) ASSEMBLED SYSTEM TO BE PAINTED WITH INDUSTRIAL MACHINE ENAMEL PRIOR TO SHIPMENT.

○ = DENOTES CONTRACTOR POINT OF CONNECTION

FAB No. - DRAWING No. FMV3-21

REV 1