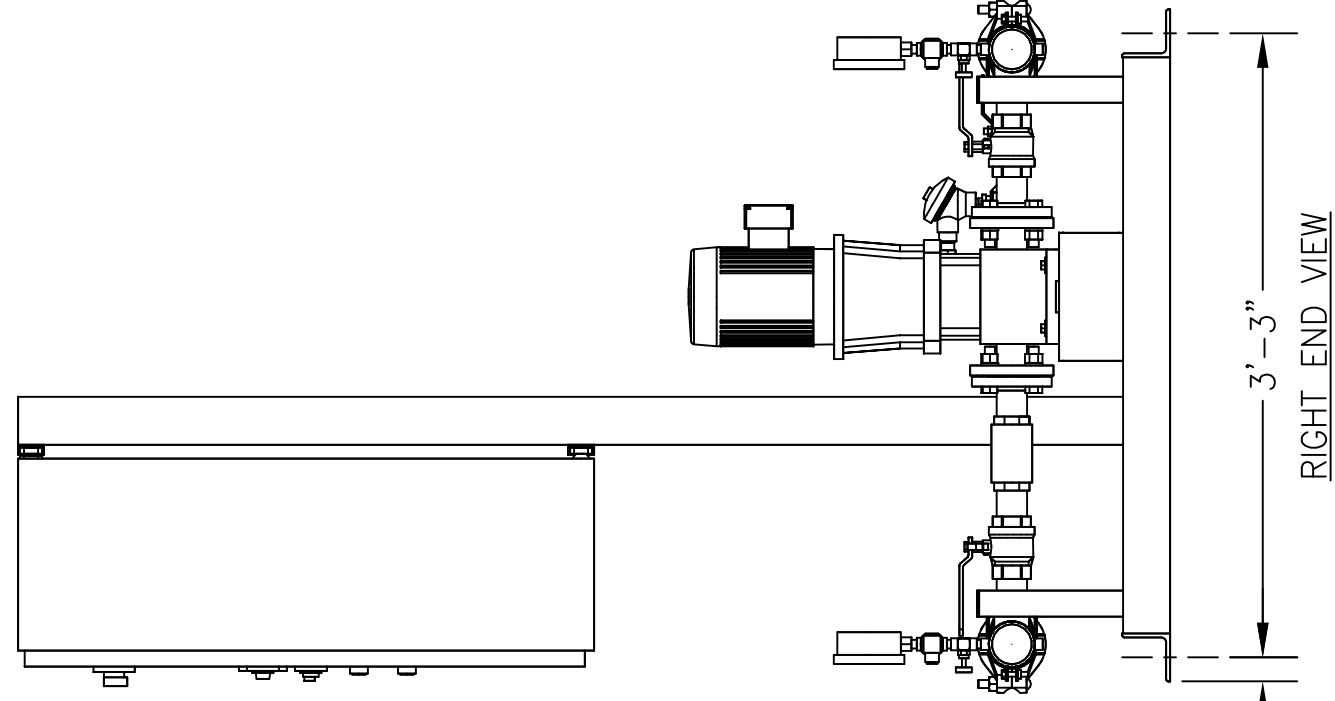
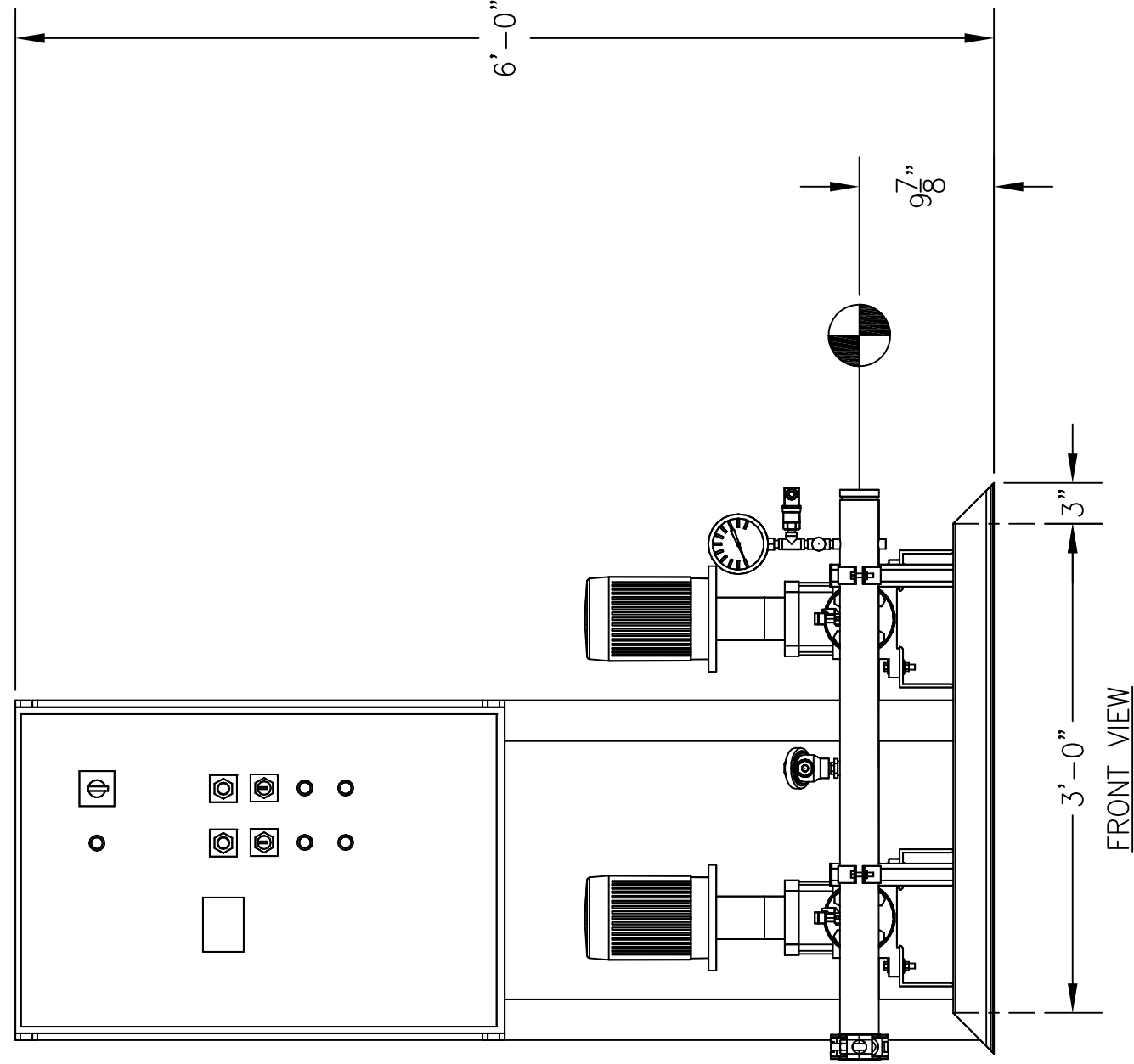


RELIEF VALVES AND EQUIPMENT DRAINS TO BE PIPED TO DRAIN OR VENT BY CONTRACTOR PER CODE REQUIREMENT

ALL BOLTING AND ANCHORAGE TO BE IN COMPLIANCE WITH LOCAL CODES AND ANY SEISMIC REQUIREMENTS.



CONSTRUCTION NOTES:

1. SUCTION AND DISCHARGE HEADERS ARE GROOVED ON BOTH ENDS.
2. END CAPS CAN BE PLACED ON EITHER END OF HEADERS.
3. SYSTEM DESIGNED FOR INDOOR INSTALLATION.

-GPM		-PSI		-PSI						
TOTAL FLOW		TOTAL DISCHARGE PRESSURE		AVAILABLE PRESSURE						
TOTAL SYSTEM CAPACITY										
3	P-2	GOULDS	ESV	5SVG-3	-	1	3500	-	-	
2	P-1	GOULDS	ESV	5SVG-3	-	1	3500	-	-	
ITEM	TAG	MANUFACTURER	SERIES	MODEL	GPM	TDH	HP	RPM	VOLTS/HZ/PH	ENCLOSURE

PUMP SCHEDULE

ITEM	QTY	TAG	DESCRIPTION
10	-	-	-
9	-	-	-
8	-	-	-
7	-	-	-
6	-	-	-
5	4	-	BALL VALVE - 1-1/2"
4	2	-	DANFOSS FLOWMATIC CHECK VALVE - 1-1/2"
3	1	P-2	GOULDS ESV MULTI-STAGE PUMP MODEL 5SVG-3
2	1	P-1	GOULDS ESV MULTI-STAGE PUMP MODEL 5SVG-3
1	1	-	VARIABLE SPEED PUMP CONTROL PANEL

EQUIPMENT SCHEDULE

PROJECT NAME	CHECKED BY	APPROVED BY		
-	12/27/13	-		
CUSTOMER	TOLERANCES UNLESS OTHERWISE SPECIFIED	SCALE		
-	-	1" = 1'		
DEC.	FRAC.	ANGLE	SIZE	C
.500"	1/2"	5'	-	-
FAB No.	DRAWING No.	REV		
-	FW2-1LH-FAB	1		

PROJECT NAME:

-

CUSTOMER:

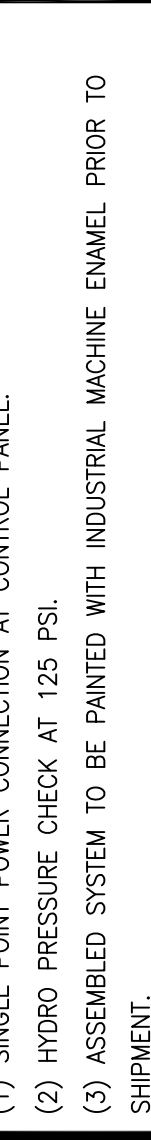
-

DRAWN BY DATE

12/27/13

THIS DRAWING AND THE INFORMATION DEPICTED THEREIN IS THE PROPERTY OF FLOWTHERM SYSTEMS, A DIVISION OF CHC. COPIES ARE ISSUED IN STRICT CONFIDENCE AND SHALL NOT BE REPRODUCED, COPIED, OR USED AS THE BASIS FOR CONTRACTING OR SALE OF ANY PRODUCT WITHOUT PRIOR WRITTEN PERMISSION OF CHC.

LISTED
PACKAGED PUMPING SYSTEMS
& HEAT TRANSFER SYSTEMS



APPROXIMATE SHIPPING WEIGHT: 640 LBS.
APPROXIMATE OPERATING WEIGHT: 665 LBS.

GENERAL NOTES:

- (1) SINGLE POINT POWER CONNECTION AT CONTROL PANEL.
- (2) HYDRO PRESSURE CHECK AT 125 PSI.
- (3) ASSEMBLED SYSTEM TO BE PAINTED WITH INDUSTRIAL MACHINE ENAMEL PRIOR TO SHIPMENT.

○ = DENOTES CONTRACTOR POINT OF CONNECTION

FlowTHERM Systems

HAYWARD, CALIFORNIA

VARIABLE SPEED DUPLEX PRESSURE BOOSTER