

RELIEF VALVES AND EQUIPMENT DRAINS TO BE PIPED TO DRAIN OR VENT BY CONTRACTOR PER CODE REQUIREMENT

ALL BOLTING AND ANCHORAGE TO BE IN COMPLIANCE WITH LOCAL CODES AND ANY SEISMIC REQUIREMENTS.

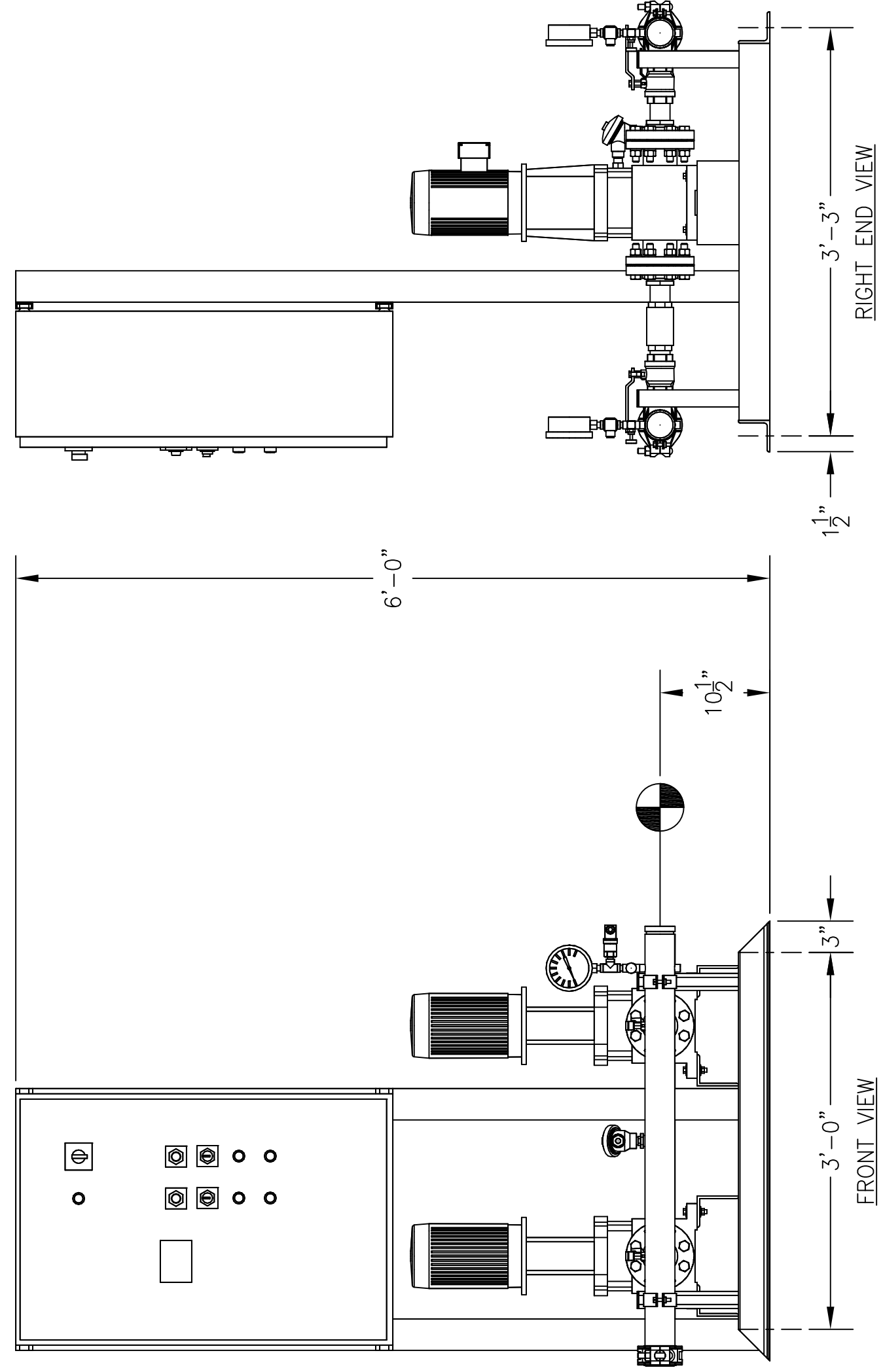
**CONSTRUCTION NOTES:**

1. SUCTION AND DISCHARGE HEADERS ARE GROOVED ON BOTH ENDS.
2. END CAPS CAN BE PLACED ON EITHER END OF HEADERS.
3. SYSTEM DESIGNED FOR INDOOR INSTALLATION.

-GPM		- PSI		- PSI						
TOTAL FLOW		TOTAL DISCHARGE PRESSURE		AVAILABLE PRESSURE						
TOTAL SYSTEM CAPACITY										
3	P-2	GOULDS	ESV	10SVG-2	-	2	3500	-	-	
2	P-1	GOULDS	ESV	10SVG-2	-	2	3500	-	-	
ITEM	TAG	MANUFACTURER	SERIES	MODEL	GPM	TDH	HP	RPM	VOLTS/HZ/PH	ENCLOSURE

PUMP SCHEDULE

ITEM	QTY	TAG	DESCRIPTION
10	-	-	-
9	-	-	-
8	-	-	-
7	-	-	-
6	-	-	-
5	4	-	BALL VALVE - 1 1/2"
4	2	-	DANFOSS FLOWMATIC CHECK VALVE - 1 1/2"
3	1	P-2	GOULDS ESV MULTI-STAGE PUMP MODEL 10SVG-2
2	1	P-1	GOULDS ESV MULTI-STAGE PUMP MODEL 10SVG-2
1	1	-	VARIABLE SPEED PUMP CONTROL PANEL



- GENERAL NOTES:**
- (1) SINGLE POINT POWER CONNECTION AT CONTROL PANEL.
  - (2) HYDRO PRESSURE CHECK AT 125 PSI.
  - (3) ASSEMBLED SYSTEM TO BE PAINTED WITH INDUSTRIAL MACHINE ENAMEL PRIOR TO SHIPMENT.

⊕ = DENOTES CONTRACTOR POINT OF CONNECTION

THIS DRAWING AND THE INFORMATION DEPICTED THEREIN IS THE PROPERTY OF FLOWTHERM SYSTEMS, A DIVISION OF CHC. COPIES ARE ISSUED IN STRICT CONFIDENCE AND SHALL NOT BE REPRODUCED, COPIED, OR USED AS THE BASIS FOR CONTRACTING OR SALE OF ANY PRODUCT WITHOUT PRIOR WRITTEN PERMISSION OF CHC.

**LISTED**  
 PACKAGED PUMPING SYSTEMS  
 & HEAT TRANSFER SYSTEMS

UL

APPROXIMATE SHIPPING WEIGHT: 704 LBS.  
 APPROXIMATE OPERATING WEIGHT: 729 LBS.

PROJECT NAME: \_\_\_\_\_  
 CUSTOMER: \_\_\_\_\_  
 DRAWN BY DATE: \_\_\_\_\_  
 CHECKED BY: \_\_\_\_\_  
 APPROVED BY: \_\_\_\_\_  
 12/27/13  
 TOLERANCES UNLESS OTHERWISE SPECIFIED  
 DEC: .500"    FRAC: 1/2"    ANGLE: 5'    SCALE: 1" = 1'

**FlowTHERM systems**  
 HAYWARD, CALIFORNIA

DRAWING TITLE: VARIABLE SPEED DUPLEX PRESSURE BOOSTER

DRAWING No. \_\_\_\_\_  
 FAB No. \_\_\_\_\_  
 REV 1