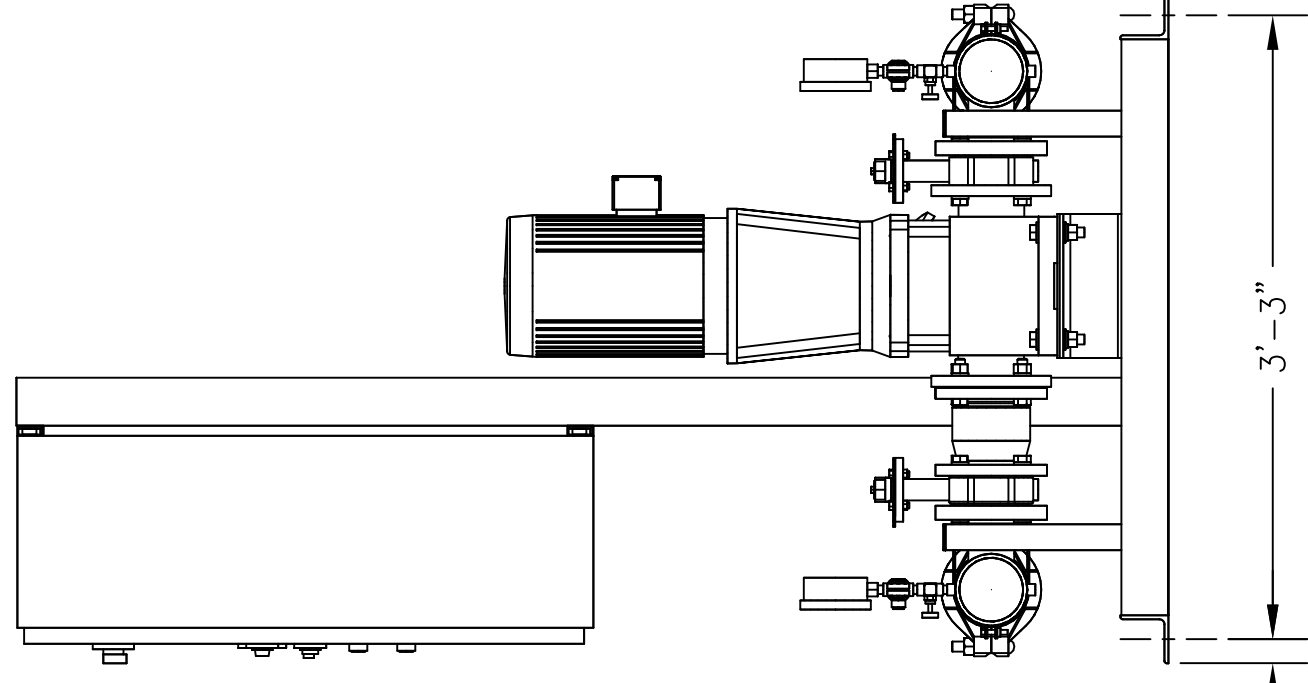
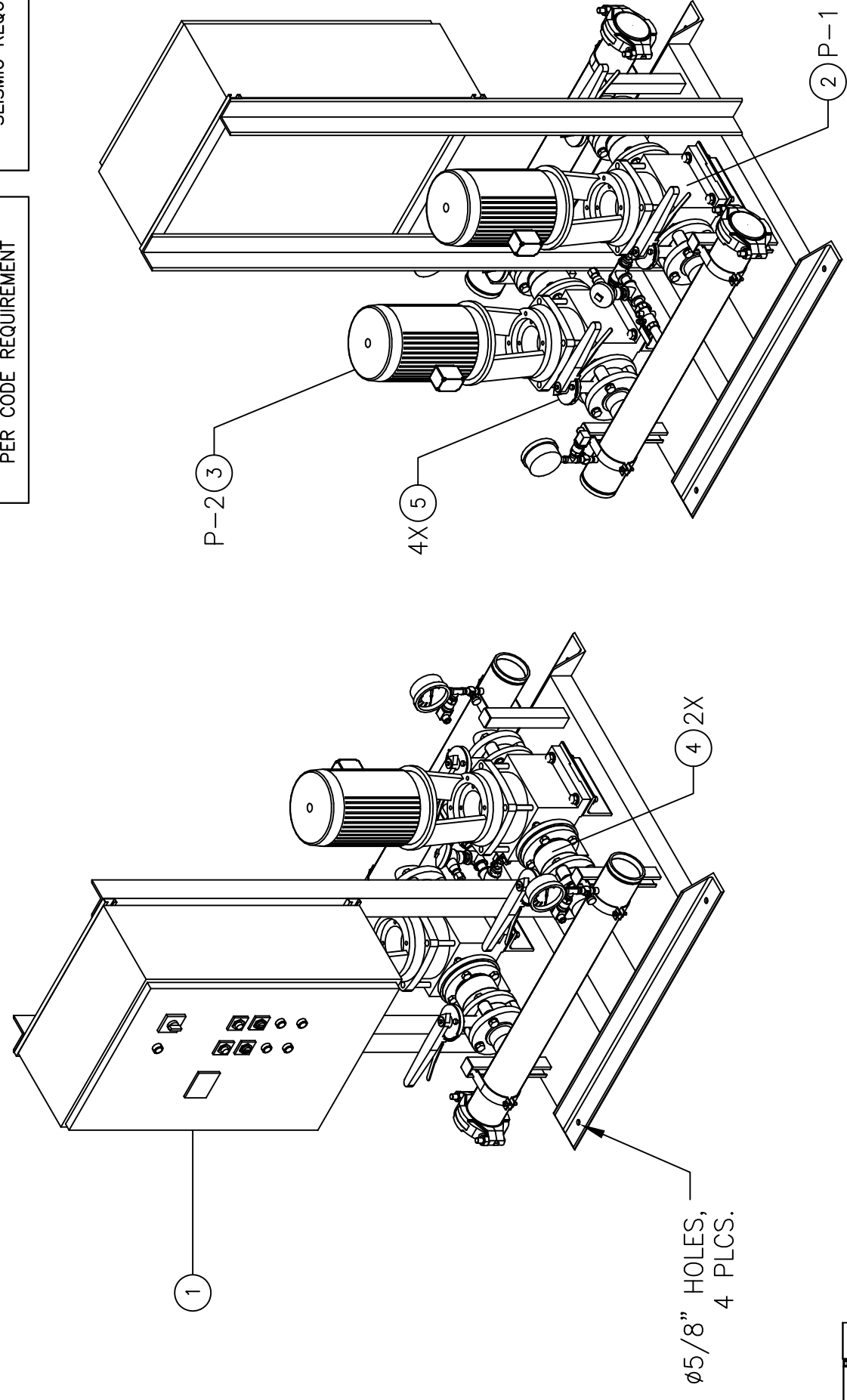


FRONT VIEW



RIGHT END VIEW



RELIEF VALVES AND EQUIPMENT DRAINS TO BE PIPED TO DRAIN OR VENT BY CONTRACTOR PER CODE REQUIREMENT

ALL BOLTING AND ANCHORAGE TO BE IN COMPLIANCE WITH LOCAL CODES AND ANY SEISMIC REQUIREMENTS.

CONSTRUCTION NOTES:

1. SUCTION AND DISCHARGE HEADERS ARE GROOVED ON BOTH ENDS.
2. END CAPS CAN BE PLACED ON EITHER END OF HEADERS.
3. SYSTEM DESIGNED FOR INDOOR INSTALLATION.

- GPM		- PSI		- PSI						
TOTAL FLOW		TOTAL DISCHARGE PRESSURE		AVAILABLE PRESSURE						
TOTAL SYSTEM CAPACITY										
3	P-2	GOULDS	ESV	335VG-1	-	5	3500	-	-	
2	P-1	GOULDS	ESV	335VG-1	-	5	3500	-	-	
ITEM	TAG	MANUFACTURER	SERIES	MODEL	GPM	TDH	HP	RPM	VOLTS/HZ/PH	ENCLOSURE

PUMP SCHEDULE

ITEM	QTY	TAG	DESCRIPTION
10	-	-	-
9	-	-	-
8	-	-	-
7	-	-	-
6	-	-	-
5	4	-	LUG TYPE BUTTERFLY VALVE - 2 1/2"
4	2	-	VAL-MATIC GLOBE CHECK VALVE MODEL 1825 - 2 1/2"
3	1	P-2	GOULDS ESV MULTI-STAGE PUMP MODEL 335VG-1
2	1	P-1	GOULDS ESV MULTI-STAGE PUMP MODEL 335VG-1
1	1	-	VARIABLE SPEED PUMP CONTROL PANEL

GENERAL NOTES:

- (1) SINGLE POINT POWER CONNECTION AT CONTROL PANEL.
- (2) HYDRO PRESSURE CHECK AT 125 PSI.
- (3) ASSEMBLED SYSTEM TO BE PAINTED WITH INDUSTRIAL MACHINE ENAMEL PRIOR TO SHIPMENT.



= DENOTES CONTRACTOR POINT OF CONNECTION SHIPMENT.

THIS DRAWING AND THE INFORMATION DEPICTED THEREIN IS THE PROPERTY OF FLOWTHERM SYSTEMS, A DIVISION OF CHC. COPIES ARE ISSUED IN STRICT CONFIDENCE AND SHALL NOT BE REPRODUCED, COPIED, OR USED AS THE BASIS FOR FABRICATING OR INSTALLING ANY PRODUCT WITHOUT PRIOR WRITTEN PERMISSION OF CHC.

PROJECT NAME:

-

CUSTOMER:

-

DRAWN BY DATE:

ACD 12/27/13

CHECKED BY APPROVED BY:

-

TOLERANCES UNLESS OTHERWISE SPECIFIED:

DEC. .500"

FRAC. 1/2"

ANGLE 5'

SIZE C

SCALE 1" = 1'

DRAWING No. -

FAB No. -

DRAWING TITLE: VARIABLE SPEED DUPLEX PRESSURE BOOSTER

REVISION: -

REV 1

REV 1

REV 1

REV 1

REV 1

REV 1

REV 1

REV 1

