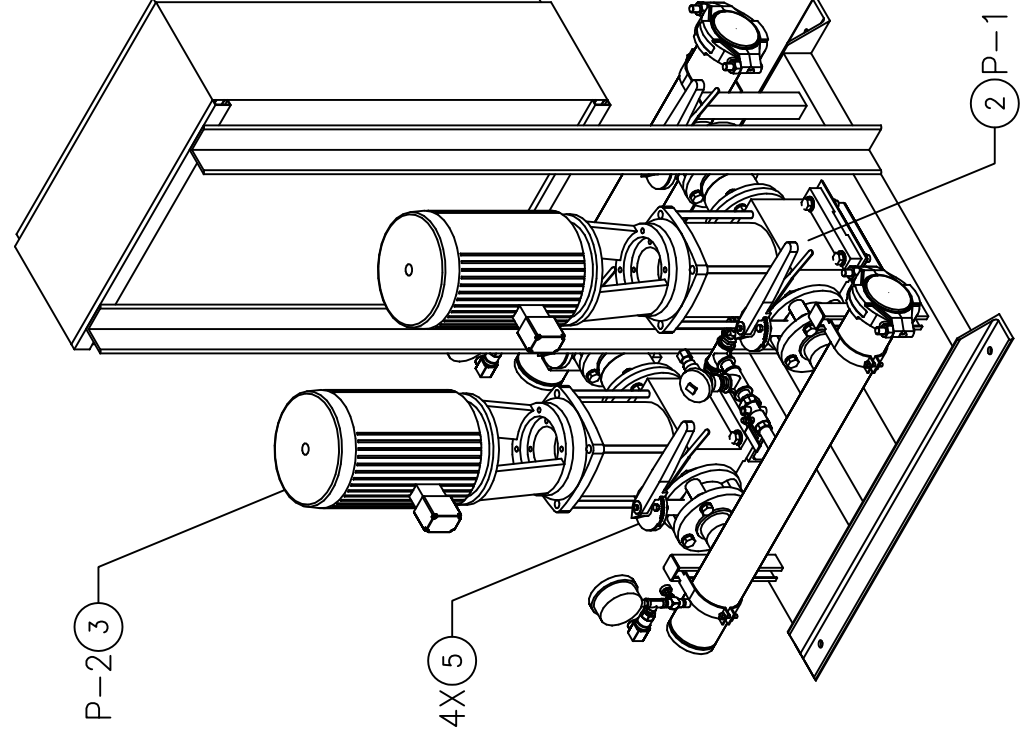


RELIEF VALVES AND EQUIPMENT DRAINS TO BE PIPIED TO DRAIN OR VENT BY CONTRACTOR PER CODE REQUIREMENT.



CONSTRUCTION NOTES:

1. SUCTION AND DISCHARGE HEADERS ARE GROOVED ON BOTH ENDS.
2. END CAPS CAN BE PLACED ON EITHER END OF HEADERS.
3. SYSTEM DESIGNED FOR INDOOR INSTALLATION.

- GPM		- PSI		- PSI						
TOTAL FLOW		TOTAL DISCHARGE PRESSURE		AVAILABLE PRESSURE						
TOTAL SYSTEM CAPACITY										
3	P-2	GOULDS	ESV	33SVG-3	-	15	3500	-	-	
2	P-1	GOULDS	ESV	33SVG-3	-	15	3500	-	-	
ITEM	TAG	MANUFACTURER	SERIES	MODEL	GPM	TDH	HP	RPM	VOLTS/HZ/PH	ENCLOSURE

PUMP SCHEDULE

ITEM	QTY	TAG	DESCRIPTION
10	-	-	-
9	-	-	-
8	-	-	-
7	-	-	-
6	-	-	-
5	4	-	LUG TYPE BUTTERFLY VALVE - 2-1/2"
4	2	-	VAL-MATIC GLOBE CHECK VALVE MODEL 1825 - 2-1/2"
3	1	P-2	GOULDS ESV MULTI-STAGE PUMP MODEL 33SVG-3
2	1	P-1	GOULDS ESV MULTI-STAGE PUMP MODEL 33SVG-3
1	1	-	VARIABLE SPEED PUMP CONTROL PANEL

EQUIPMENT SCHEDULE

GENERAL NOTES:

- (1) SINGLE POINT POWER CONNECTION AT CONTROL PANEL.
- (2) HYDRO PRESSURE CHECK AT 125 PSI.
- (3) ASSEMBLED SYSTEM TO BE PAINTED WITH INDUSTRIAL MACHINE ENAMEL PRIOR TO SHIPMENT.

○ = DENOTES CONTRACTOR POINT OF CONNECTION

LISTED
PACKAGED PUMPING SYSTEMS
& HEAT TRANSFER SYSTEMS

UL

APPROXIMATE SHIPPING WEIGHT: 1,413 LBS.
APPROXIMATE OPERATING WEIGHT: 1,465 LBS.

THIS DRAWING AND THE INFORMATION DEPICTED THEREIN IS THE PROPERTY OF FLOWTHERM SYSTEMS, A DIVISION OF CHC. COPIES ARE ISSUED IN STRICT CONFIDENCE AND SHALL NOT BE REPRODUCED, COPIED, OR USED AS THE BASIS FOR CONTRACTING OR SALE OF ANY PRODUCT WITHOUT PRIOR WRITTEN PERMISSION OF CHC.

PROJECT NAME: -
CUSTOMER: -
DRAWN BY DATE: - / - / -
ACD 12/27/13
CHECKED BY APPROVED BY: -
TOLERANCES UNLESS OTHERWISE SPECIFIED:
DEC. .500" FRAC. 1/2" ANGLE 5' SCALE 1" = 1'

FlowTherm systems
HAYWARD, CALIFORNIA

DRAWING TITLE: VARIABLE SPEED DUPLEX PRESSURE BOOSTER

DRAWING No. - FAB No. - REV 1