

RELIEF VALVES AND EQUIPMENT DRAINS TO BE PIPIED TO DRAIN OR VENT BY CONTRACTOR PER CODE REQUIREMENT

ALL BOLTING AND ANCHORAGE TO BE IN COMPLIANCE WITH LOCAL CODES AND ANY SEISMIC REQUIREMENTS.

CONSTRUCTION NOTES:

1. SUCTION AND DISCHARGE HEADERS ARE GROOVED ON BOTH ENDS.
2. END CAPS CAN BE PLACED ON EITHER END OF HEADERS.
3. SYSTEM DESIGNED FOR INDOOR INSTALLATION.

- GPM		- PSI		- PSI						
TOTAL FLOW		TOTAL DISCHARGE PRESSURE		AVAILABLE PRESSURE						
TOTAL SYSTEM CAPACITY										
3	P-2	GOULDS	ESV	33SVG-4	-	20	3500	-	-	
2	P-1	GOULDS	ESV	33SVG-4	-	20	3500	-	-	
ITEM	TAG	MANUFACTURER	SERIES	MODEL	GPM	TDH	HP	RPM	VOLTS/HZ/PH	ENCLOSURE

PUMP SCHEDULE

ITEM	QTY	TAG	DESCRIPTION
10	-	-	-
9	-	-	-
8	-	-	-
7	-	-	-
6	-	-	-
5	4	-	LUG TYPE BUTTERFLY VALVE - 2 1/2"
4	2	-	VAL-MATIC GLOBE CHECK VALVE - 2 1/2"
3	1	P-2	GOULDS ESV MULTI-STAGE PUMP MODEL 33SVG-4
2	1	P-1	GOULDS ESV MULTI-STAGE PUMP MODEL 33SVG-4
1	1	-	VARIABLE SPEED PUMP CONTROL PANEL

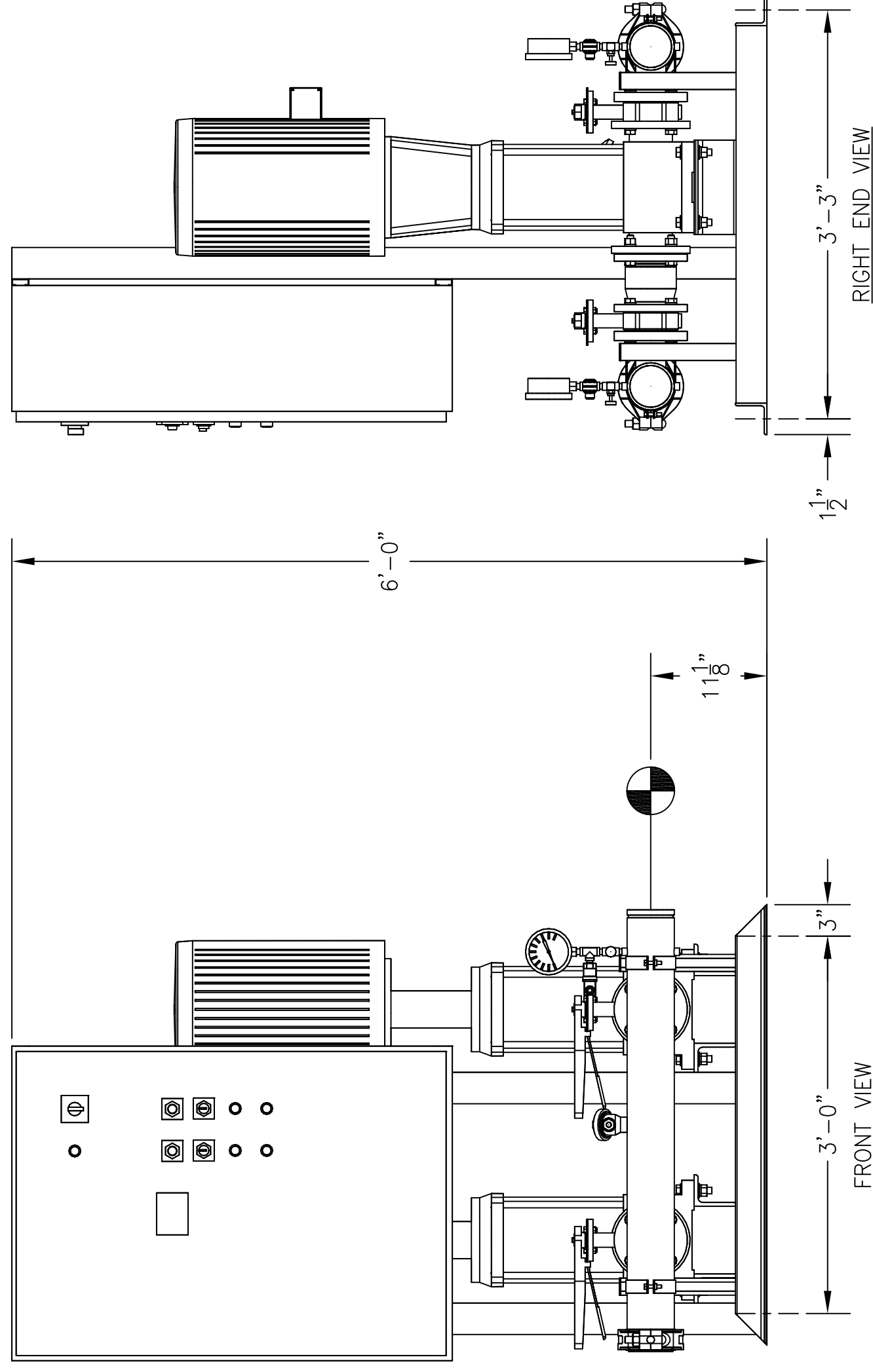
EQUIPMENT SCHEDULE

PROJECT NAME:	CHECKED BY/DATE:	APPROVED BY/DATE:		
-	12/27/13	-		
CUSTOMER:	TOLERANCES UNLESS OTHERWISE SPECIFIED	SCALE		
-	-	1" = 1'		
DEC.	FRAC.	ANGLE	SIZE	C
.500"	1/2"	5'	-	-

GENERAL NOTES:

- (1) SINGLE POINT POWER CONNECTION AT CONTROL PANEL.
- (2) HYDRO PRESSURE CHECK AT 125 PSI.
- (3) ASSEMBLED SYSTEM TO BE PAINTED WITH INDUSTRIAL MACHINE ENAMEL PRIOR TO SHIPMENT.

○ = DENOTES CONTRACTOR POINT OF CONNECTION



PROJECT NAME:

-

CUSTOMER:

-

DRAWN BY/DATE:

12/27/13

CHECKED BY/DATE:

-

APPROVED BY/DATE:

-

TOLERANCES UNLESS OTHERWISE SPECIFIED

-

SCALE

1" = 1'

DEC.

.500"

FRAC.

1/2"

ANGLE

5'

SIZE

-

C

-

DRAWING No.

-

FAB No.

-

DRAWING TITLE:

VARIABLE SPEED DUPLEX PRESSURE BOOSTER

DRAWING No.

-

FAB No.

-

DRAWING TITLE:

VARIABLE SPEED DUPLEX PRESSURE BOOSTER

DRAWING No.

-

FAB No.

-

DRAWING TITLE:

VARIABLE SPEED DUPLEX PRESSURE BOOSTER

DRAWING No.

-

FAB No.

-

DRAWING TITLE:

VARIABLE SPEED DUPLEX PRESSURE BOOSTER

DRAWING No.

-

FAB No.

-

DRAWING TITLE:

VARIABLE SPEED DUPLEX PRESSURE BOOSTER

DRAWING No.

-

FAB No.

-

DRAWING TITLE:

VARIABLE SPEED DUPLEX PRESSURE BOOSTER

DRAWING No.

-

FAB No.

-

DRAWING TITLE:

VARIABLE SPEED DUPLEX PRESSURE BOOSTER

DRAWING No.

-

FAB No.

-

DRAWING TITLE:

VARIABLE SPEED DUPLEX PRESSURE BOOSTER

DRAWING No.

-

FAB No.

-

DRAWING TITLE:

VARIABLE SPEED DUPLEX PRESSURE BOOSTER

DRAWING No.

-

FAB No.

-

DRAWING TITLE:

VARIABLE SPEED DUPLEX PRESSURE BOOSTER

DRAWING No.

-

FAB No.

-

DRAWING TITLE:

VARIABLE SPEED DUPLEX PRESSURE BOOSTER

DRAWING No.

-

FAB No.

-

DRAWING TITLE:

VARIABLE SPEED DUPLEX PRESSURE BOOSTER

DRAWING No.

-

FAB No.

-

DRAWING TITLE:

VARIABLE SPEED DUPLEX PRESSURE BOOSTER

DRAWING No.

-

FAB No.

-

DRAWING TITLE:

VARIABLE SPEED DUPLEX PRESSURE BOOSTER

DRAWING No.

-

FAB No.

-

DRAWING TITLE:

VARIABLE SPEED DUPLEX PRESSURE BOOSTER

DRAWING No.

-

FAB No.

-

DRAWING TITLE:

VARIABLE SPEED DUPLEX PRESSURE BOOSTER

DRAWING No.

-

FAB No.

-

DRAWING TITLE:

VARIABLE SPEED DUPLEX PRESSURE BOOSTER

DRAWING No.

-

FAB No.

-

DRAWING TITLE:

VARIABLE SPEED DUPLEX PRESSURE BOOSTER

DRAWING No.

-

FAB No.

-

DRAWING TITLE:

VARIABLE SPEED DUPLEX PRESSURE BOOSTER

DRAWING No.

-

FAB No.

-

DRAWING TITLE:

VARIABLE SPEED DUPLEX PRESSURE BOOSTER

DRAWING No.

-

FAB No.

-

DRAWING TITLE:

VARIABLE SPEED DUPLEX PRESSURE BOOSTER

DRAWING No.

-

FAB No.

-

DRAWING TITLE:

VARIABLE SPEED DUPLEX PRESSURE BOOSTER

DRAWING No.

-

FAB No.

-

DRAWING TITLE:

VARIABLE SPEED DUPLEX PRESSURE BOOSTER

DRAWING No.

-

FAB No.

-

DRAWING TITLE:

VARIABLE SPEED DUPLEX PRESSURE BOOSTER

DRAWING No.

-

FAB No.

-

DRAWING TITLE:

VARIABLE SPEED DUPLEX PRESSURE BOOSTER

DRAWING No.

-

FAB No.

-

DRAWING TITLE:

VARIABLE SPEED DUPLEX PRESSURE BOOSTER

DRAWING No.

-

FAB No.

-

DRAWING TITLE:

VARIABLE SPEED DUPLEX PRESSURE BOOSTER

DRAWING No.

-

FAB No.

-

DRAWING TITLE:

VARIABLE SPEED DUPLEX PRESSURE BOOSTER

DRAWING No.

-

FAB No.

-

DRAWING TITLE:

VARIABLE SPEED DUPLEX PRESSURE BOOSTER

DRAWING No.

-

FAB No.

-

DRAWING TITLE:

VARIABLE SPEED DUPLEX PRESSURE BOOSTER

DRAWING No.

-

FAB No.

-

DRAWING TITLE:

VARIABLE SPEED DUPLEX PRESSURE BOOSTER

DRAWING No.

-

FAB No.

-

DRAWING TITLE:

VARIABLE SPEED DUPLEX PRESSURE BOOSTER

DRAWING No.

-

FAB No.

-

DRAWING TITLE:

VARIABLE SPEED DUPLEX PRESSURE BOOSTER

DRAWING No.

-

FAB No.

-

DRAWING TITLE:

VARIABLE SPEED DUPLEX PRESSURE BOOSTER

DRAWING No.

-

FAB No.

-

DRAWING TITLE:

VARIABLE SPEED DUPLEX PRESSURE BOOSTER

DRAWING No.

-