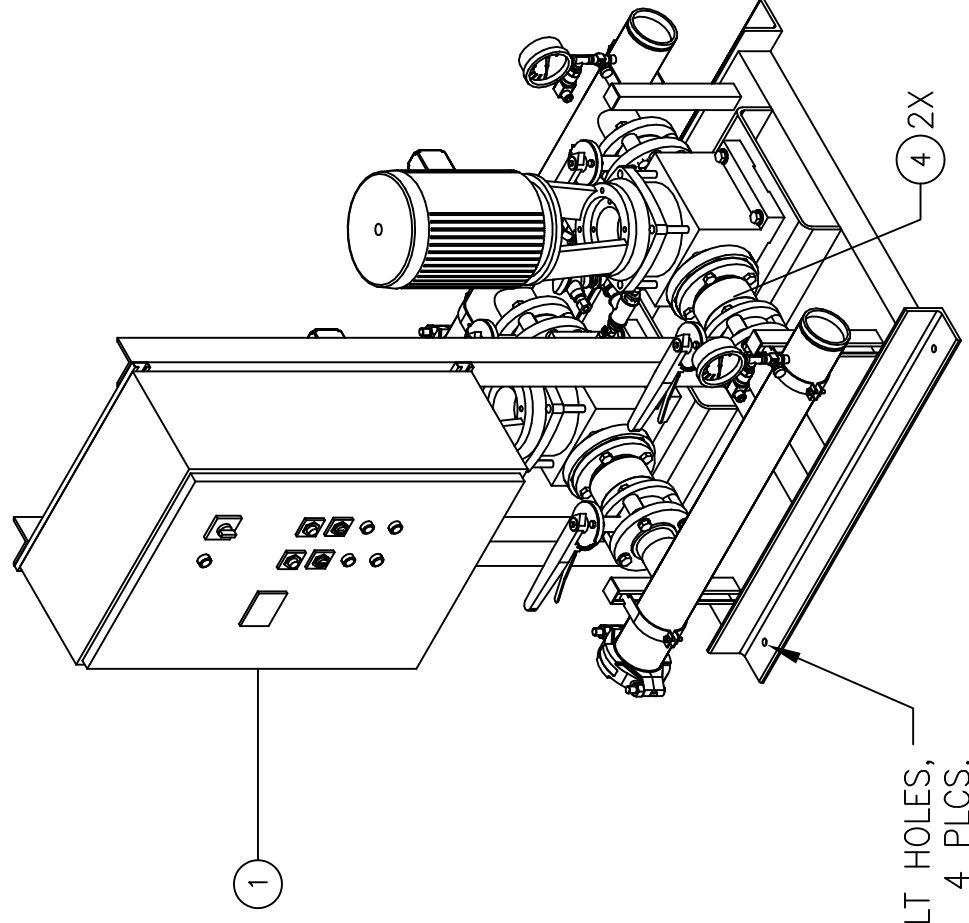
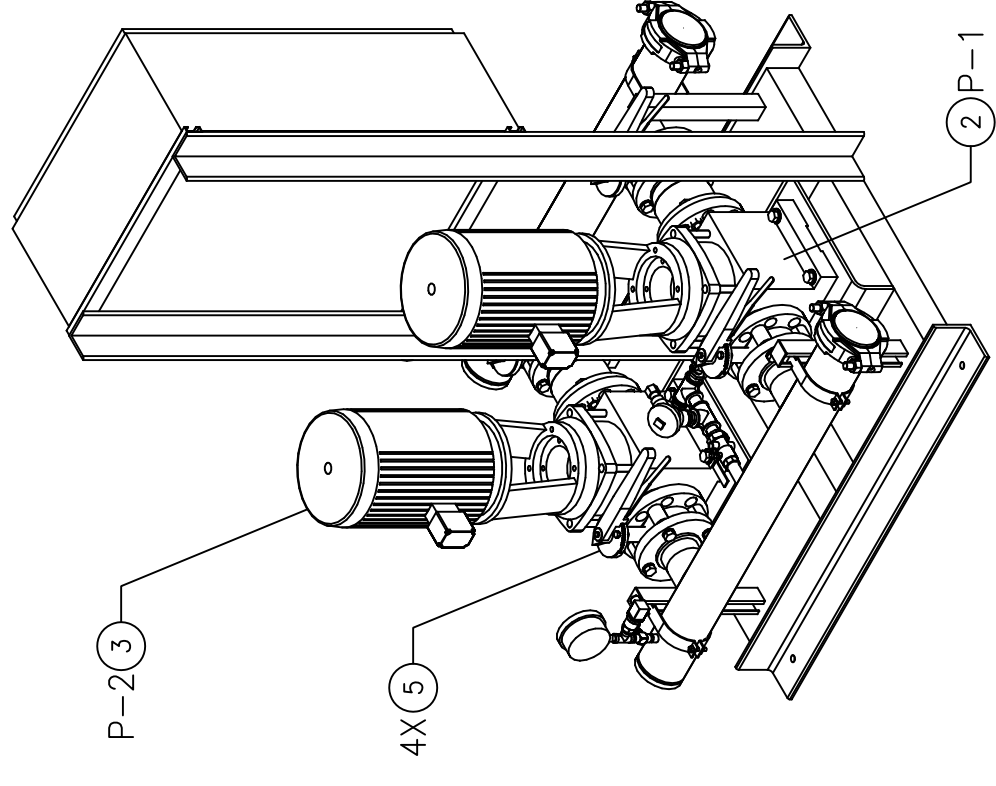
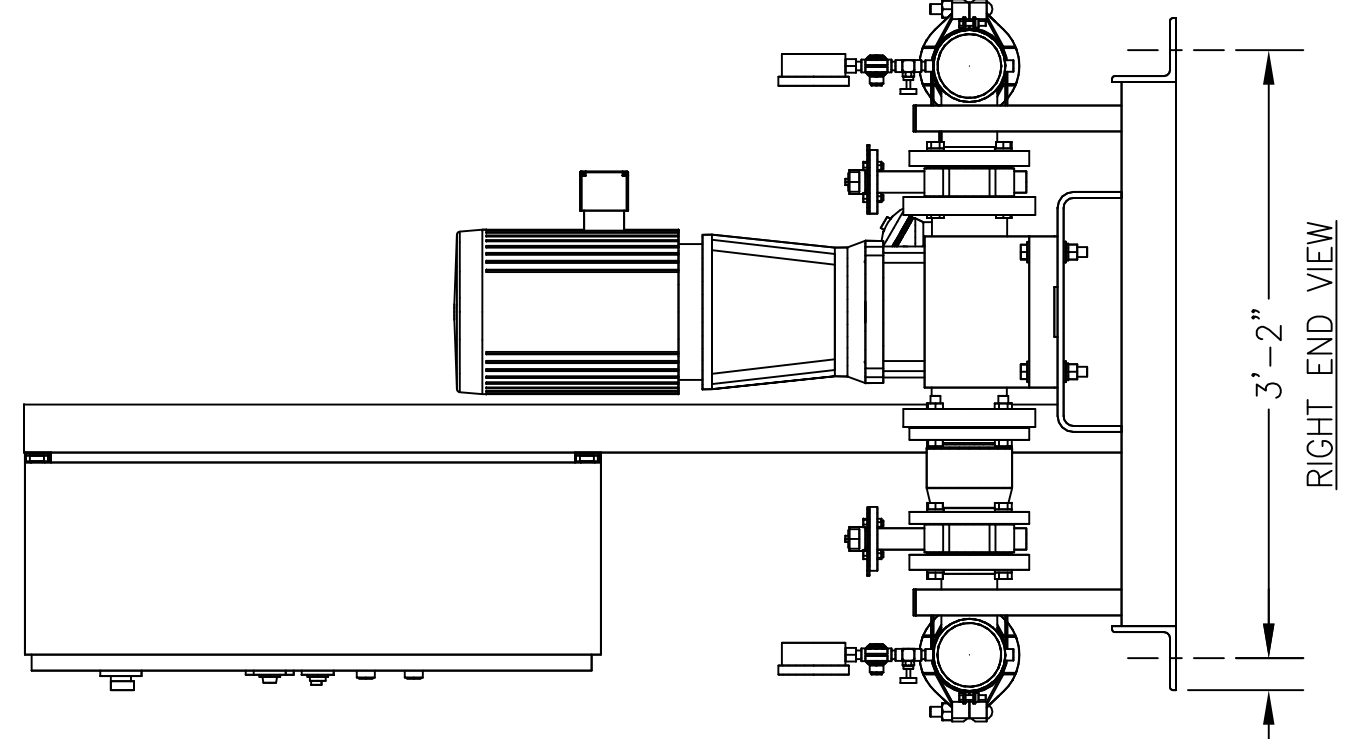
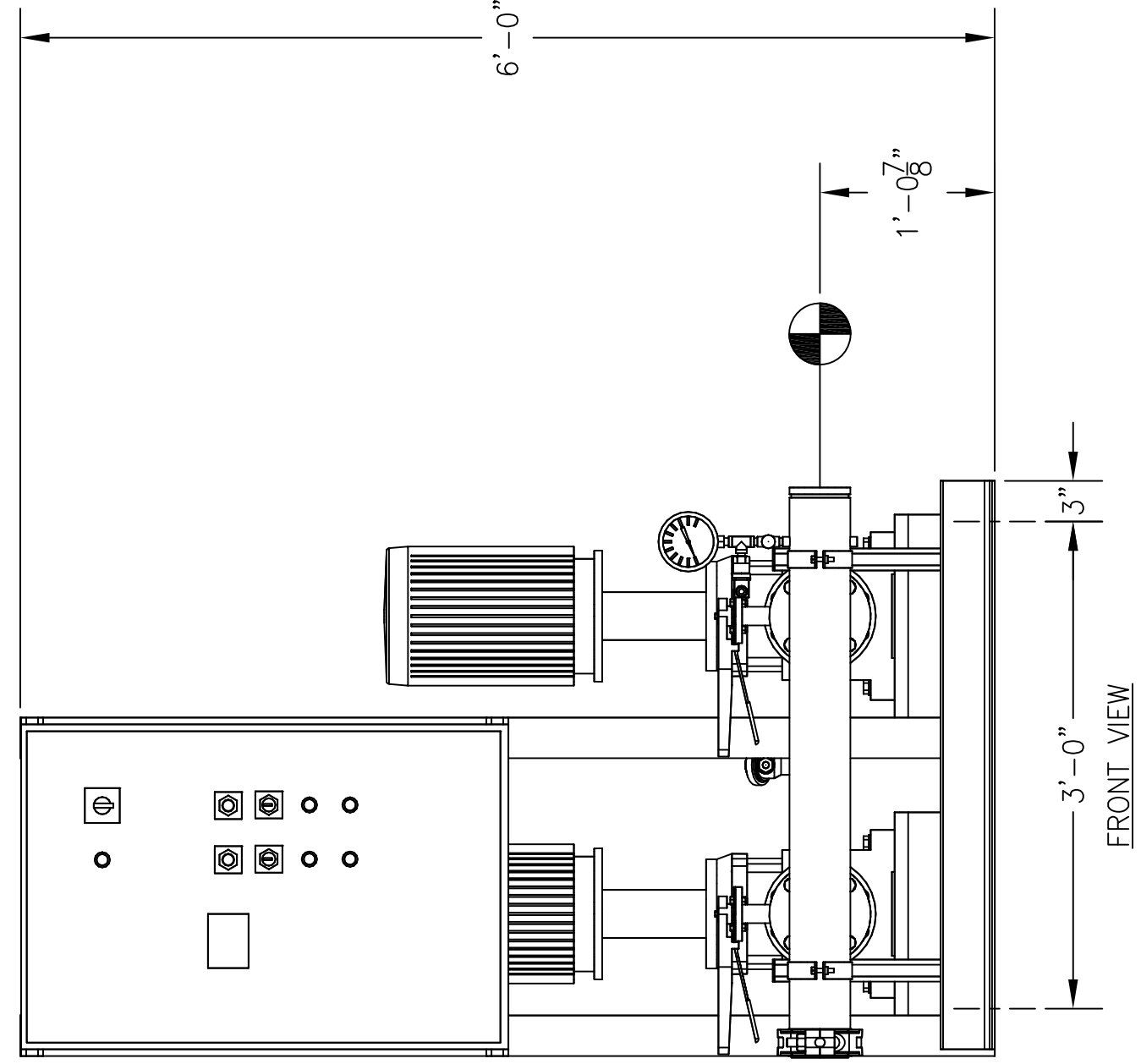


RELIEF VALVES AND EQUIPMENT DRAINS TO BE PIPED TO DRAIN OR VENT BY CONTRACTOR PER CODE REQUIREMENT



ø5/8" BOLT HOLES, 4 PLCS.



CONSTRUCTION NOTES:  
 1. SUCTION AND DISCHARGE HEADERS ARE GROOVED ON BOTH ENDS.  
 2. END CAPS CAN BE PLACED ON EITHER END OF HEADERS.  
 3. SYSTEM DESIGNED FOR INDOOR INSTALLATION.

- GPM		- PSI		- PSI	
TOTAL FLOW		TOTAL DISCHARGE PRESSURE		AVAILABLE PRESSURE	
TOTAL SYSTEM CAPACITY					
3	P-2	GOULDS	ESV 46SVG-1/1	-	7 1/2 3500
2	P-1	GOULDS	ESV 46SVG-1/1	-	7 1/2 3500
ITEM	TAG	MANUFACTURER	SERIES	MODEL	GPM TDH HP RPM VOLTS/HZ/PH ENCLOSURE

PUMP SCHEDULE					
ITEM	QTY	TAG	DESCRIPTION	EQUIPMENT SCHEDULE	
10	-	-	-	-	-
9	-	-	-	-	-
8	-	-	-	-	-
7	-	-	-	-	-
6	-	-	-	-	-
5	4	-	LUG TYPE BUTTERFLY VALVE - 3"	-	-
4	2	-	VAL-MATIC GLOBE CHECK VALVE - 3"	-	-
3	1	P-2	GOULDS ESV MULTISTAGE PUMP MODEL 46SVG-1/1	-	-
2	1	P-1	GOULDS ESV MULTISTAGE PUMP MODEL 46SVG-1/1	-	-
1	1	-	VARIABLE SPEED PUMP CONTROL PANEL	-	-

GENERAL NOTES:  
 (1) SINGLE POINT POWER CONNECTION AT CONTROL PANEL.  
 (2) HYDRO PRESSURE CHECK AT 125 PSI.  
 (3) ASSEMBLED SYSTEM TO BE PAINTED WITH INDUSTRIAL MACHINE ENAMEL PRIOR TO SHIPMENT.

○ = DENOTES CONTRACTOR POINT OF CONNECTION

LISTED  
 PACKAGED PUMPING SYSTEMS  
 & HEAT TRANSFER SYSTEMS

UL

APPROXIMATE SHIPPING WEIGHT: 1,489 LBS.  
 APPROXIMATE OPERATING WEIGHT: 1,549 LBS.

THIS DRAWING AND THE INFORMATION DEPICTED THEREIN IS THE PROPERTY OF FLOWTHERM SYSTEMS, A DIVISION OF CHC. COPIES ARE ISSUED IN STRICT CONFIDENCE AND SHALL NOT BE REPRODUCED, COPIED, OR USED AS THE BASIS FOR CONTRACTING OR SALE OF ANY PRODUCT WITHOUT PRIOR WRITTEN PERMISSION OF CHC.

PROJECT NAME: -  
 CUSTOMER: -  
 DRAWN BY DATE: -  
 AC'D 12/27/13  
 CHECKED BY APPROVED BY: -  
 TOLERANCES UNLESS OTHERWISE SPECIFIED

DEC: .500"  
 FRAC: 1/2"  
 ANGLE: 5'  
 SIZE: C  
 SCALE: 1" = 1'

DRAWING TITLE:  
 70VS-2 VARIABLE SPEED DUPLEX PRESSURE BOOSTER



FAB No. -  
 DRAWING No. -  
 REV 1