

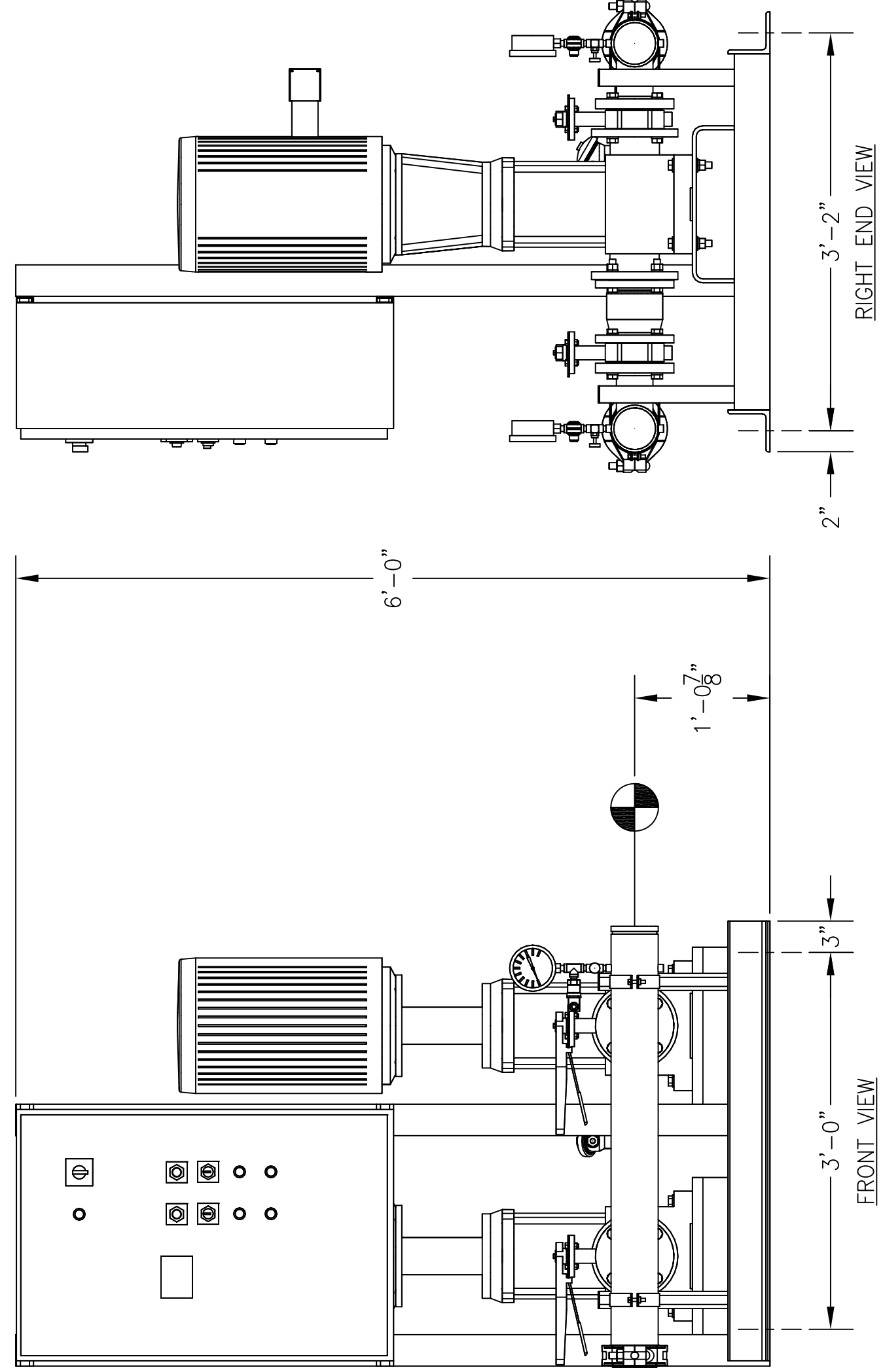
RELIEF VALVES AND EQUIPMENT DRAINS TO BE PIPED TO DRAIN OR VENT BY CONTRACTOR PER CODE REQUIREMENT

ALL BOLTING AND ANCHORAGE TO BE IN COMPLIANCE WITH LOCAL CODES AND ANY SEISMIC REQUIREMENTS.

- CONSTRUCTION NOTES:
1. SUCTION AND DISCHARGE HEADERS ARE GROOVED ON BOTH ENDS.
 2. END CAPS CAN BE PLACED ON EITHER END OF HEADERS.
 3. SYSTEM DESIGNED FOR INDOOR INSTALLATION.

- GPM		- PSI		- PSI						
TOTAL FLOW		TOTAL DISCHARGE PRESSURE		AVAILABLE PRESSURE						
TOTAL SYSTEM CAPACITY										
3	P-2	GOULDS	ESV	46SVG-3	-	25	3500	-	-	
2	P-1	GOULDS	ESV	46SVG-3	-	25	3500	-	-	
ITEM	TAG	MANUFACTURER	SERIES	MODEL	GPM	TDH	HP	RPM	VOLTS/HZ/PH	ENCLOSURE

PUMP SCHEDULE										
ITEM	QTY	TAG	DESCRIPTION							
10	-	-	-							
9	-	-	-							
8	-	-	-							
7	-	-	-							
6	-	-	-							
5	4	-	LUG TYPE BUTTERFLY VALVE - 3"							
4	2	-	VAL-MATIC GLOBE CHECK VALVE - 3"							
3	1	P-2	GOULDS ESV MULTISTAGE PUMP MODEL 46SVG-3							
2	1	P-1	GOULDS ESV MULTISTAGE PUMP MODEL 46SVG-3							
1	1	-	VARIABLE SPEED PUMP CONTROL PANEL							



GENERAL NOTES:

- (1) SINGLE POINT POWER CONNECTION AT CONTROL PANEL.
- (2) HYDRO PRESSURE CHECK AT 125 PSI.
- (3) ASSEMBLED SYSTEM TO BE PAINTED WITH INDUSTRIAL MACHINE ENAMEL PRIOR TO SHIPMENT.

⊕ = DENOTES CONTRACTOR POINT OF CONNECTION

UL LISTED
 PACKAGED PUMPING SYSTEMS
 & HEAT TRANSFER SYSTEMS

APPROXIMATE SHIPPING WEIGHT: 1,863 LBS.
 APPROXIMATE OPERATING WEIGHT: 1,923 LBS.

THIS DRAWING AND THE INFORMATION DEPICTED THEREIN IS THE PROPERTY OF FLOWTHERM SYSTEMS, A DIVISION OF CHC. COPIES ARE ISSUED IN STRICT CONFIDENCE AND SHALL NOT BE REPRODUCED, COPIED, OR USED AS THE BASIS FOR CONTRACTING OR SALE OF ANY PRODUCT WITHOUT PRIOR WRITTEN PERMISSION OF CHC.

PROJECT NAME: -
 CUSTOMER: -
 DRAWN BY DATE: -
 AC'D 12/27/13
 CHECKED BY APPROVED BY
 TOLERANCES UNLESS OTHERWISE SPECIFIED
 DEC. .500" FRAC. 1/2" ANGLE 5' SCALE 1" = 1'

FlowTHERM systems
 HAYWARD, CALIFORNIA

DRAWING TITLE: VARIABLE SPEED DUPLEX PRESSURE BOOSTER
 FAB No. -
 DRAWING No. FMW2-16-FAB
 REV 1