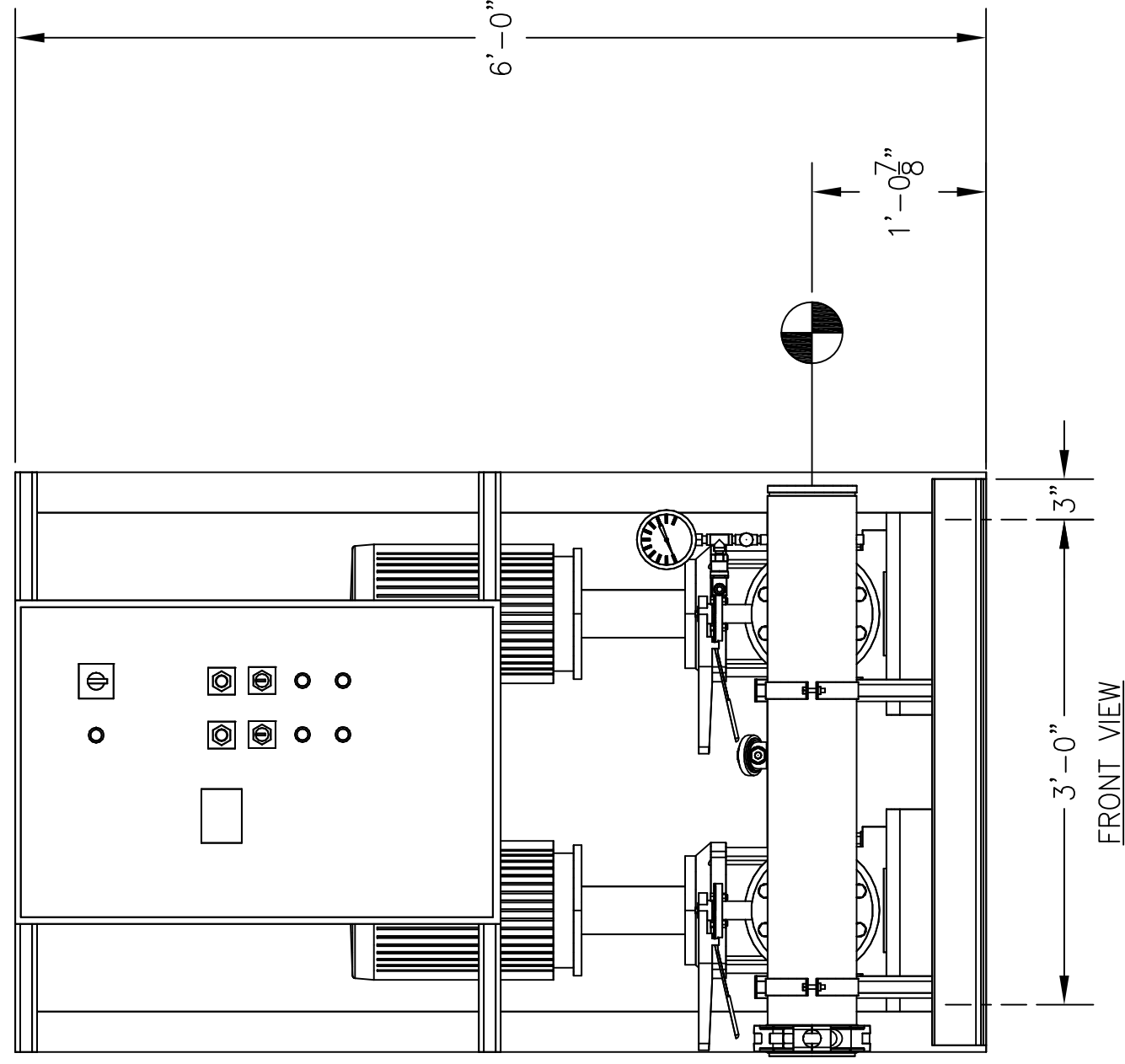
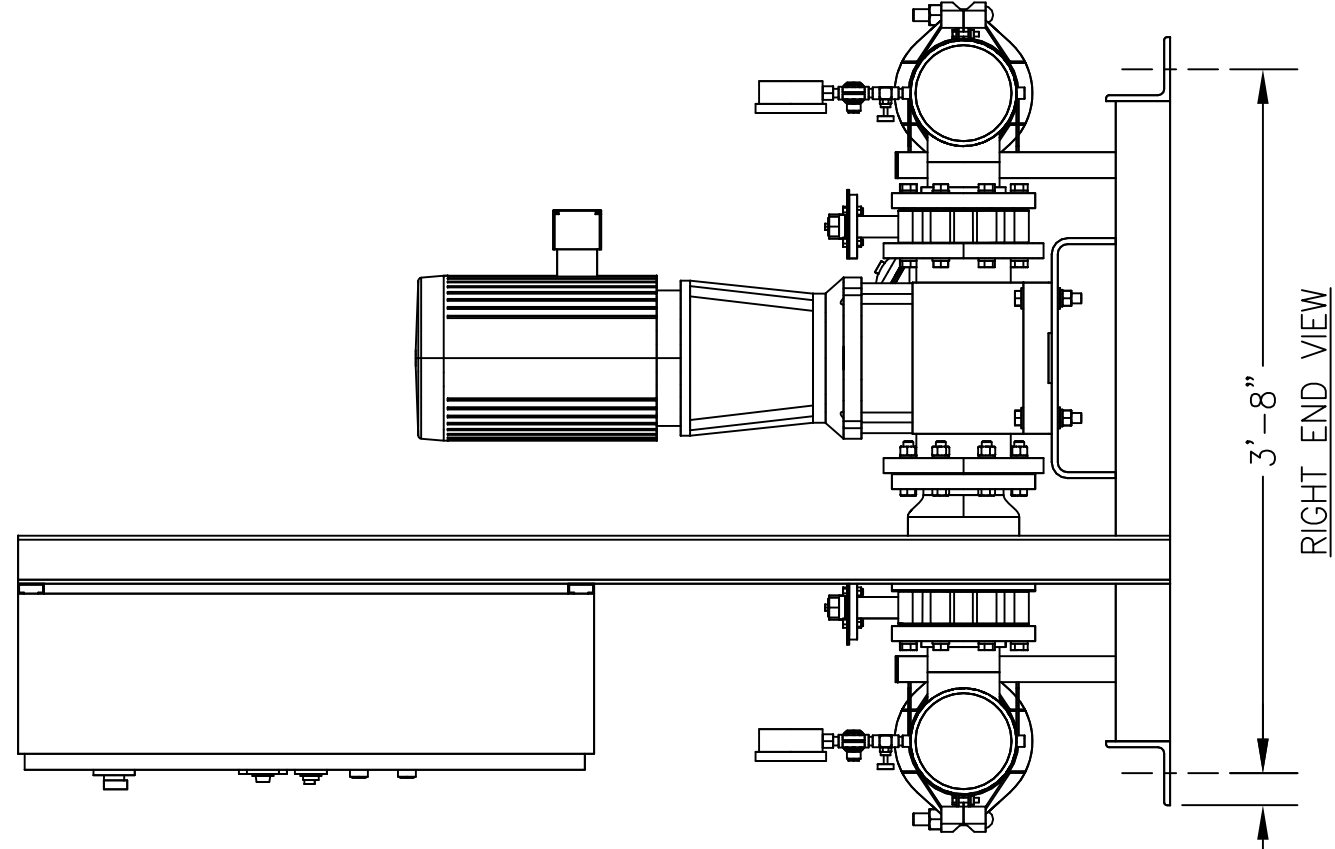


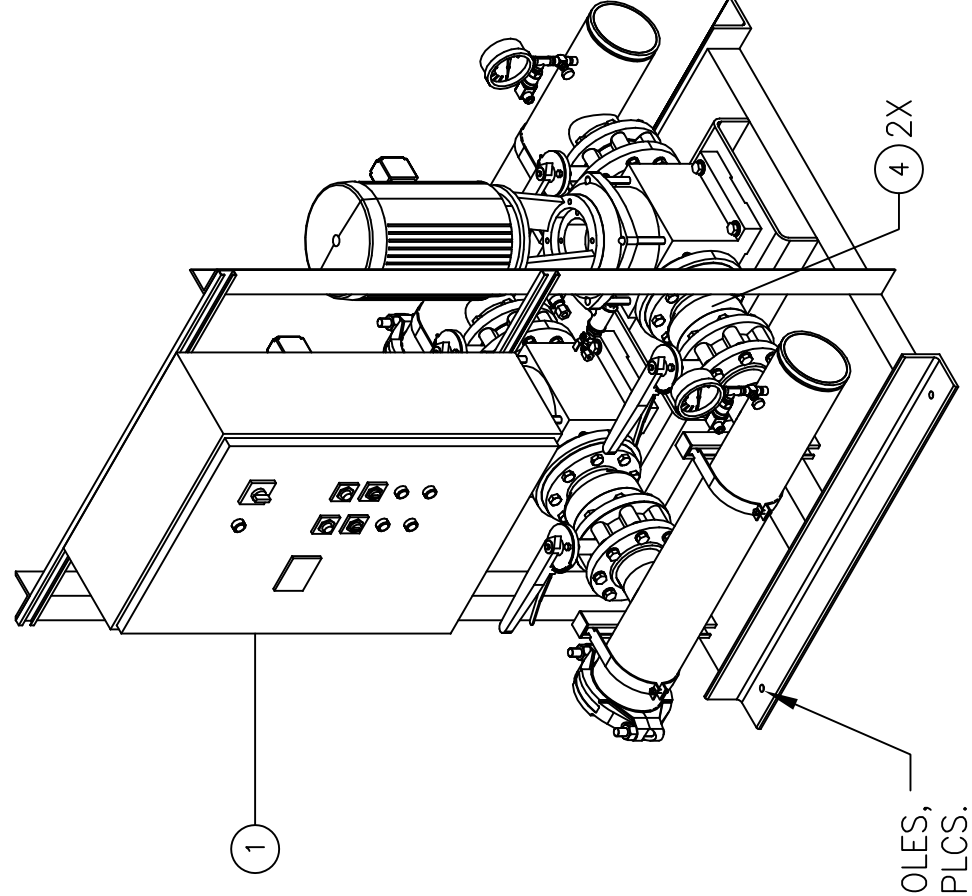
TOP VIEW



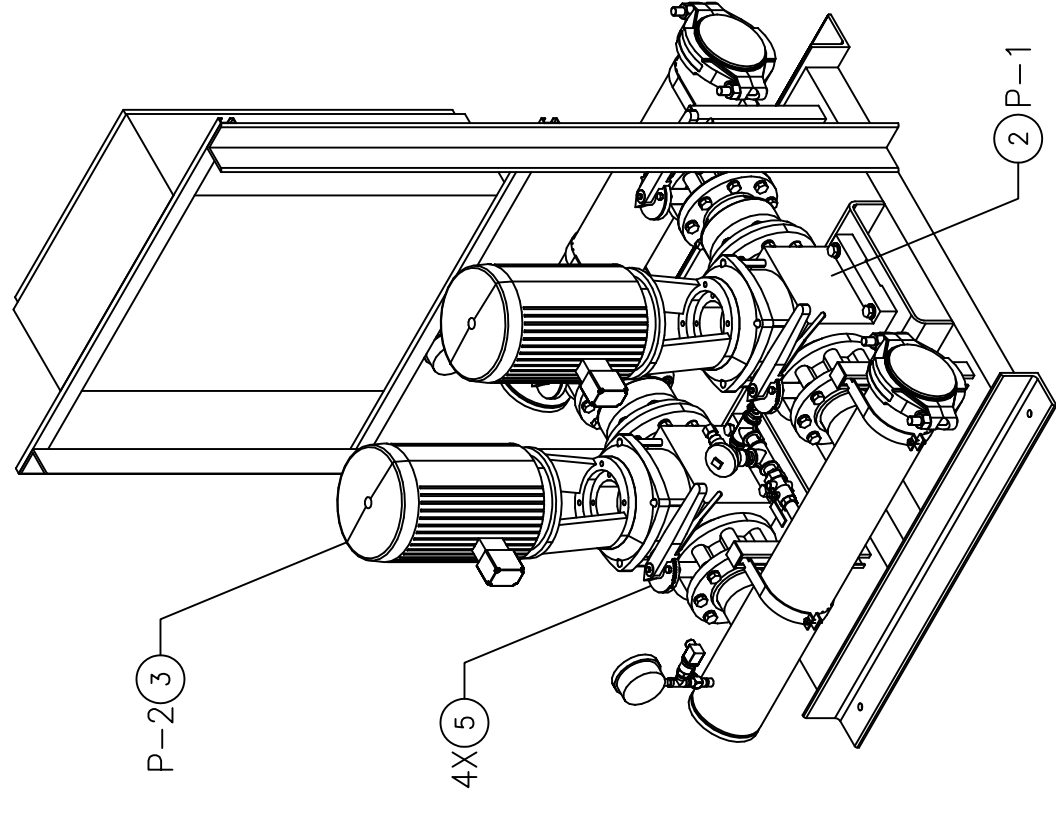
FRONT VIEW



RIGHT END VIEW



4 1/2 X
Ø5/8" BOLT HOLES,
4 PLCS.



RELIEF VALVES AND
EQUIPMENT DRAINS
TO BE PIPED TO DRAIN
OR VENT BY CONTRACTOR
PER CODE REQUIREMENT

ALL BOLTING AND ANCHORAGE
TO BE IN COMPLIANCE WITH
LOCAL CODES AND ANY
SEISMIC REQUIREMENTS.

CONSTRUCTION NOTES:

1. SUCTION AND DISCHARGE HEADERS ARE GROOVED ON BOTH ENDS.
2. END CAPS CAN BE PLACED ON EITHER END OF HEADERS.
3. SYSTEM DESIGNED FOR INDOOR INSTALLATION.

- GPM		- PSI		- PSI					
TOTAL FLOW		TOTAL DISCHARGE PRESSURE		AVAILABLE PRESSURE					
TOTAL SYSTEM CAPACITY									
3	P-2	GOULDS	ESV	66SVG-1/1	-	10	3500	-	-
2	P-1	GOULDS	ESV	66SVG-1/1	-	10	3500	-	-

ITEM	TAG	MANUFACTURER	SERIES	MODEL	GPM	TDH	HP	RPM	VOLTS/HZ/PH	ENCLOSURE
PUMP SCHEDULE										
10	-	-	-	-	-	-	-	-	-	-
9	-	-	-	-	-	-	-	-	-	-
8	-	-	-	-	-	-	-	-	-	-
7	-	-	-	-	-	-	-	-	-	-
6	-	-	-	-	-	-	-	-	-	-
5	4	-	-	LUG TYPE BUTTERFLY VALVE	-	4"	-	-	-	-
4	2	-	-	VAL-MATIC GLOBE CHECK VALVE	-	4"	-	-	-	-
3	1	P-2	-	GOULDS ESV MULTISTAGE PUMP MODEL	66SVG-1/1	-	-	-	-	-
2	1	P-1	-	GOULDS ESV MULTISTAGE PUMP MODEL	66SVG-1/1	-	-	-	-	-
1	1	-	-	VARIABLE SPEED PUMP CONTROL PANEL	-	-	-	-	-	-

ITEM	QTY	TAG	DESCRIPTION
EQUIPMENT SCHEDULE			
10	-	-	-
9	-	-	-
8	-	-	-
7	-	-	-
6	-	-	-
5	4	-	LUG TYPE BUTTERFLY VALVE - 4"
4	2	-	VAL-MATIC GLOBE CHECK VALVE - 4"
3	1	P-2	GOULDS ESV MULTISTAGE PUMP MODEL 66SVG-1/1
2	1	P-1	GOULDS ESV MULTISTAGE PUMP MODEL 66SVG-1/1
1	1	-	VARIABLE SPEED PUMP CONTROL PANEL

GENERAL NOTES:

- (1) SINGLE POINT POWER CONNECTION AT CONTROL PANEL.
- (2) HYDRO PRESSURE CHECK AT 125 PSI.
- (3) ASSEMBLED SYSTEM TO BE PAINTED WITH INDUSTRIAL MACHINE ENAMEL PRIOR TO SHIPMENT.



= DENOTES CONTRACTOR POINT OF CONNECTION SHIPMENT.

THIS DRAWING AND THE INFORMATION DEPICTED THEREIN IS THE PROPERTY OF FLOWTHERM SYSTEMS, A DIVISION OF CHC. COPIES ARE ISSUED IN STRICT CONFIDENCE AND SHALL NOT BE REPRODUCED, COPIED, OR USED AS THE BASIS FOR CONTRACTING OR SALE OF ANY PRODUCT WITHOUT PRIOR WRITTEN PERMISSION OF CHC.

UL LISTED
PACKAGED PUMPING SYSTEMS
& HEAT TRANSFER SYSTEMS

APPROXIMATE SHIPPING WEIGHT: 1,995 LBS.
APPROXIMATE OPERATING WEIGHT: 2,122 LBS.

PROJECT NAME:
CUSTOMER:

DRAWN BY DATE: 12/27/13
CHECKED BY APPROVED BY:

TOLERANCES UNLESS OTHERWISE SPECIFIED
DEC: .500" FRAC: 1/2" ANGLE: 5' SCALE: 1" = 1'

DRAWING TITLE:

VARIABLE SPEED DUPLEX PRESSURE BOOSTER

FlowTHERM
systems
HAYWARD, CALIFORNIA

FAB No. -
DRAWING No. -
REV 1