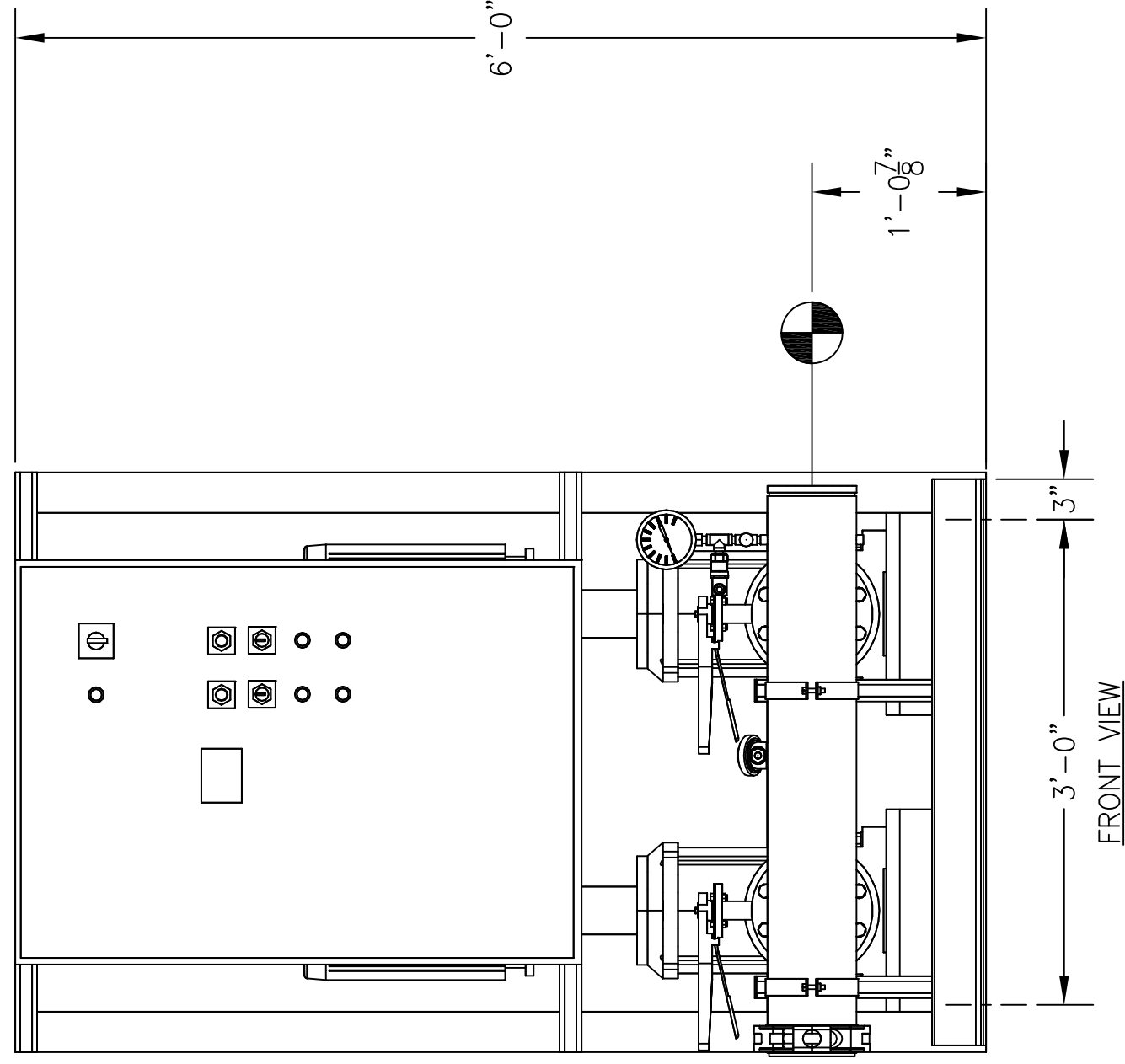
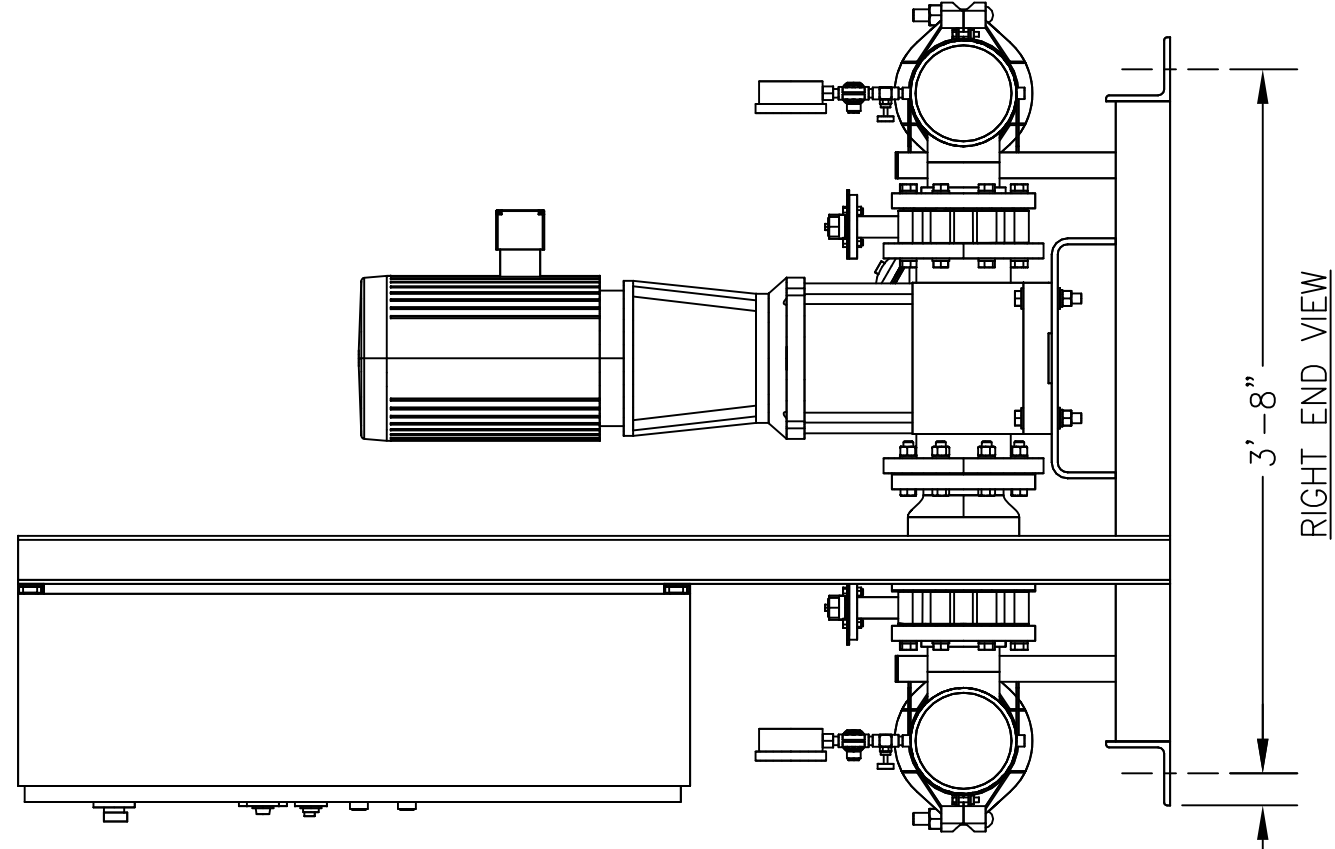


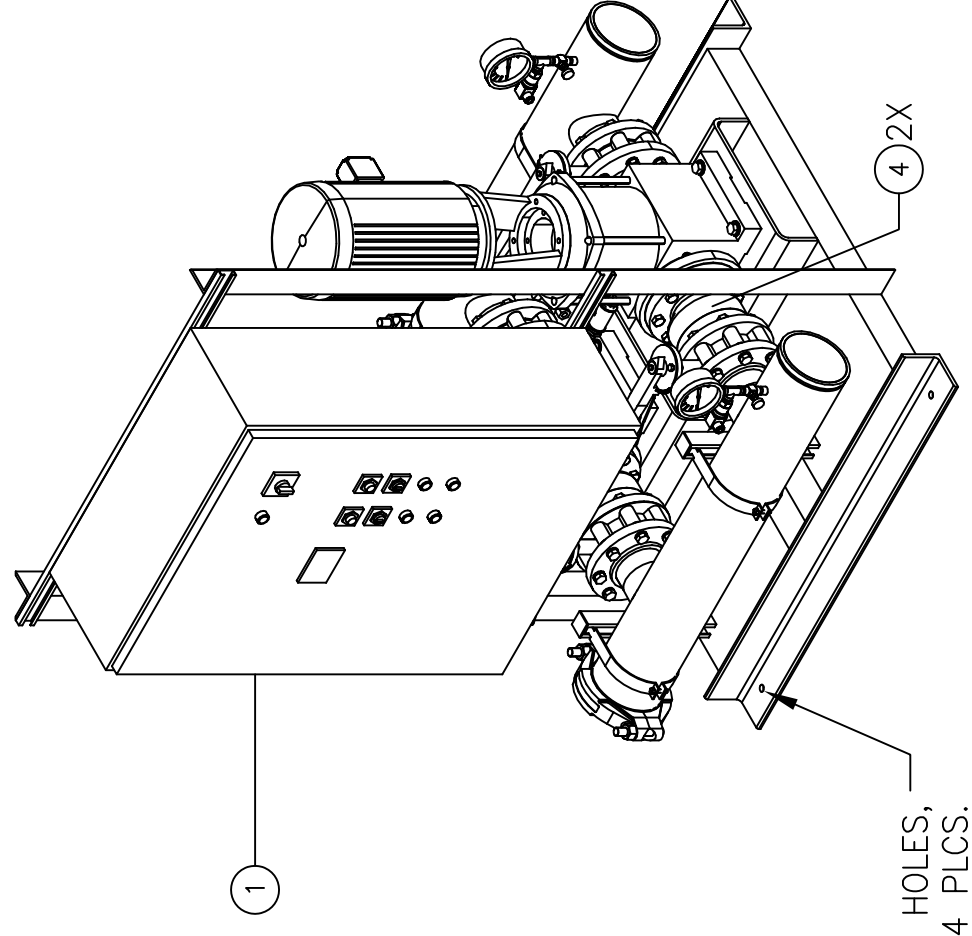
TOP VIEW



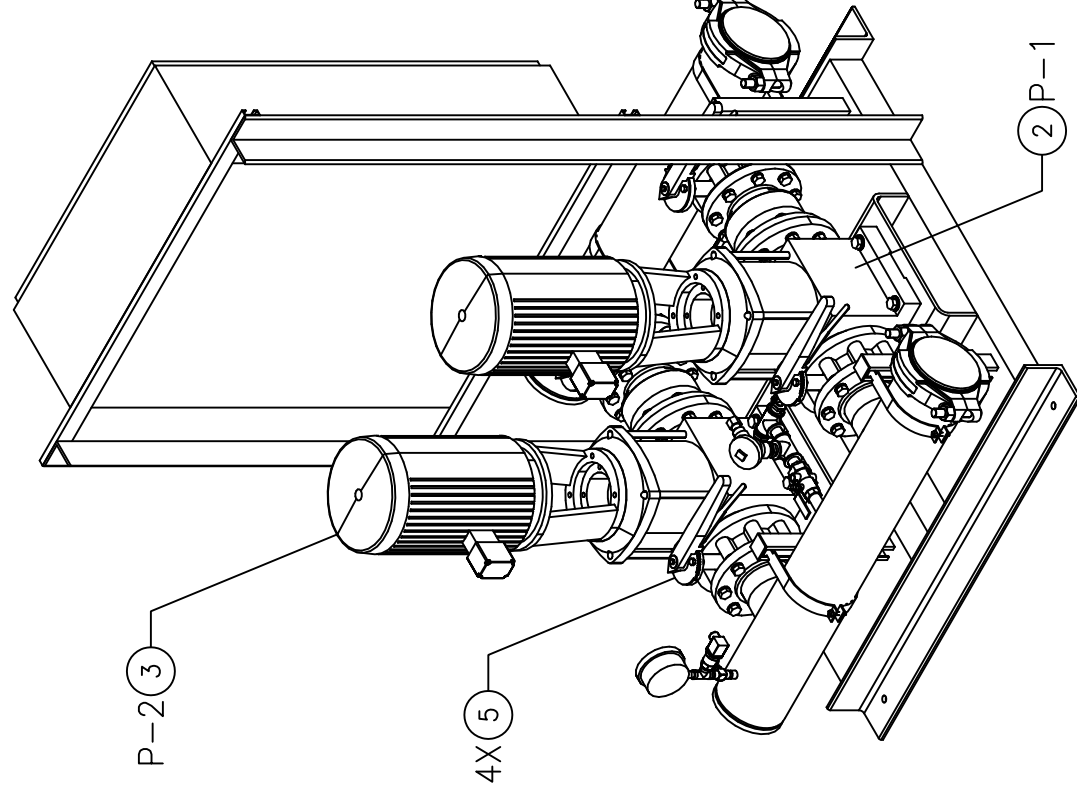
FRONT VIEW



RIGHT END VIEW



Ø5/8" HOLES,  
4 PLCS.



RELIEF VALVES AND  
EQUIPMENT DRAINS  
TO BE PIPTED TO DRAIN  
OR VENT BY CONTRACTOR  
PER CODE REQUIREMENT

ALL BOLTING AND ANCHORAGE  
TO BE IN COMPLIANCE WITH  
LOCAL CODES AND ANY  
SEISMIC REQUIREMENTS.

CONSTRUCTION NOTES:

1. SUCTION AND DISCHARGE HEADERS ARE GROOVED ON BOTH ENDS.
2. END CAPS CAN BE PLACED ON EITHER END OF HEADERS.
3. SYSTEM DESIGNED FOR INDOOR INSTALLATION.

- GPM		- PSI		- PSI						
TOTAL FLOW		TOTAL DISCHARGE PRESSURE		AVAILABLE PRESSURE						
TOTAL SYSTEM CAPACITY										
3	P-2	GOULDS	ESV	66SVG-2/1	-	20	3500	-	-	
2	P-1	GOULDS	ESV	66SVG-2/1	-	20	3500	-	-	
ITEM	TAG	MANUFACTURER	SERIES	MODEL	GPM	TDH	HP	RPM	VOLTS/HZ/PH	ENCLOSURE

PUMP SCHEDULE

ITEM	QTY	TAG	DESCRIPTION
10	-	-	-
9	-	-	-
8	-	-	-
7	-	-	-
6	-	-	-
5	4	-	LUG TYPE BUTTERFLY VALVE - 4"
4	2	-	VAL-MATIC GLOBE CHECK VALVE - 4"
3	1	P-2	GOULDS ESV MULTISTAGE PUMP MODEL 66SVG-2/1
2	1	P-1	GOULDS ESV MULTISTAGE PUMP MODEL 66SVG-2/1
1	1	-	VARIABLE SPEED PUMP CONTROL PANEL

EQUIPMENT SCHEDULE

THIS DRAWING AND THE INFORMATION DEPICTED THEREIN IS THE PROPERTY OF FLOWTHERM SYSTEMS, A DIVISION OF CHC. COPIES ARE ISSUED IN STRICT CONFIDENCE AND SHALL NOT BE REPRODUCED, COPIED, OR SOLE AS THE BASIS FOR CONTRACTING OR SALE OF PRODUCT WITHOUT PRIOR WRITTEN PERMISSION OF CHC.

**UL LISTED**  
PACKAGED PUMPING SYSTEMS & HEAT TRANSFER SYSTEMS

APPROXIMATE SHIPPING WEIGHT: 2,085 LBS.  
APPROXIMATE OPERATING WEIGHT: 2,212 LBS.

GENERAL NOTES:  
 (1) SINGLE POINT POWER CONNECTION AT CONTROL PANEL.  
 (2) HYDRO PRESSURE CHECK AT 125 PSI.  
 (3) ASSEMBLED SYSTEM TO BE PAINTED WITH INDUSTRIAL MACHINE ENAMEL PRIOR TO SHIPMENT.

PROJECT NAME: -  
 CUSTOMER: -  
 DRAWN BY DATE: - / - / -  
 CHECKED BY APPROVED BY: - / - / -  
 TOLERANCES UNLESS OTHERWISE SPECIFIED:  
 DEC. .500"    FRAC. 1/2"    ANGLE 5'    SCALE 1" = 1'

FLOWTHERM systems  
HAYWARD, CALIFORNIA

DRAWING TITLE: VARIABLE SPEED DUPLEX PRESSURE BOOSTER  
 FAB No. -    DRAWING No. -    REV 1  
 FW2-18-FAB