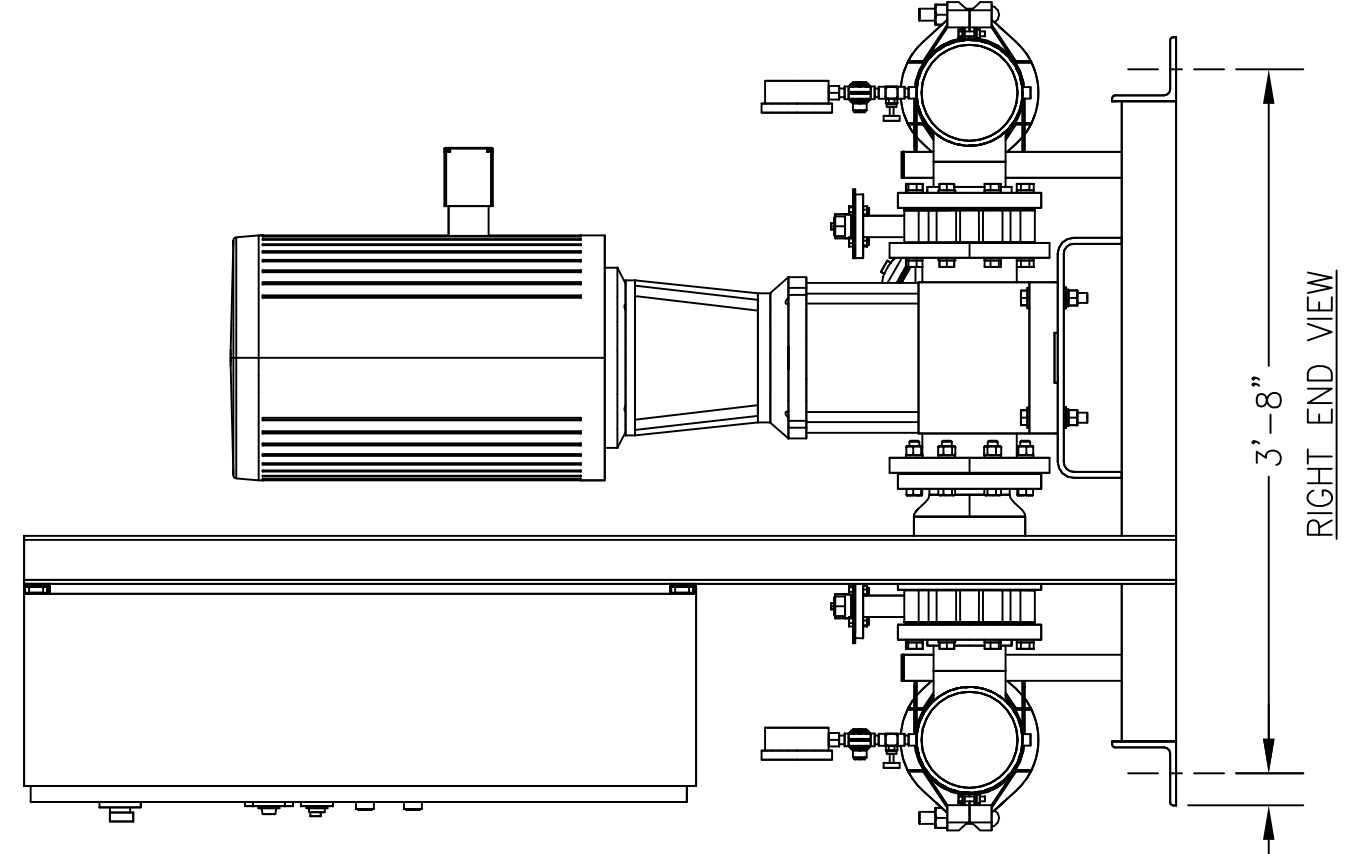
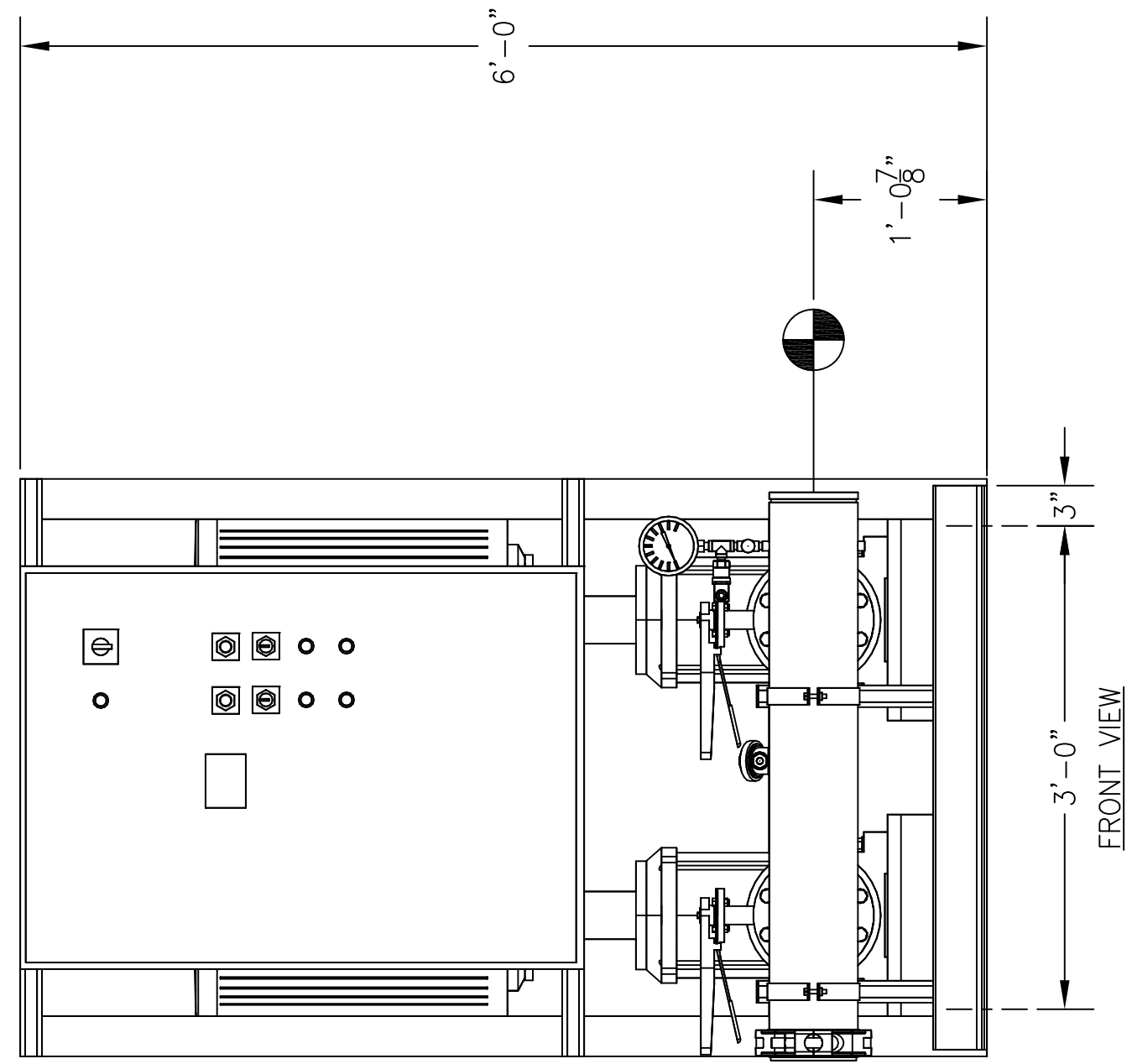


RELIEF VALVES AND EQUIPMENT DRAINS TO BE PIPED TO DRAIN OR VENT BY CONTRACTOR PER CODE REQUIREMENT

ALL BOLTING AND ANCHORAGE TO BE IN COMPLIANCE WITH LOCAL CODES AND ANY SEISMIC REQUIREMENTS.



- CONSTRUCTION NOTES:
- SUCTION AND DISCHARGE HEADERS ARE GROOVED ON BOTH ENDS.
  - END CAPS CAN BE PLACED ON EITHER END OF HEADERS.
  - SYSTEM DESIGNED FOR INDOOR INSTALLATION.

- GPM	- PSI	- PSI	- PSI
TOTAL FLOW	TOTAL DISCHARGE PRESSURE	TOTAL SYSTEM CAPACITY	AVAILABLE PRESSURE

ITEM	TAG	MANUFACTURER	SERIES	MODEL	GPM	TDH	HP	RPM	VOLTS/HZ/PH	ENCLOSURE
3	P-2	GOULDS	66SVG-2	ESV	25	3500	-	-	-	-
2	P-1	GOULDS	66SVG-2	ESV	25	3500	-	-	-	-

ITEM	QTY	TAG	DESCRIPTION
10	-	-	-
9	-	-	-
8	-	-	-
7	-	-	-
6	-	-	-
5	4	-	LUG TYPE BUTTERFLY VALVE - 4"
4	2	-	VAL-MATIC GLOBE CHECK VALVE - 4"
3	1	P-2	GOULDS ESV MULTISTAGE PUMP MODEL 66SVG-2
2	1	P-1	GOULDS ESV MULTISTAGE PUMP MODEL 66SVG-2
1	1	-	VARIABLE SPEED PUMP CONTROL PANEL

GENERAL NOTES:

- SINGLE POINT POWER CONNECTION AT CONTROL PANEL.
- HYDRO PRESSURE CHECK AT 125 PSI.
- ASSEMBLED SYSTEM TO BE PAINTED WITH INDUSTRIAL MACHINE ENAMEL PRIOR TO SHIPMENT.

UL LISTED PACKAGED PUMPING SYSTEMS & HEAT TRANSFER SYSTEMS

APPROXIMATE SHIPPING WEIGHT: 2,424 LBS.  
APPROXIMATE OPERATING WEIGHT: 2,551 LBS.

THIS DRAWING AND THE INFORMATION DEPICTED THEREIN IS THE PROPERTY OF FLOWTHERM SYSTEMS, A DIVISION OF CHC. COPIES ARE ISSUED IN STRICT CONFIDENCE AND SHALL NOT BE REPRODUCED, COPIED, OR SOLE AS THE BASIS FOR CONTRACTING OR SALE OF PRODUCT WITHOUT PRIOR WRITTEN PERMISSION OF CHC.

PROJECT NAME: -  
CUSTOMER: -  
DRAWN BY DATE: - / - / -  
CHECKED BY: - / - / -  
TOLERANCES UNLESS OTHERWISE SPECIFIED:  
DEC: .500"  
FRAC: 1/2"  
ANGLE: 5'  
SCALE: 1" = 1'

FlowTHERM systems HAYWARD, CALIFORNIA

DRAWING TITLE: VARIABLE SPEED DUPLEX PRESSURE BOOSTER

DRAWING No. -  
FAB No. -  
REV 1