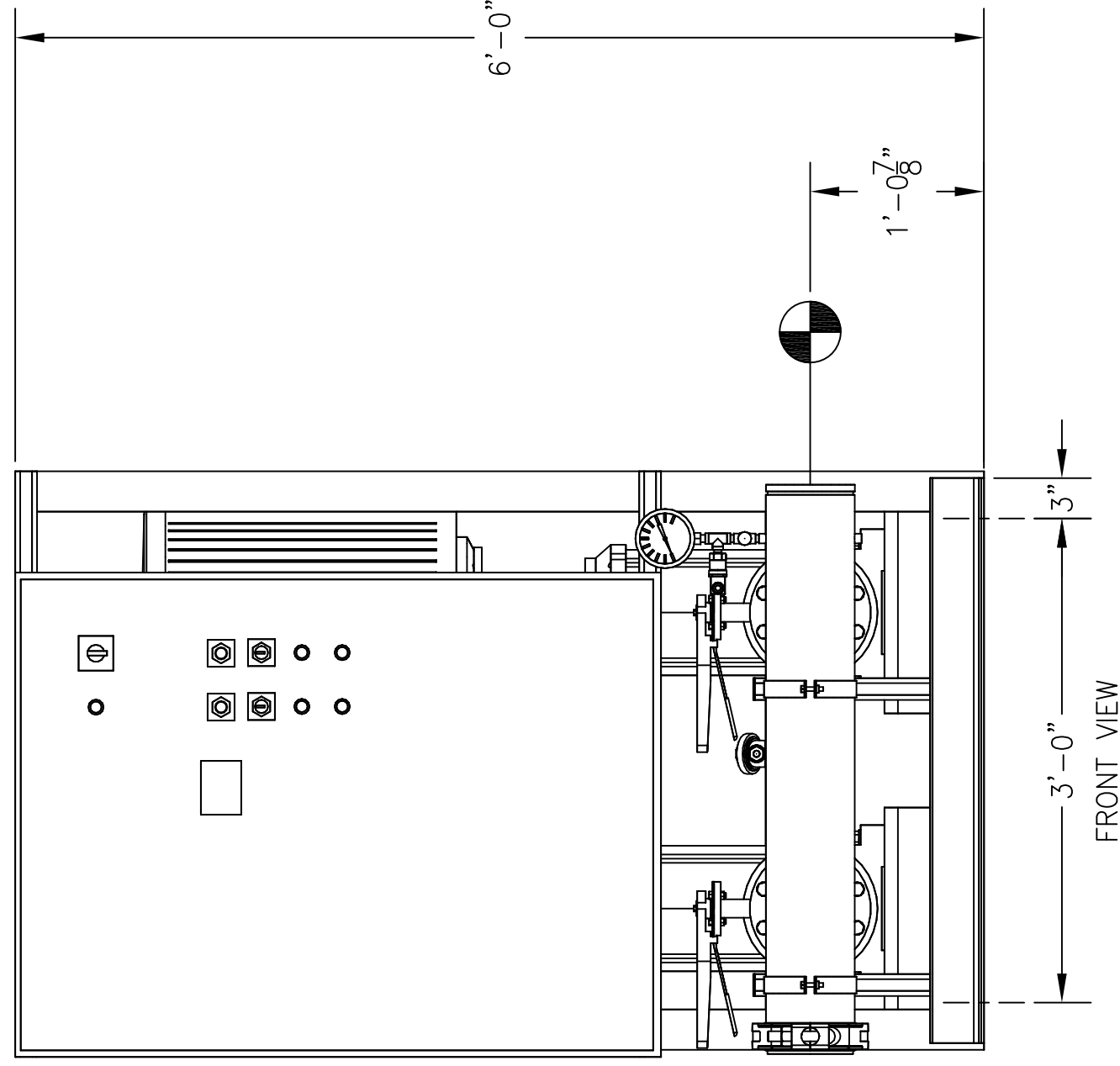
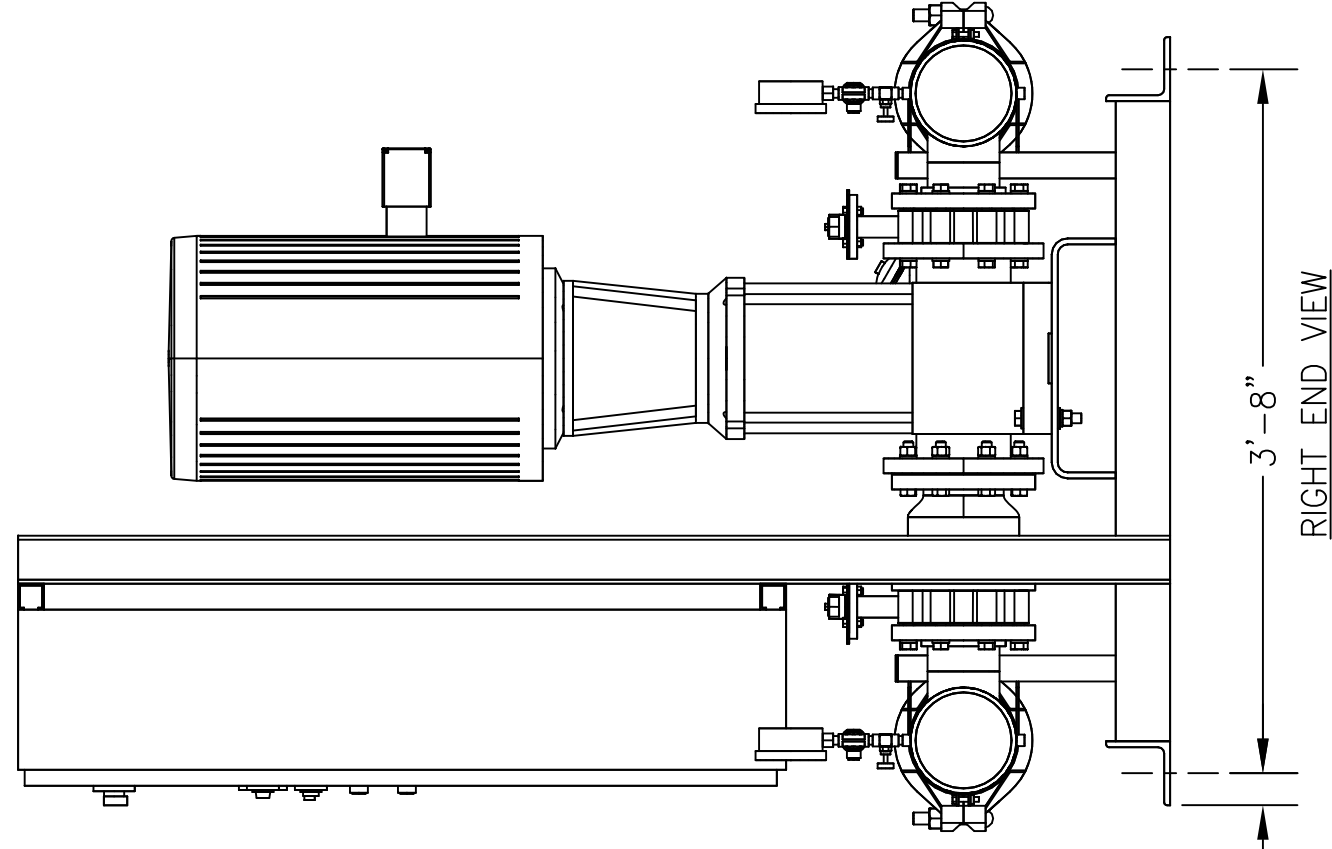


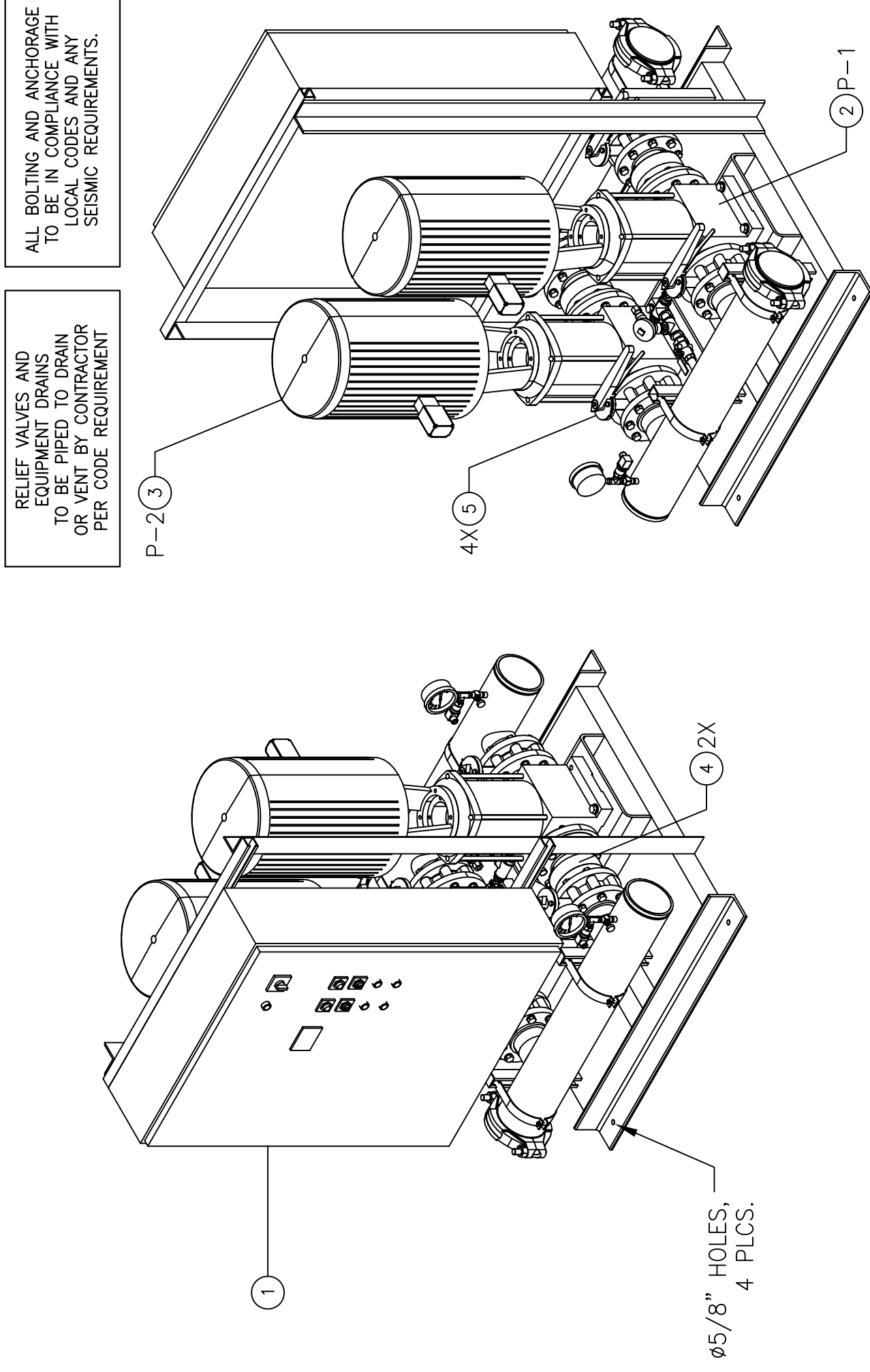
TOP VIEW



FRONT VIEW



RIGHT END VIEW



ø5/8" HOLES,  
4 PLCS.

CONSTRUCTION NOTES:

1. SUCTION AND DISCHARGE HEADERS ARE GROOVED ON BOTH ENDS.
2. END CAPS CAN BE PLACED ON EITHER END OF HEADERS.
3. SYSTEM DESIGNED FOR INDOOR INSTALLATION.

- GPM		- PSI		- PSI					
TOTAL FLOW		TOTAL DISCHARGE PRESSURE		AVAILABLE PRESSURE					
TOTAL SYSTEM CAPACITY									
3	P-2	GOULDS	ESV	66SVG-3/2	-	30	3500	-	-
2	P-1	GOULDS	ESV	66SVG-3/2	-	30	3500	-	-

ITEM	TAG	MANUFACTURER	SERIES	MODEL	GPM	TDH	HP	RPM	VOLTS/HZ/PH	ENCLOSURE
PUMP SCHEDULE										
10	-	-	-	-	-	-	-	-	-	-
9	-	-	-	-	-	-	-	-	-	-
8	-	-	-	-	-	-	-	-	-	-
7	-	-	-	-	-	-	-	-	-	-
6	-	-	-	-	-	-	-	-	-	-
5	4	-	-	LUG TYPE BUTTERFLY VALVE	-	4"	-	-	-	-
4	2	-	-	VAL-MATIC GLOBE CHECK VALVE	-	4"	-	-	-	-
3	1	P-2	-	GOULDS ESV MULTISTAGE PUMP MODEL	66SVG-3/2	-	-	-	-	-
2	1	P-1	-	GOULDS ESV MULTISTAGE PUMP MODEL	66SVG-3/2	-	-	-	-	-
1	1	-	-	VARIABLE SPEED PUMP CONTROL PANEL	-	-	-	-	-	-

EQUIPMENT SCHEDULE

ITEM	QTY	TAG	DESCRIPTION
10	-	-	-
9	-	-	-
8	-	-	-
7	-	-	-
6	-	-	-
5	4	-	LUG TYPE BUTTERFLY VALVE - 4"
4	2	-	VAL-MATIC GLOBE CHECK VALVE - 4"
3	1	P-2	GOULDS ESV MULTISTAGE PUMP MODEL 66SVG-3/2
2	1	P-1	GOULDS ESV MULTISTAGE PUMP MODEL 66SVG-3/2
1	1	-	VARIABLE SPEED PUMP CONTROL PANEL

GENERAL NOTES:

- (1) SINGLE POINT POWER CONNECTION AT CONTROL PANEL.
- (2) HYDRO PRESSURE CHECK AT 125 PSI.
- (3) ASSEMBLED SYSTEM TO BE PAINTED WITH INDUSTRIAL MACHINE ENAMEL PRIOR TO SHIPMENT.



= DENOTES CONTRACTOR POINT OF CONNECTION SHIPMENT.

THIS DRAWING AND THE INFORMATION DEPICTED THEREIN IS THE PROPERTY OF FLOWTHERM SYSTEMS, A DIVISION OF CHC. COPIES ARE ISSUED IN STRICT CONFIDENCE AND SHALL NOT BE REPRODUCED, COPIED, OR SOLE AS THE BASIS FOR CONTRACTING OR SALE OF ANY PRODUCT WITHOUT PRIOR WRITTEN PERMISSION OF CHC.

**UL LISTED**  
PACKAGED PUMPING SYSTEMS  
& HEAT TRANSFER SYSTEMS

APPROXIMATE SHIPPING WEIGHT: 2,507 LBS.  
APPROXIMATE OPERATING WEIGHT: 2,635 LBS.

PROJECT NAME:

-

CUSTOMER:

-

DRAWN BY DATE: 12/27/13 CHECKED BY APPROVED BY

TOLERANCES UNLESS OTHERWISE SPECIFIED

DEC: .500" FRAC: 1/2" ANGLE: 5' SCALE: 1" = 1'

**FlowTHERM systems**  
HAYWARD, CALIFORNIA

DRAWING TITLE:

VARIABLE SPEED DUPLEX PRESSURE BOOSTER

FAB No. - DRAWING No. - REV 1

FW2-20-FAB