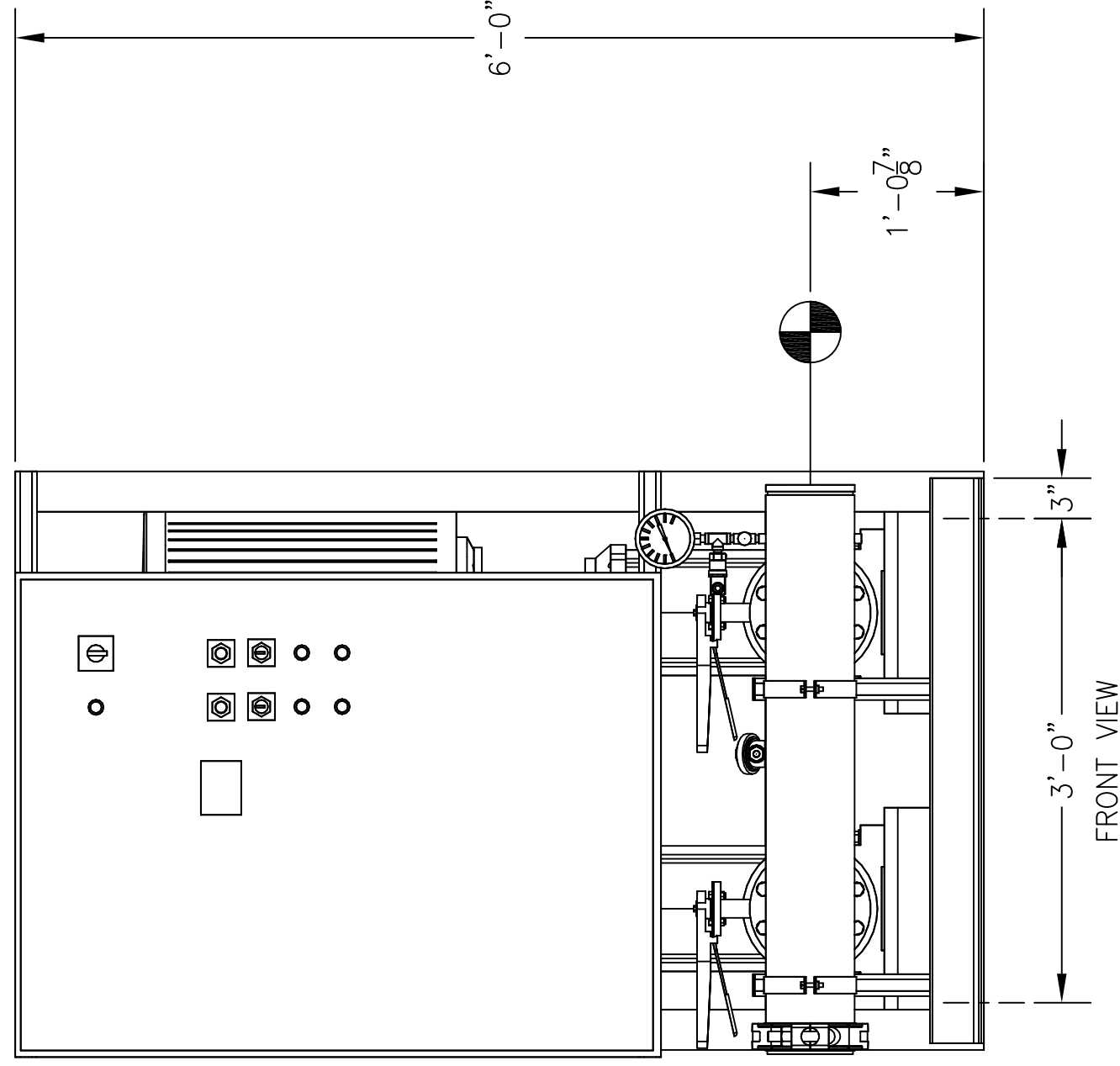
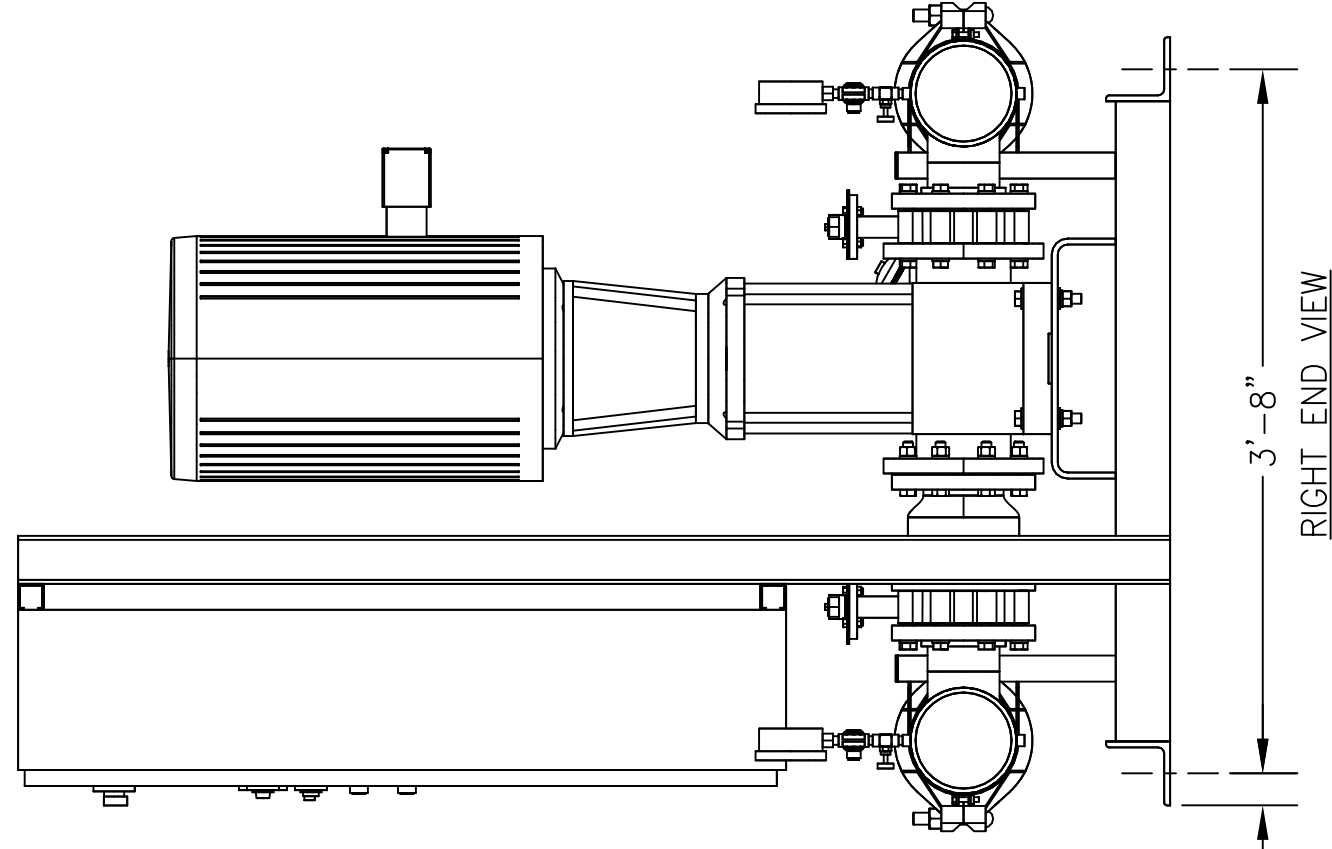


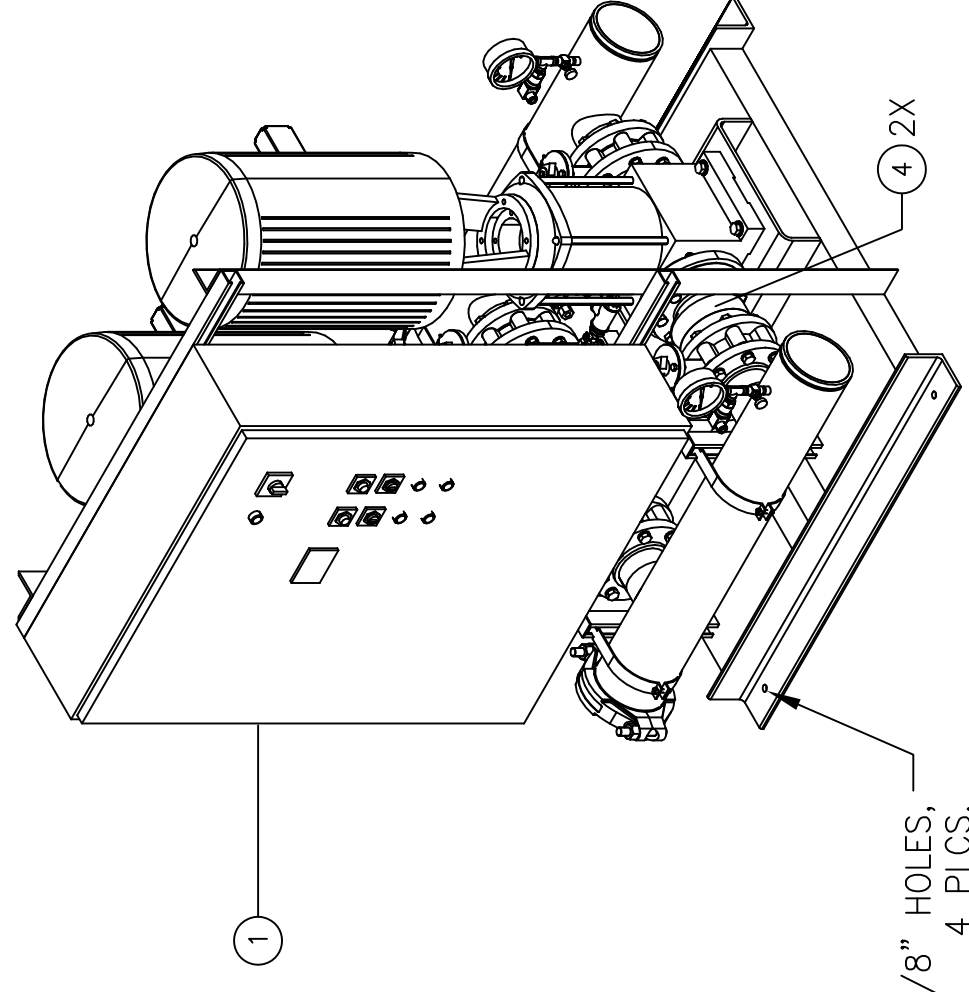
TOP VIEW



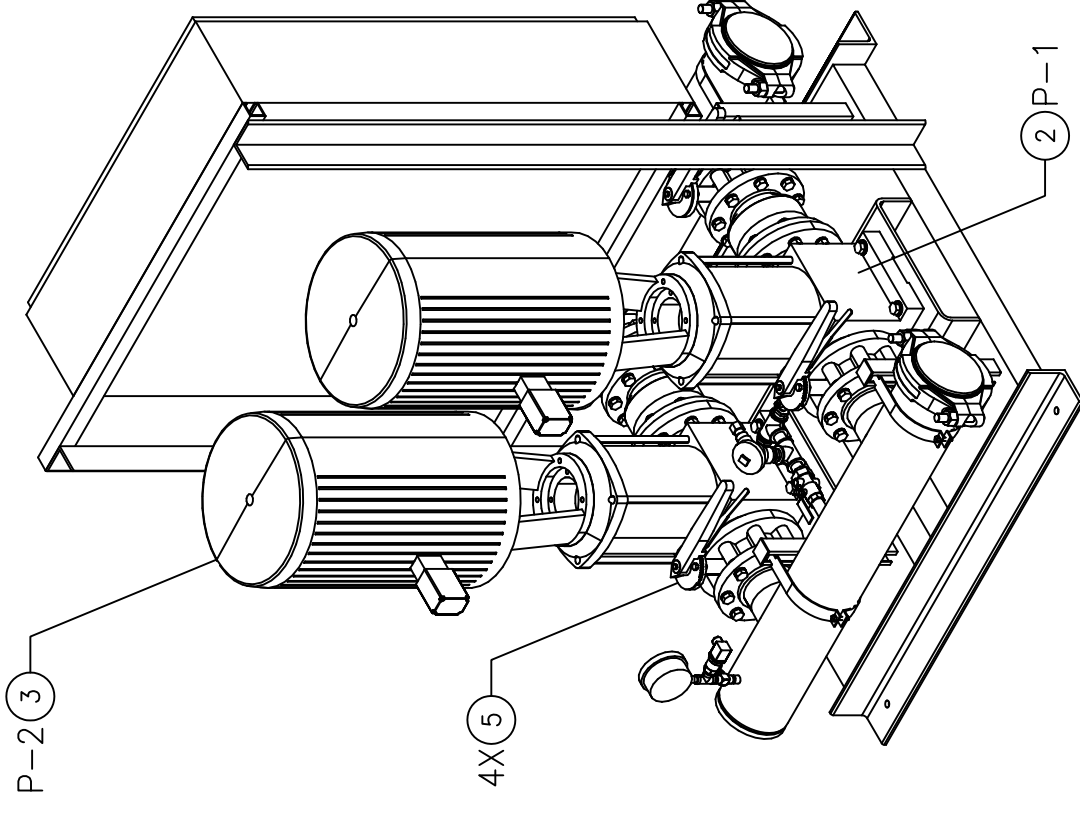
FRONT VIEW



RIGHT END VIEW



Ø5/8" HOLES,
4 PLCS.



RELIEF VALVES AND EQUIPMENT DRAINS TO BE PIPED TO DRAIN OR VENT BY CONTRACTOR PER CODE REQUIREMENT.

ALL BOLTING AND ANCHORAGE TO BE IN COMPLIANCE WITH LOCAL CODES AND ANY SEISMIC REQUIREMENTS.

CONSTRUCTION NOTES:

1. SUCTION AND DISCHARGE HEADERS ARE GROOVED ON BOTH ENDS.
2. END CAPS CAN BE PLACED ON EITHER END OF HEADERS.
3. SYSTEM DESIGNED FOR INDOOR INSTALLATION.

- GPM		- PSI		- PSI						
TOTAL FLOW		TOTAL DISCHARGE PRESSURE		AVAILABLE PRESSURE						
TOTAL SYSTEM CAPACITY										
3	P-2	GOULDS	ESV	66SVG-3	-	40	3500	-	-	
2	P-1	GOULDS	ESV	66SVG-3	-	40	3500	-	-	
ITEM	TAG	MANUFACTURER	SERIES	MODEL	GPM	TDH	HP	RPM	VOLTS/HZ/PH	ENCLOSURE

PUMP SCHEDULE

ITEM	QTY	TAG	DESCRIPTION
10	-	-	-
9	-	-	-
8	-	-	-
7	-	-	-
6	-	-	-
5	4	-	LUG TYPE BUTTERFLY VALVE - 4"
4	2	-	VAL-MATIC GLOBE CHECK VALVE - 4"
3	1	P-2	GOULDS ESV MULTISTAGE PUMP MODEL 66SVG-3
2	1	P-1	GOULDS ESV MULTISTAGE PUMP MODEL 66SVG-3
1	1	-	VARIABLE SPEED PUMP CONTROL PANEL

EQUIPMENT SCHEDULE

PROJECT NAME:	CHECKED BY:	APPROVED BY:
-	ACD	12/27/13
TOLERANCES UNLESS OTHERWISE SPECIFIED		
DEC: .500"	FRACTION: 1/2"	ANGLE: 5°
SCALE: 1" = 1'	SIZE: C	

PROJECT NAME:

-

CUSTOMER:

-

DRAWN BY DATE:

ACD 12/27/13

CHECKED BY:

12/27/13

APPROVED BY:

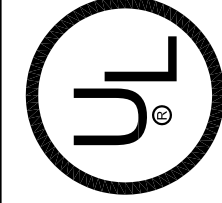
-

THIS DRAWING AND THE INFORMATION DEPICTED THEREIN IS THE PROPERTY OF FLOWTHERM SYSTEMS, A DIVISION OF CHC. COPIES ARE ISSUED IN STRICT CONFIDENCE AND SHALL NOT BE REPRODUCED, COPIED, OR SOLE AS THE BASIS FOR CONTRACTING OR SALE OF ANY PRODUCT WITHOUT PRIOR WRITTEN PERMISSION OF CHC.



LISTED

PACKAGED PUMPING SYSTEMS & HEAT TRANSFER SYSTEMS



APPROXIMATE SHIPPING WEIGHT: 2,514 LBS.
APPROXIMATE OPERATING WEIGHT: 2,641 LBS.

GENERAL NOTES:

- (1) SINGLE POINT POWER CONNECTION AT CONTROL PANEL.
- (2) HYDRO PRESSURE CHECK AT 125 PSI.
- (3) ASSEMBLED SYSTEM TO BE PAINTED WITH INDUSTRIAL MACHINE ENAMEL PRIOR TO SHIPMENT.

○ = DENOTES CONTRACTOR POINT OF CONNECTION



DRAWING TITLE:

VARIABLE SPEED DUPLEX PRESSURE BOOSTER

FAB No. -

DRAWING No. FMW2-21-FAB

REV 1