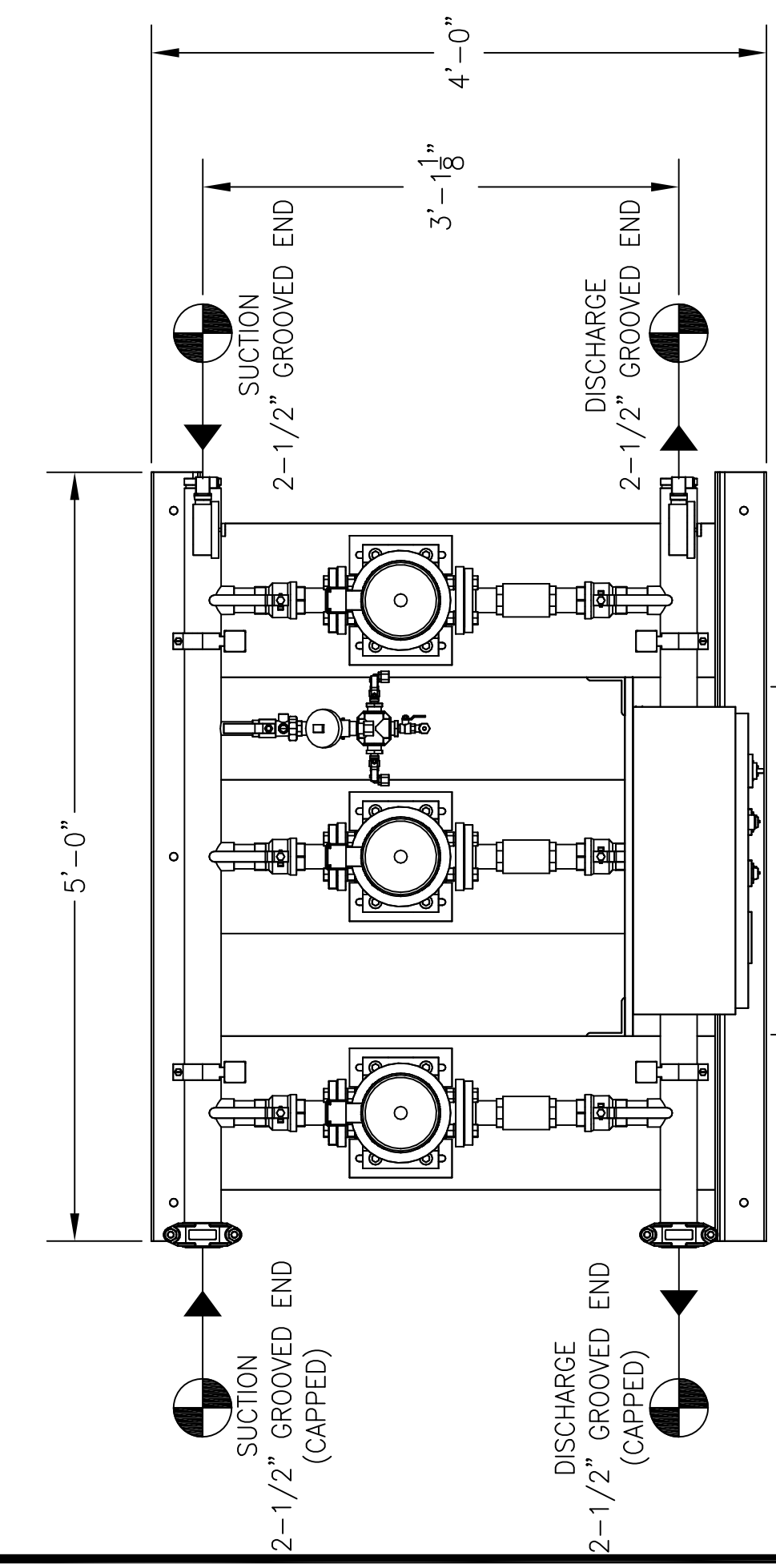
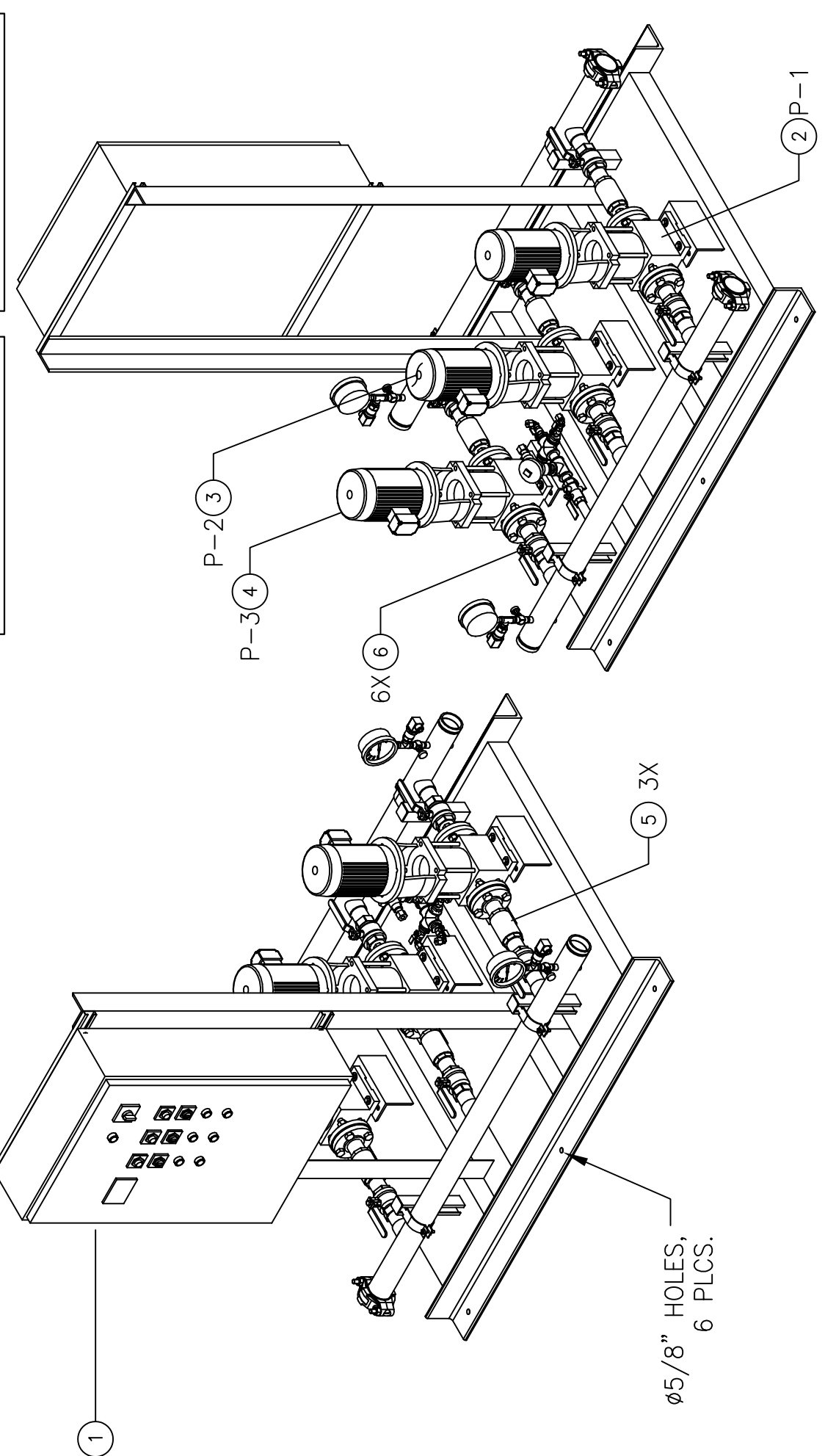
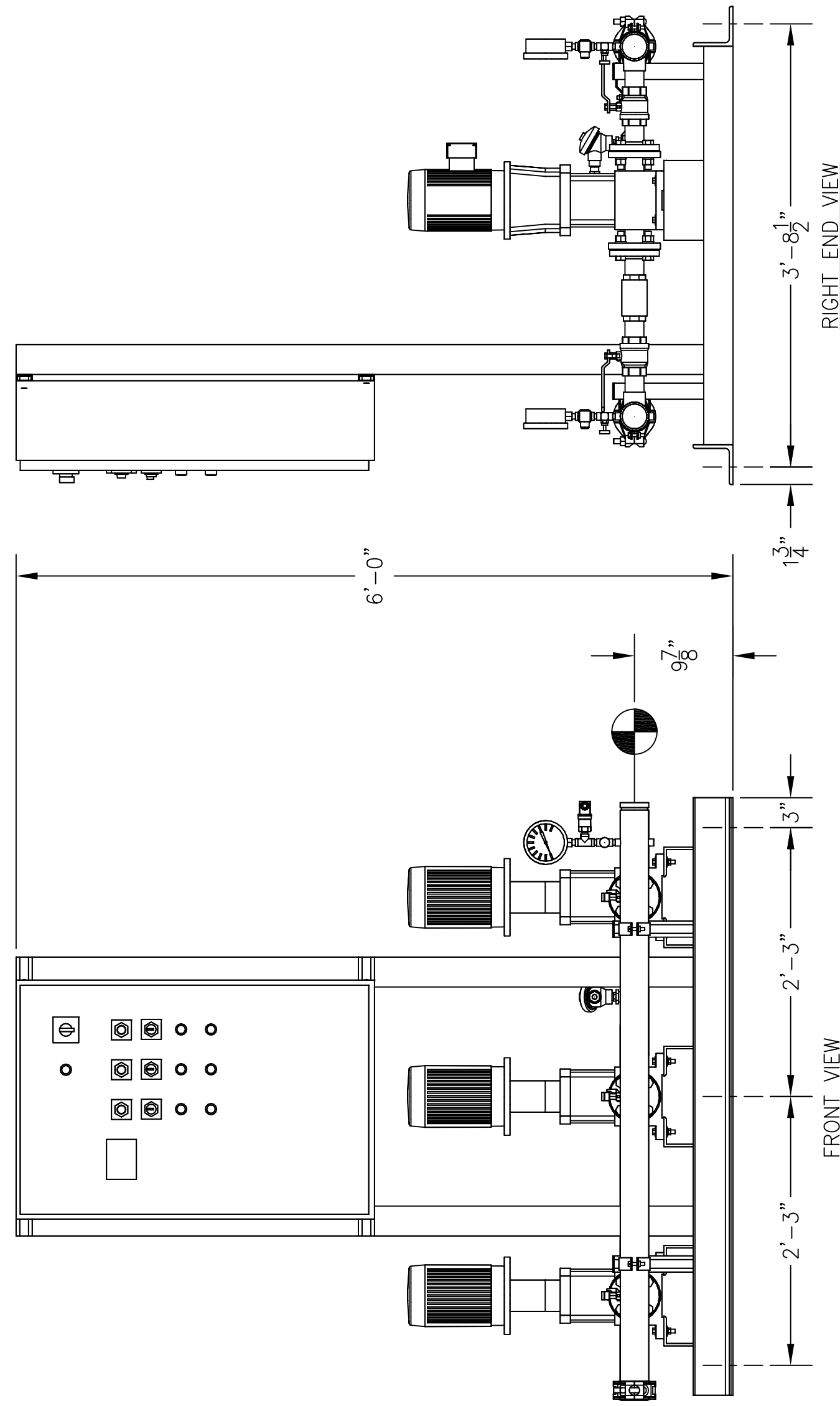


RELIEF VALVES AND EQUIPMENT DRAINS TO BE PIPED TO DRAIN OR VENT BY CONTRACTOR PER CODE REQUIREMENT.



42" SERVICE CLEARANCE REQUIRED IN FRONT OF CONTROL PANEL

TOP VIEW



FRONT VIEW

RIGHT END VIEW

CONSTRUCTION NOTES:

1. SUCTION AND DISCHARGE HEADERS ARE GROOVED ON BOTH ENDS.
2. END CAPS CAN BE PLACED ON EITHER END OF HEADERS.
3. SYSTEM DESIGNED FOR INDOOR INSTALLATION.

- GPM		- PSI		- PSI	
TOTAL FLOW	TOTAL DISCHARGE PRESSURE	TOTAL SYSTEM CAPACITY	AVAILABLE PRESSURE		

ITEM	TAG	MANUFACTURER	SERIES	MODEL	GPM	TDH	HP	RPM	VOLTS/HZ/PH	ENCLOSURE
4	P-3	GOULDS	ESV	5SVG-5	-	-	1.5	3500	-	-
3	P-2	GOULDS	ESV	5SVG-5	-	-	1.5	3500	-	-
2	P-1	GOULDS	ESV	5SVG-5	-	-	1.5	3500	-	-

PUMP SCHEDULE

ITEM	QTY	TAG	DESCRIPTION
10	-	-	-
9	-	-	-
8	-	-	-
7	-	-	-
6	6	-	BALL VALVE - 1-1/2"
5	3	-	DANFOSS FLOWMATIC CHECK VALVE - 1-1/2"
4	1	P-3	GOULDS ESV MULTI-STAGE PUMP MODEL 5SVG-5
3	1	P-2	GOULDS ESV MULTI-STAGE PUMP MODEL 5SVG-5
2	1	P-1	GOULDS ESV MULTI-STAGE PUMP MODEL 5SVG-5
1	1	-	VARIABLE SPEED PUMP CONTROL PANEL

GENERAL NOTES:

- (1) SINGLE POINT POWER CONNECTION AT CONTROL PANEL.
- (2) HYDRO PRESSURE CHECK AT 125 PSI.
- (3) ASSEMBLED SYSTEM TO BE PAINTED WITH INDUSTRIAL MACHINE ENAMEL PRIOR TO SHIPMENT.

⊕ = DENOTES CONTRACTOR POINT OF CONNECTION

THIS DRAWING AND THE INFORMATION DEPICTED THEREIN IS THE PROPERTY OF FLOWTHERM SYSTEMS, A DIVISION OF CHC. COPIES ARE ISSUED IN STRICT CONFIDENCE AND SHALL NOT BE REPRODUCED, COPIED, OR SOLD AS THE PROPERTY OF CHC. FOR ANY OTHER PRODUCT WITHOUT PRIOR WRITTEN PERMISSION OF CHC.

PROJECT NAME:

CUSTOMER:

DRAWN BY DATE: 02/11/14

CHECKED BY APPROVED BY

UL LISTED
PACKAGED PUMPING SYSTEMS & HEAT TRANSFER SYSTEMS

APPROXIMATE SHIPPING WEIGHT: 921 LBS.
APPROXIMATE OPERATING WEIGHT: 957 LBS.

TOLERANCES UNLESS OTHERWISE SPECIFIED

DEC: .500" FRAC: 1/2" ANGLE: 5' SCALE: 1" = 1'

DRAWING TITLE:

FW3-1 VARIABLE SPEED TRIPLEX PRESSURE BOOSTER

FlowTHERM systems
HAYWARD, CALIFORNIA

DRAWING NO. FAB NO. REV
FW3-1-FAB - 1