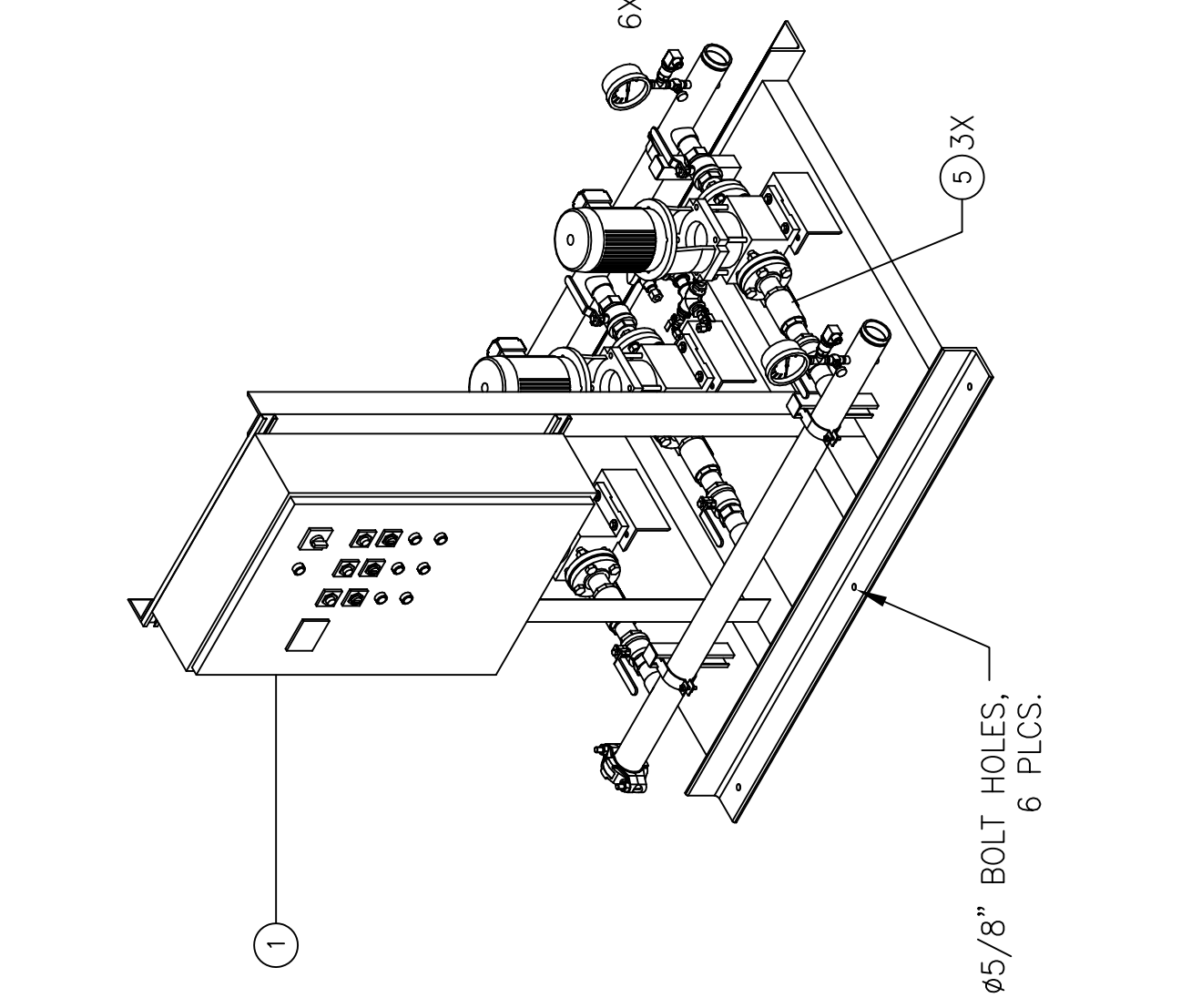
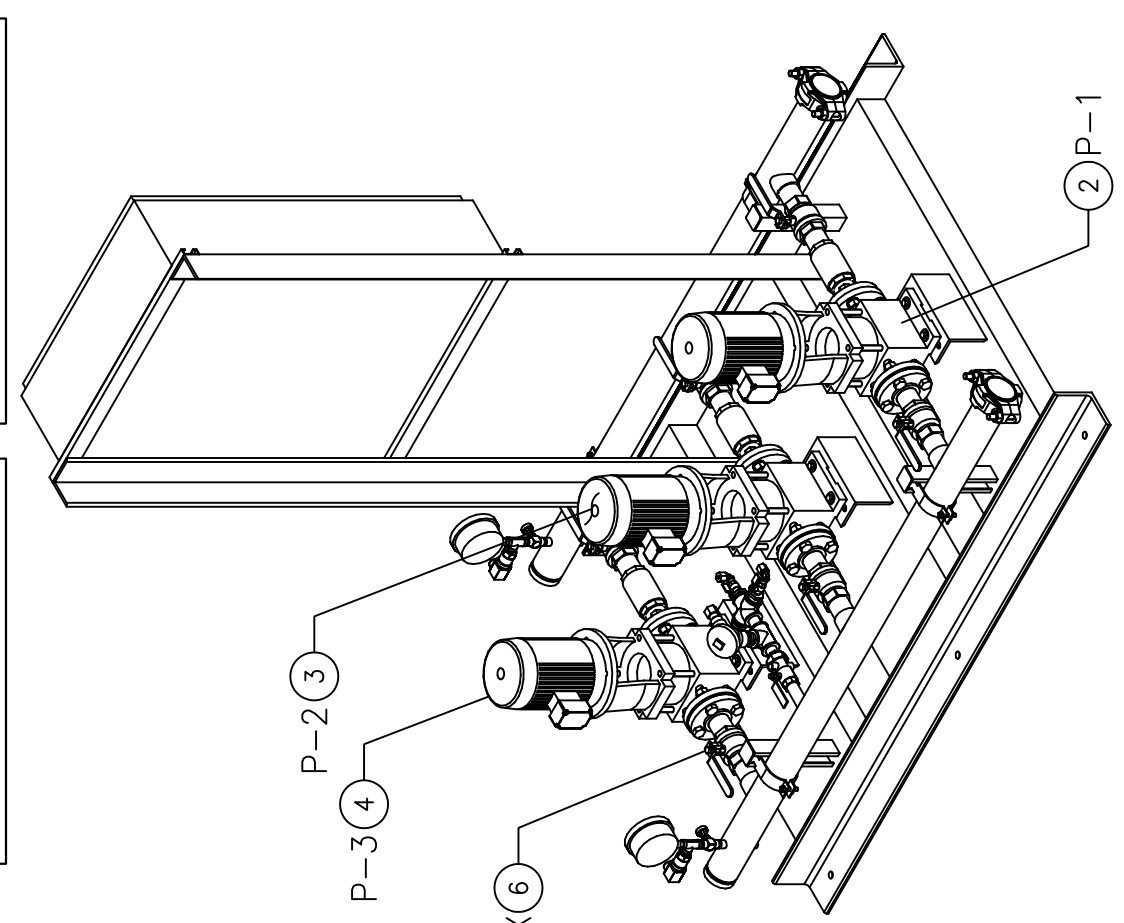
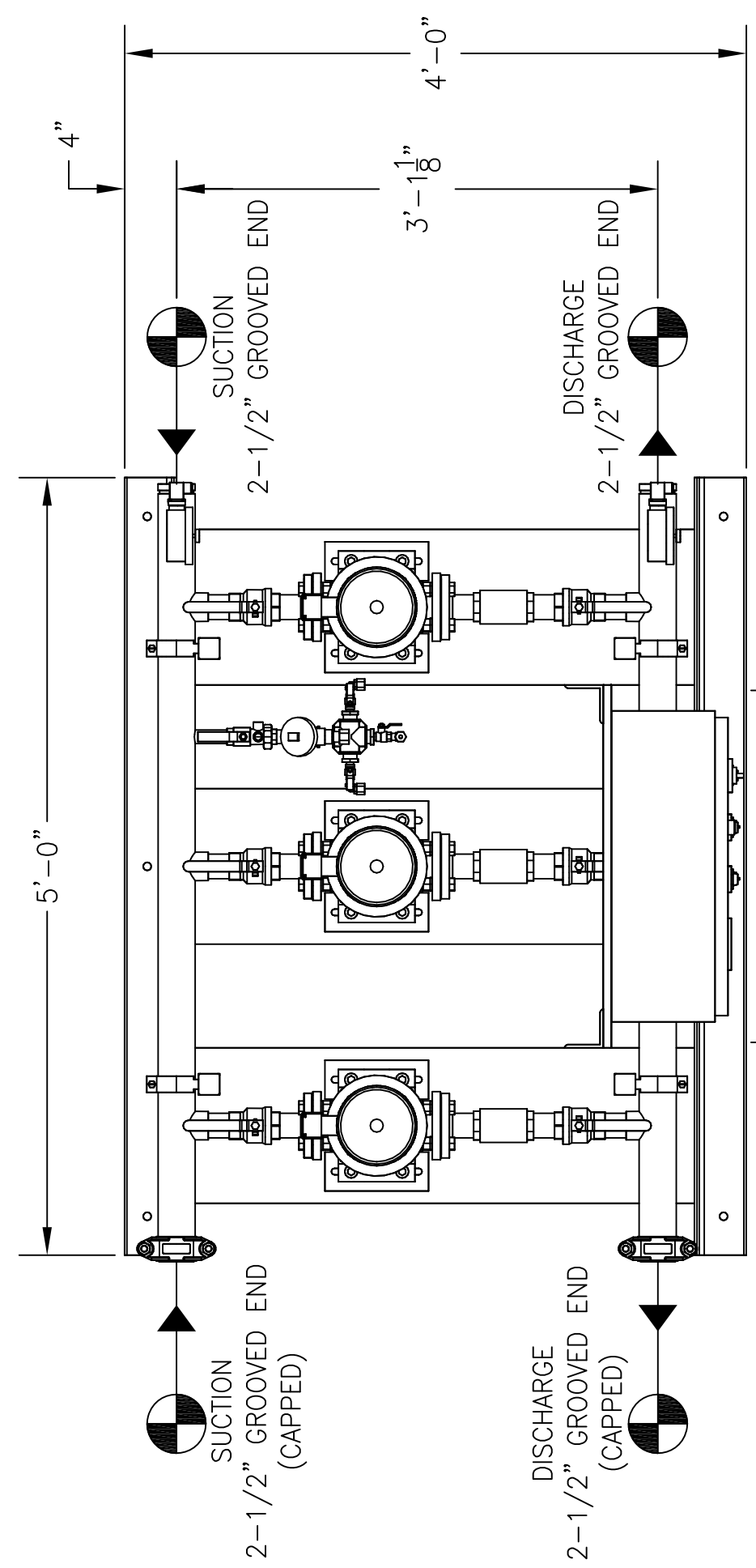


RELIEF VALVES AND EQUIPMENT DRAINS TO BE PIPIED TO DRAIN OR VENT BY CONTRACTOR PER CODE REQUIREMENT.

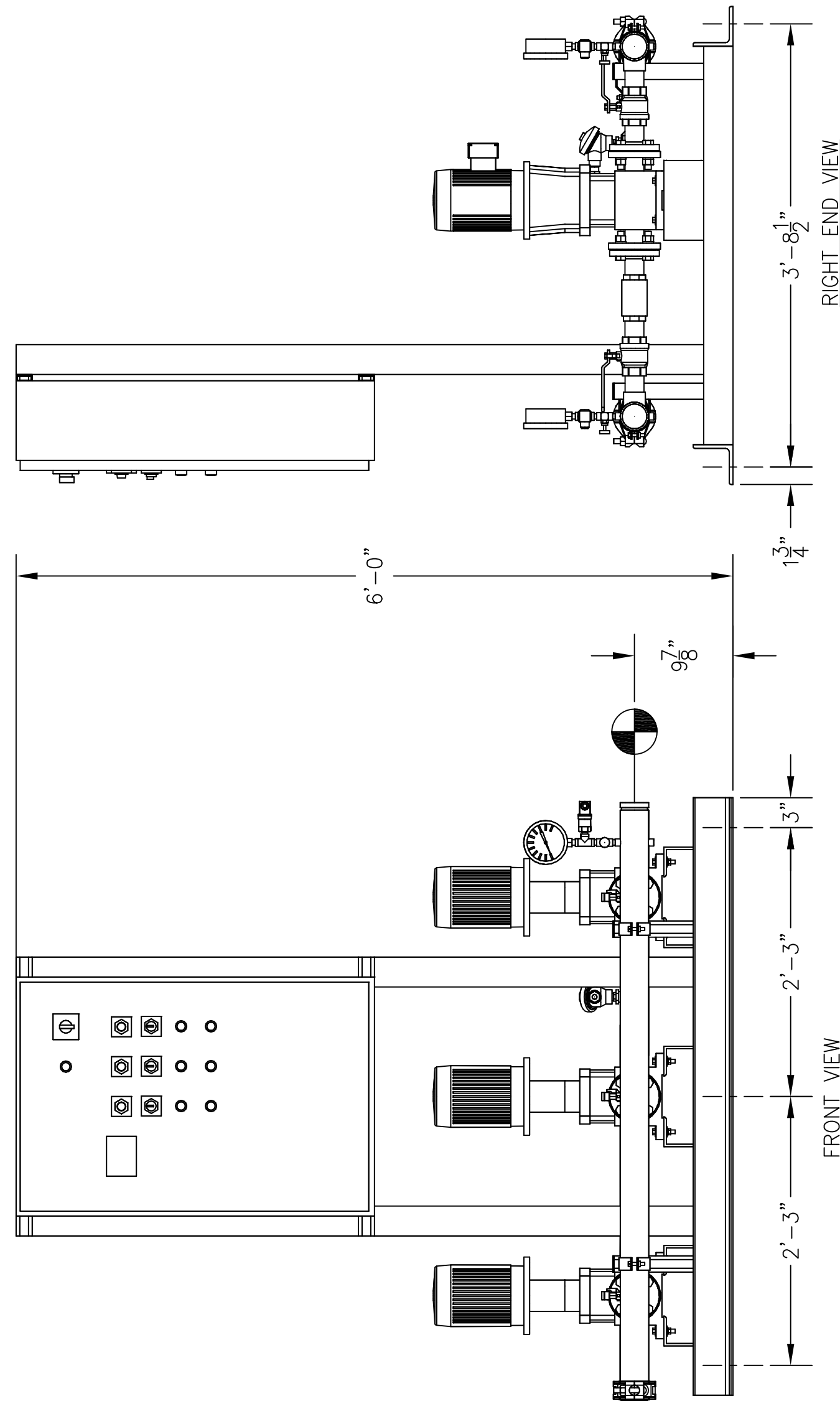


ø5/8" BOLT HOLES, 6 PLCS.



42" SERVICE CLEARANCE REQUIRED IN FRONT OF CONTROL PANEL

TOP VIEW



FRONT VIEW

RIGHT END VIEW

CONSTRUCTION NOTES:

1. SUCTION AND DISCHARGE HEADERS ARE GROOVED ON BOTH ENDS.
2. END CAPS CAN BE PLACED ON EITHER END OF HEADERS.
3. SYSTEM DESIGNED FOR INDOOR INSTALLATION.

- GPM		- PSI		- PSI	
TOTAL FLOW	TOTAL DISCHARGE PRESSURE	TOTAL DISCHARGE PRESSURE	AVAILABLE PRESSURE	TOTAL SYSTEM CAPACITY	AVAILABLE PRESSURE

ITEM	TAG	MANUFACTURER	SERIES	MODEL	GPM	TDH	HP	RPM	VOLTS/HZ/PH	ENCLOSURE
4	P-3	GOULDS	ESV	5SVG-3	-	-	1	3500	-	-
3	P-2	GOULDS	ESV	5SVG-3	-	-	1	3500	-	-
2	P-1	GOULDS	ESV	5SVG-3	-	-	1	3500	-	-

PUMP SCHEDULE

ITEM	QTY	TAG	DESCRIPTION
10	-	-	-
9	-	-	-
8	-	-	-
7	-	-	-
6	6	-	BALL VALVE - 1-1/2"
5	3	-	DANFOSS FLOWMATIC CHECK VALVE - 1-1/2"
4	1	P-3	GOULDS ESV MULTI-STAGE PUMP MODEL 5SVG-3
3	1	P-2	GOULDS ESV MULTI-STAGE PUMP MODEL 5SVG-3
2	1	P-1	GOULDS ESV MULTI-STAGE PUMP MODEL 5SVG-3
1	1	-	VARIABLE SPEED PUMP CONTROL PANEL

EQUIPMENT SCHEDULE

FlowTHERM systems
HAYWARD, CALIFORNIA

DRAWING TITLE: VARIABLE SPEED TRIPLEX PRESSURE BOOSTER

DRAWING No. FMV3-1LH-FAB

REV 1

PROJECT NAME: -

CUSTOMER: -

DRAWN BY DATE: -

ACD 02/11/14

CHECKED BY APPROVED BY: -

TOLERANCES UNLESS OTHERWISE SPECIFIED

DEC. .500" FRAC. 1/2" ANGLE 5' SCALE 1" = 1'

THIS DRAWING AND THE INFORMATION DEPICTED THEREIN IS THE PROPERTY OF FLOWTHERM SYSTEMS. A DIVISION OF CHC. COPIES ARE ISSUED IN STRICT CONFIDENCE AND SHALL NOT BE REPRODUCED, COPIED, OR SOLD AS THE PROPERTY OF FLOWTHERM SYSTEMS OR CHC. PRODUCT WITHOUT PRIOR WRITTEN PERMISSION OF CHC.

APPROXIMATE SHIPPING WEIGHT: 894 LBS.

APPROXIMATE OPERATING WEIGHT: 931 LBS.

UL LISTED

PACKAGED PUMPING SYSTEMS & HEAT TRANSFER SYSTEMS

GENERAL NOTES:

- (1) SINGLE POINT POWER CONNECTION AT CONTROL PANEL.
- (2) HYDRO PRESSURE CHECK AT 125 PSI.
- (3) ASSEMBLED SYSTEM TO BE PAINTED WITH INDUSTRIAL MACHINE ENAMEL PRIOR TO SHIPMENT.

○ = DENOTES CONTRACTOR POINT OF CONNECTION